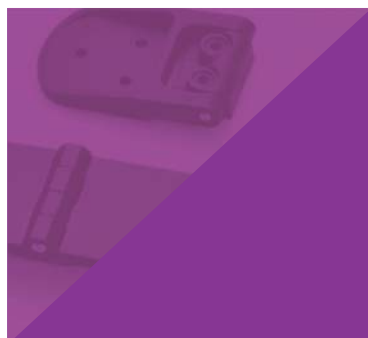


HINGES



SIDE HINGES

GROUP CODE	PRODUCT NAME
090	SIDE HINGE (10 MM)
091	SIDE HINGE (12 MM)
092	SIDE HINGE (12 MM)
192	SIDE HINGE (12 MM)
093	SIDE HINGE (16 MM)
193	SIDE HINGE (16 MM)
793	SIDE HINGE
893	SIDE HINGE
191	SIDE HINGE
1093	SIDE HINGE
993	SIDE HINGE
1193	SIDE HINGE
293	SIDE HINGE
393	SIDE HINGE
493	SIDE HINGE
593	SIDE HINGE
693	SIDE HINGE



PAGE

286

286

286

287

287

287

288

289

290

291

292

293

294

294

295

296

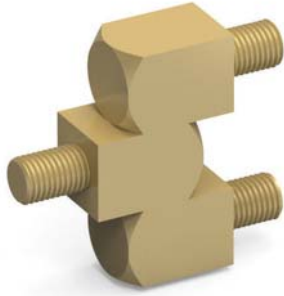
297



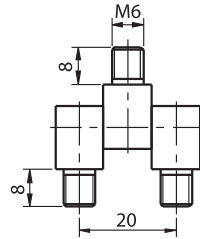
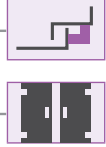
SIDE HINGES

SIDE HINGE (10 mm bar)

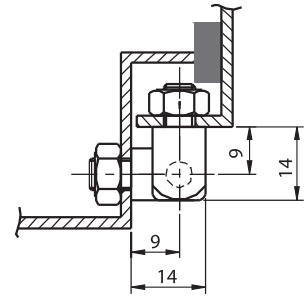
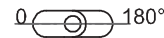
090



RoHS



Hinge Rotation Angle



- Side-mounted hinge
- Hinge supplied in a unassembled state. For different dimensions contact Essentra

MATERIAL	M
Brass	3

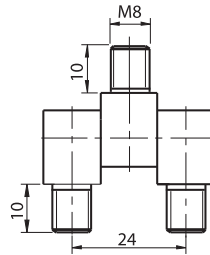
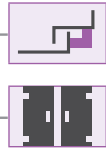
FINISH	F
No finish	0
Nickel	4

SIDE HINGE (12 mm bar)

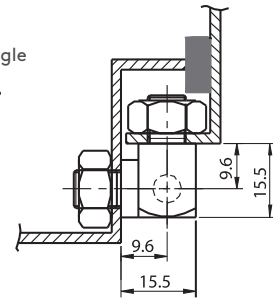
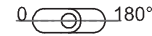
091



RoHS



Hinge Rotation Angle



- Side-mounted hinge
- Hinge supplied in a unassembled state. For different dimensions contact Essentra Components

MATERIAL	M
Brass	3

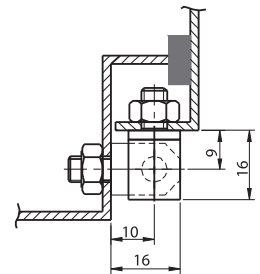
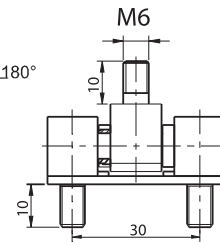
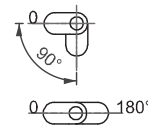
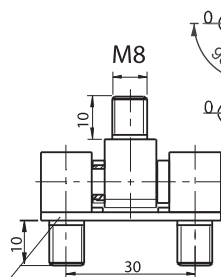
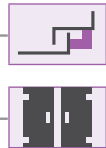
FINISH	F
No finish	0
Nickel	4

SIDE HINGE (12 mm bar)

092



RoHS



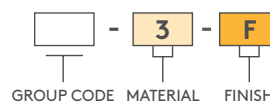
M8 → 092 M-F- 8-90°
092 M-F- 8-180°

M6 → 092 M-F- 6-90°
092 M-F- 6-180°

Fixing plate

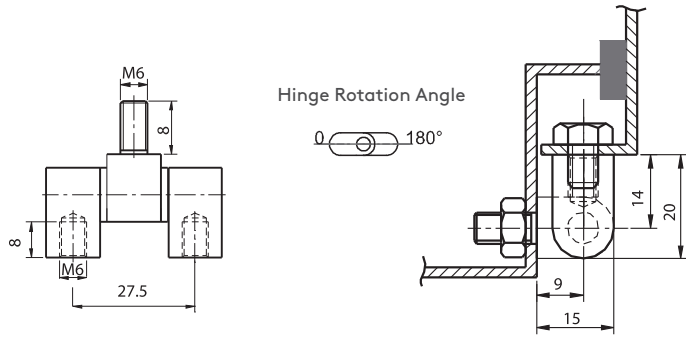
- Stainless steel version: page 516
- Side-mounted hinge
- Brass 12 mm parts and bearings
- Parts are assembled by fixing plate. For different dimensions contact Essentra Components
- 90° and 180° angle versions are available

PRODUCT CODE



MATERIAL	M
Brass	3

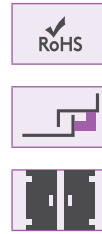
FINISH	F
No finish	0
Chrome	1



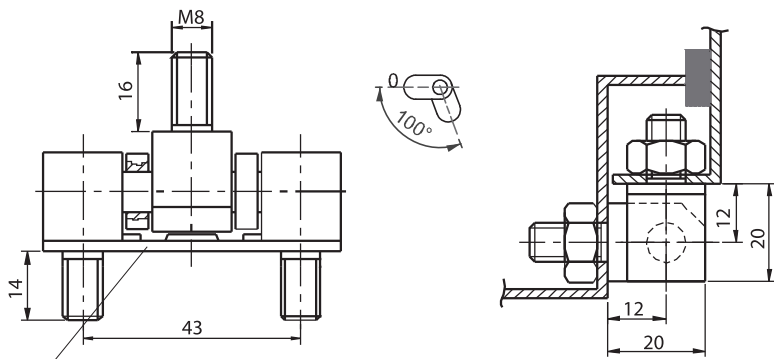
MATERIAL	M	FINISH	F
Brass	3	Chrome	1

192

SIDE HINGE (12 mm bar)



- Side-mounted hinge
- Brass 12 mm parts and bearings
- Parts tightly fitted

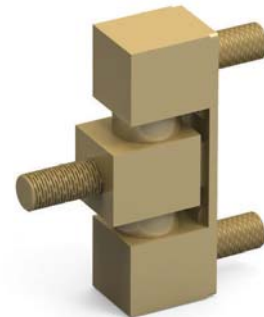


Fixing plate

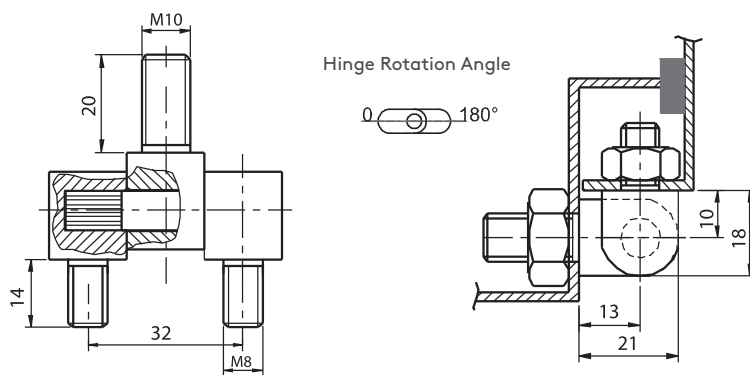
MATERIAL	M	FINISH	F
Brass	3	No finish	0
		Chrome	1

093

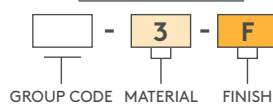
SIDE HINGE (16 mm bar)



- Side-mounted hinge
- Brass 16 mm parts and bearings
- Parts assembled by fixing plate



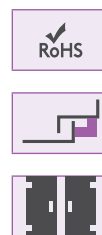
PRODUCT CODE



MATERIAL	M	FINISH	F
Brass	3	Chrome	1

193

SIDE HINGE (16 mm bar)



- Stainless steel version: page 517
- Side-mounted hinge
- Brass 16 mm parts
- Parts tightly fitted

SIDE HINGES

SIDE HINGE

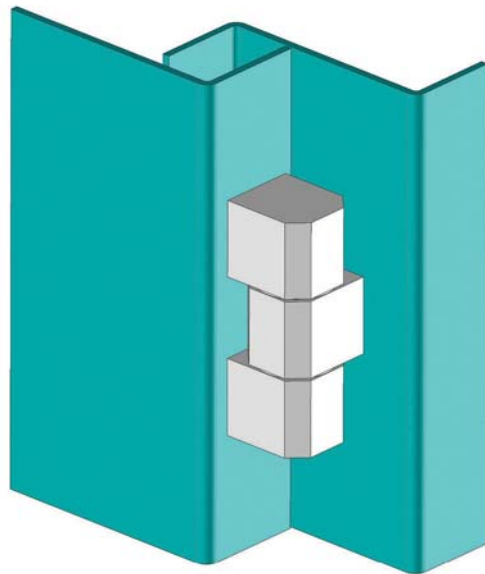
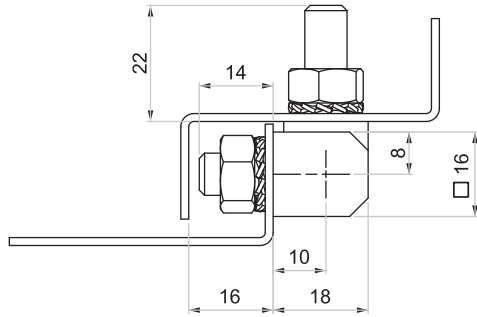
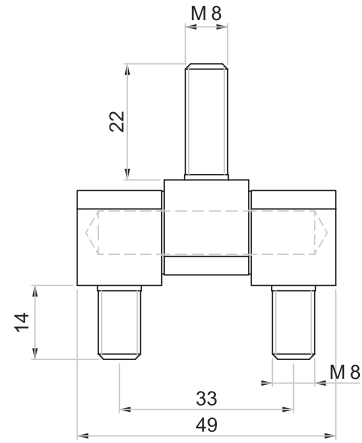
793



- For medium voltage and heavy door panels
- Hinge parts produced from steel

MATERIAL
Steel

FINISH
Zinc plated



Hinge Rotation Angle



⚠ Note: Nuts and washers are not supplied.

PRODUCT CODE

793 - 6 - 3

GROUP CODE MATERIAL FINISH

MATERIAL	M	FINISH	F
Steel	6	Zinc plated	3



893

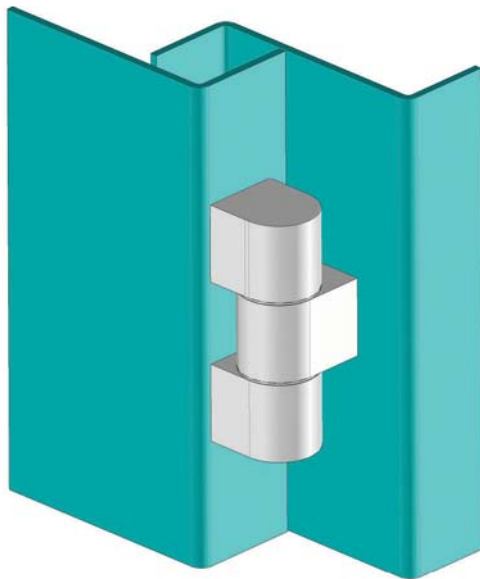
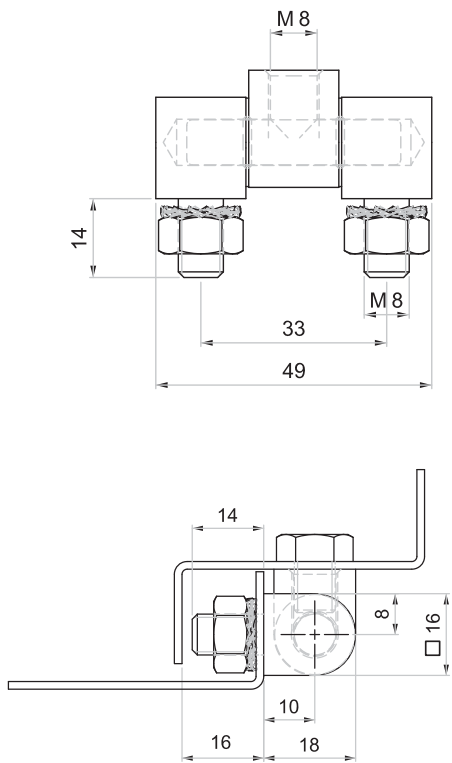
SIDE HINGE



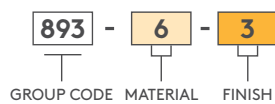
- For medium voltage and heavy door panels
- Assembled using special screws (supplied)
- Hinge supplied in a unassembled state

MATERIAL
C45 Steel, hardened

FINISH
Zinc plated

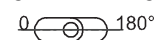


PRODUCT CODE



MATERIAL	M	FINISH	F
Steel	6	Zinc plated	3

Hinge Rotation Angle

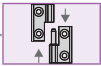


⚠ Note: Nuts and washers are not supplied.

SIDE HINGES

SIDE HINGE (10 mm)

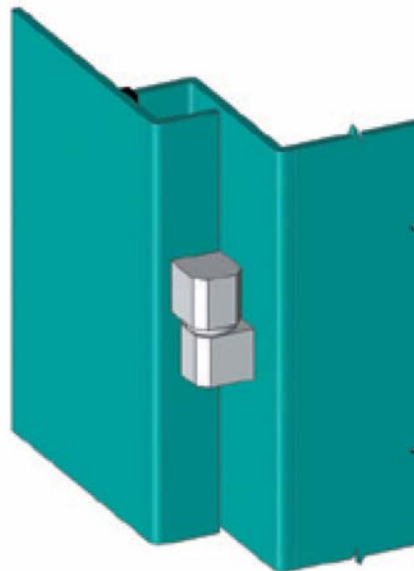
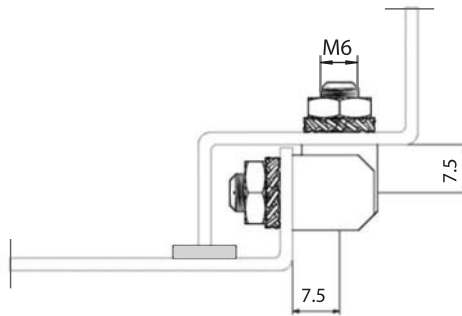
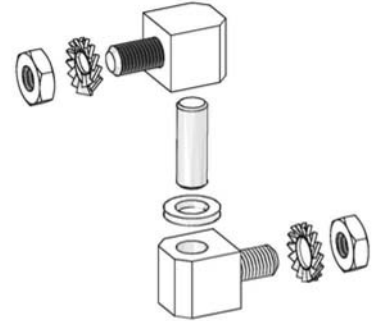
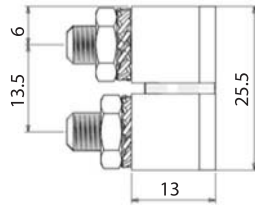
191



- Side-mounted hinge
- Steel 12 mm parts

MATERIAL
Steel

FINISH
Zinc plated

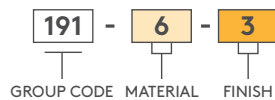


Hinge Rotation Angle



Note: Nuts and washers are supplied.

PRODUCT CODE





1093

SIDE HINGE



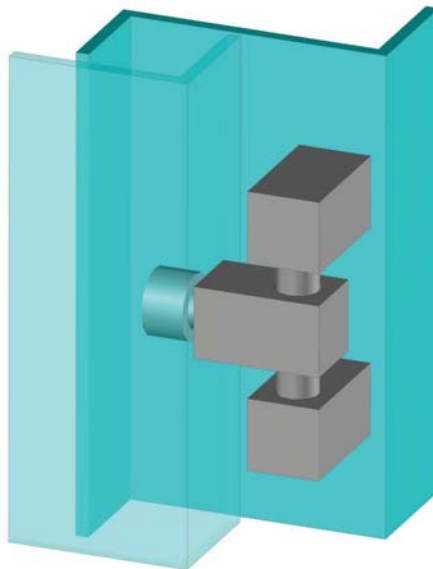
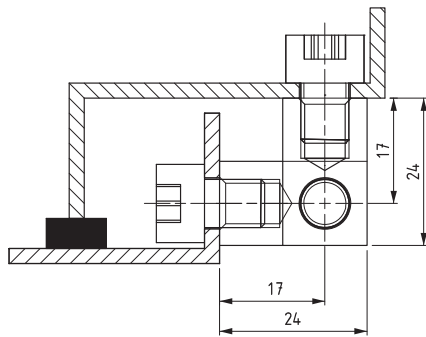
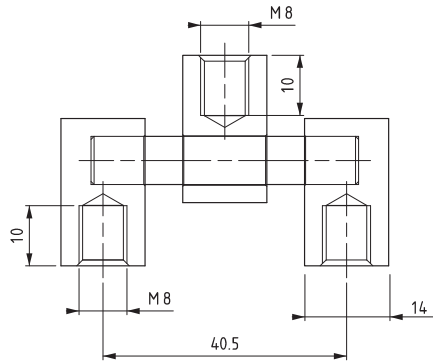
- Side-mounted hinge
- Pin Length can be modified
- For different length contact Essentra Components

MATERIAL

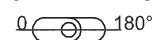
BODY: Brass
PIN: Steel

FINISH

Chrome Plated



Hinge Rotation Angle



PRODUCT CODE

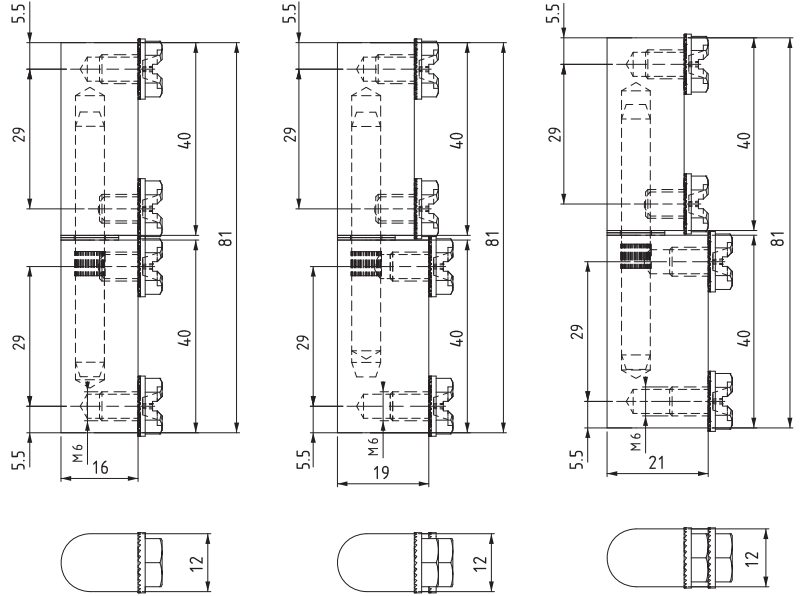
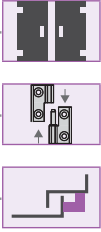
1093 - 3 - 1

GROUP CODE MATERIAL FINISH

SIDE HINGES

SIDE HINGE

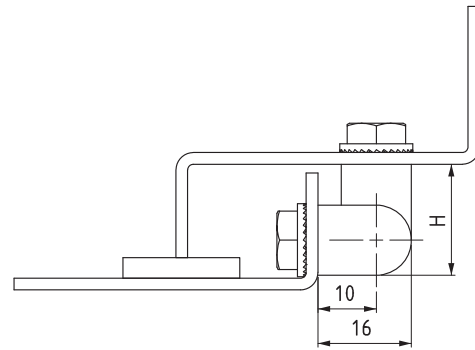
993



- Side-mounted hinge
- Brass 12 mm parts

MATERIAL
Brass

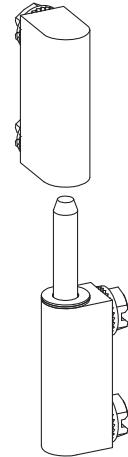
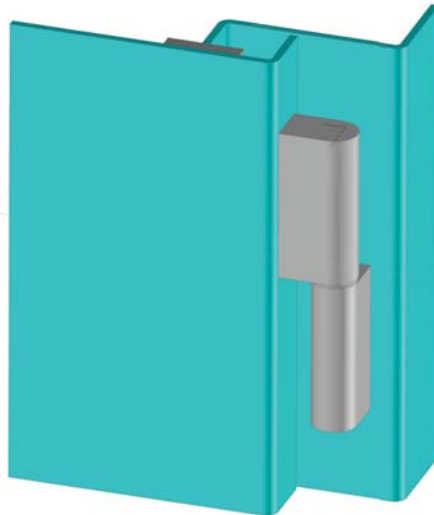
FINISH
Chrome plated



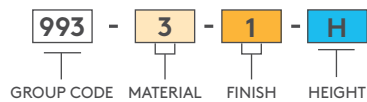
H
16
19
21

⚠ Note: Bolts are supplied

Hinge Rotation Angle



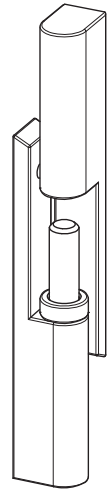
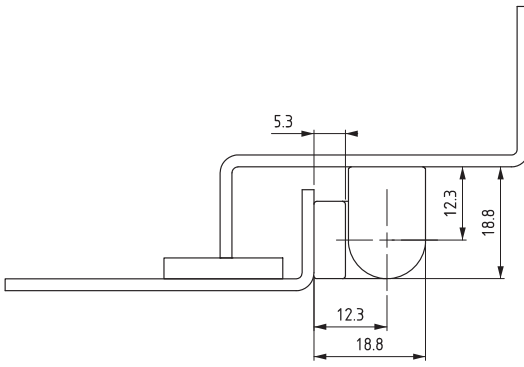
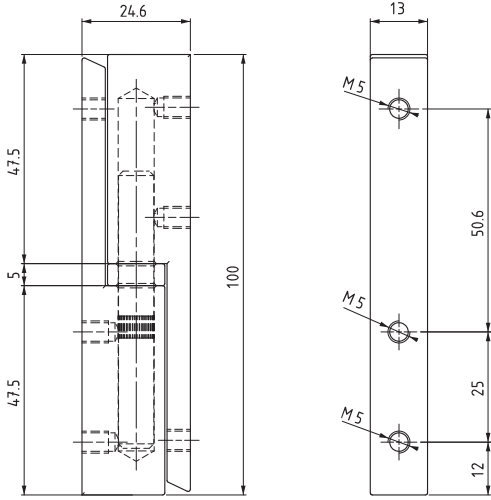
PRODUCT CODE





1193

SIDE HINGE



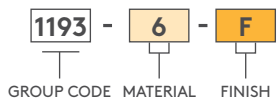
MATERIAL
 BODY: Steel
 PIN: Stainless Steel

FINISH
 Chrome or black coated

Note: Bolts are not supplied

Hinge Rotation Angle
 0° - 180°

PRODUCT CODE

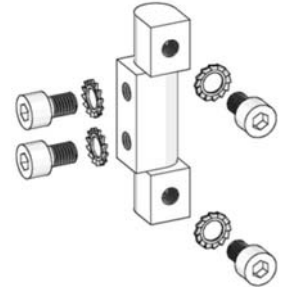
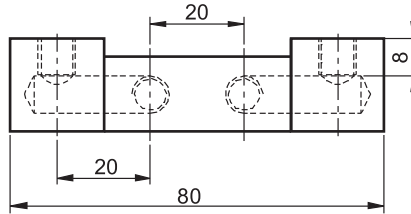


MATERIAL		M	FINISH		F
Steel		6	No finish		0
			Chrome		1
			Black coated		2

SIDE HINGES

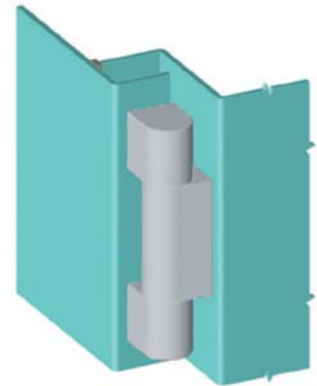
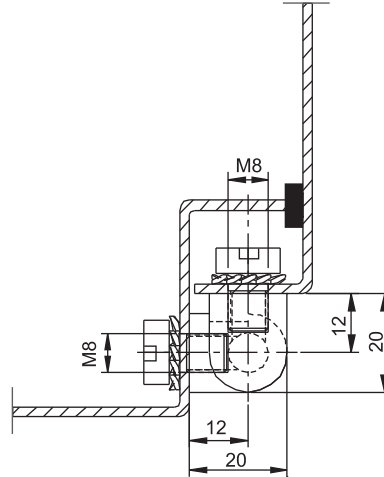
SIDE HINGE

393



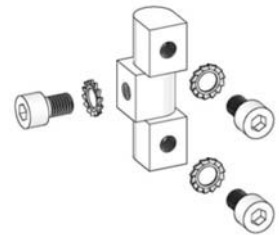
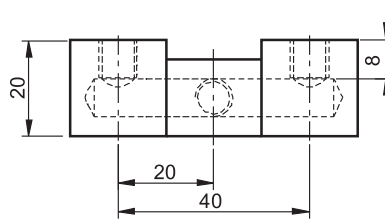
- For medium voltage and heavy door panels
- Chrome-plated brass
- Assembled using special screws (supplied)
- Parts supplied separately

MATERIAL
BRASS: DIN 17672 CuZn39Pb3



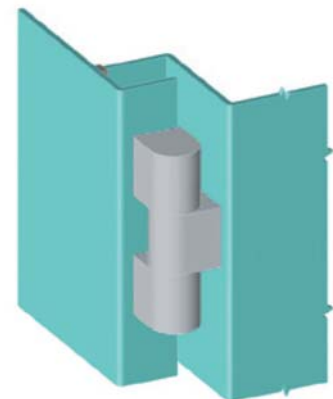
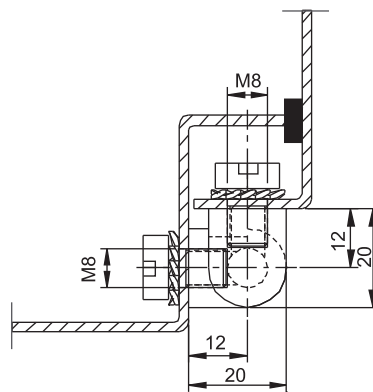
SIDE HINGE

293



- For medium voltage and heavy door panels
- Chrome-plated brass
- Assembled using special screws (supplied)
- Parts supplied separately

MATERIAL
BRASS: DIN 17672 CuZn39Pb3

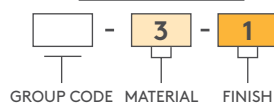


Hinge Rotation Angle



⚠ Note: Bolts and washers are supplied

PRODUCT CODE



MATERIAL	M	FINISH	F
Brass	3	Chrome	1

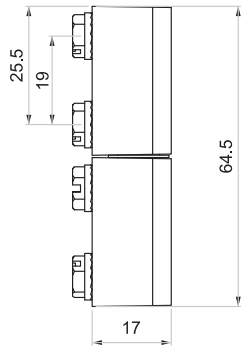


493

SIDE HINGE

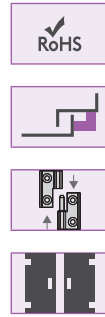
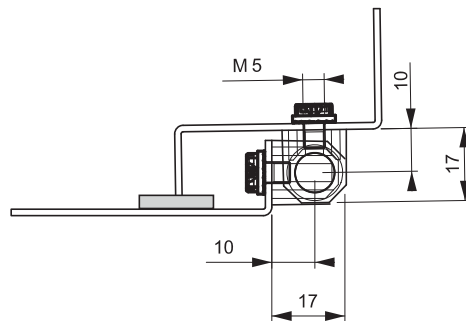
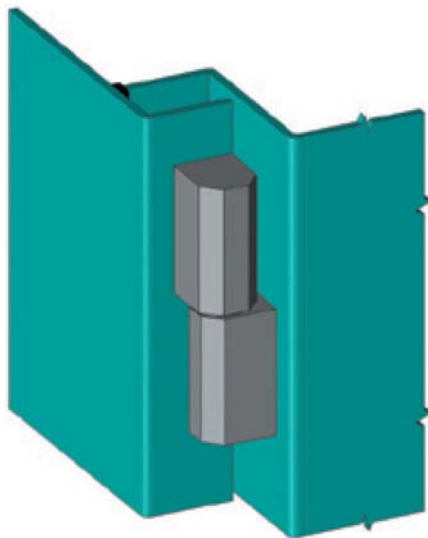
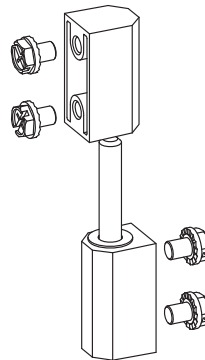
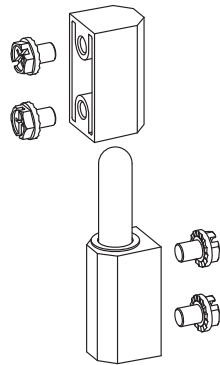
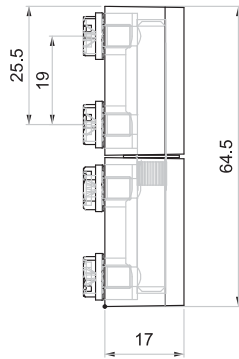
V : 1

Fixed Zinc Alloy pin



V : 2

Stainless steel pin

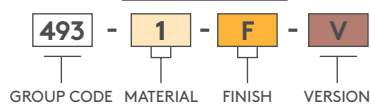


- Lift-off hinge
- Suitable for left- and right-hand applications
- Maximum hinge rotation 180°
- For heavy doors, version 2 is recommended due to its stainless steel properties

MATERIAL

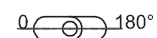
Zinc Alloy DIN-EN 1774-ZnAl4Cu1
 PIN: V1: Zinc Alloy DIN-EN 1774-ZnAl4Cu1
 PIN: V2: Stainless Steel

PRODUCT CODE



MATERIAL	M	FINISH	F
Zinc Alloy	1	Chrome	1
		Black coated	2

Hinge Rotation Angle

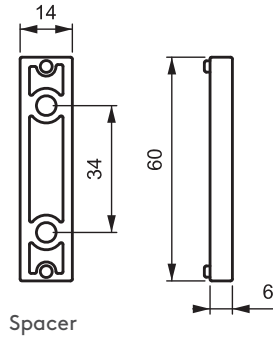
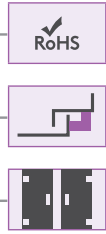


Note: Bolts are supplied

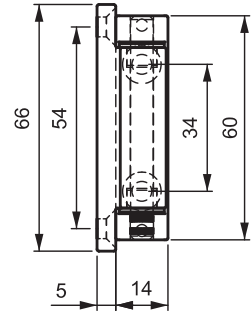
SIDE HINGES

SIDE HINGE

593



Spacer



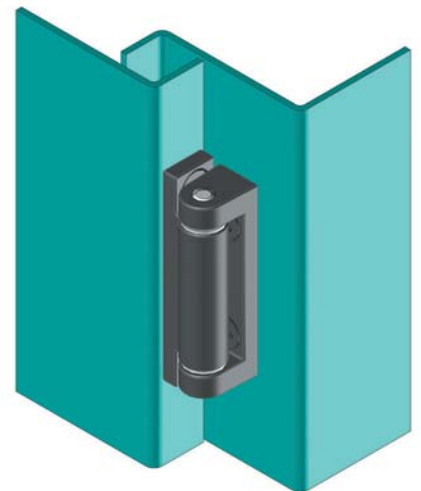
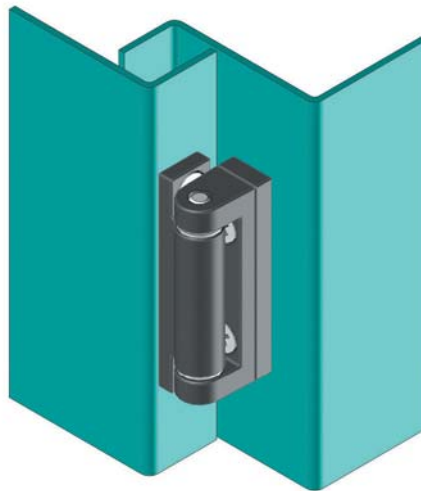
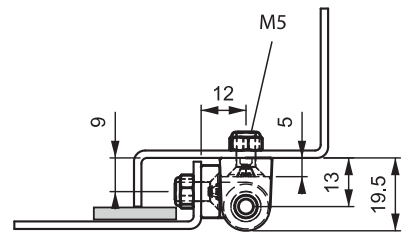
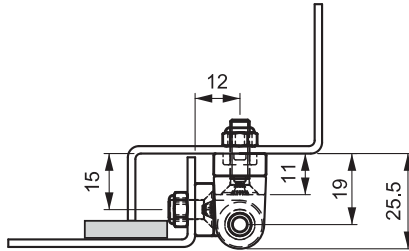
Standard version

- Spacer bar available for different dimensions
- Stainless steel hinge pin

MATERIAL
Zinc Alloy DIN-EN 1774-ZnAl4Cu1
PIN: Stainless Steel

Spacer version
593 1-F-25

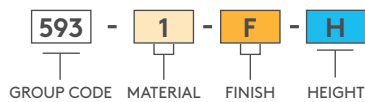
593 1-F-19



Hinge Rotation Angle
0° - 180°

Note: Bolts are not supplied

PRODUCT CODE



MATERIAL		FINISH	
Zinc Alloy	1	Chrome	1
		Black coated	2



693

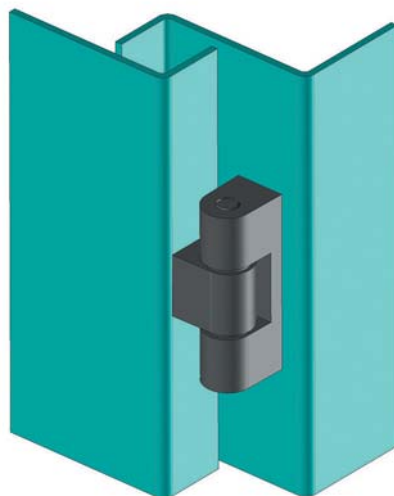
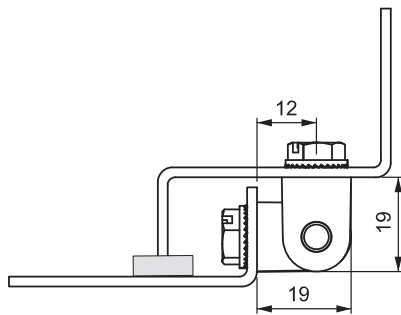
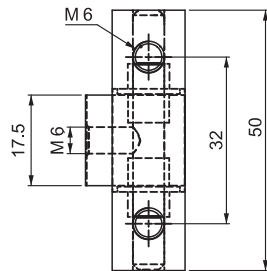
SIDE HINGE



- Side-mounted hinge
- Stainless steel hinge pin
- Supplied assembled

MATERIAL

Zinc Alloy DIN-EN 1774-ZnAl4Cu1
PIN: Stainless Steel



PRODUCT CODE

693 - 1 - F

GROUP CODE MATERIAL FINISH

MATERIAL	M	FINISH	F
Zinc Alloy	1	Chrome	1
		Black coated	2

Hinge Rotation Angle



HINGES

CONCEALED HINGES

GROUP CODE	PRODUCT NAME
094	CONCEALED HINGE
194	CONCEALED HINGE
096	CONCEALED HINGE
296	CONCEALED HINGE
196	CONCEALED HINGE
1495	CONCEALED HINGE
095	CONCEALED HINGE
195	CONCEALED HINGE
295	CONCEALED HINGE
395	CONCEALED HINGE
695	CONCEALED HINGE
795	CONCEALED HINGE
1795	CONCEALED HINGE
895	CONCEALED HINGE
1095	CONCEALED HINGE
995	CONCEALED HINGE
1995	CONCEALED HINGE
595	CONCEALED HINGE
189	SPRING LOADED
389	SPRING LOADED
089	SPRING LOADED
289	CONCEALED HINGE
394	CONCEALED HINGE
294	CONCEALED HINGE



PAGE

300

301

302 - 303

304 - 305

306

307

308 - 309

310 - 311

312 - 313

314 - 315

316 - 317

318

319

320

321

322 - 323

324

325, 332

326

327

328

329

330

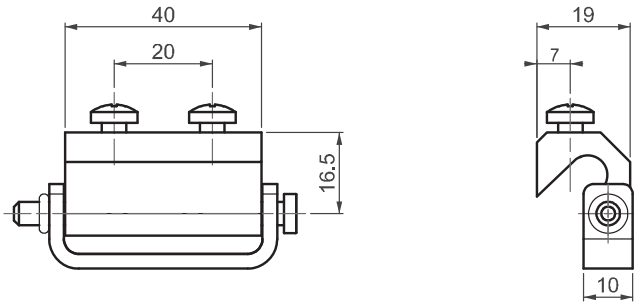
331



CONCEALED HINGES

CONCEALED HINGE

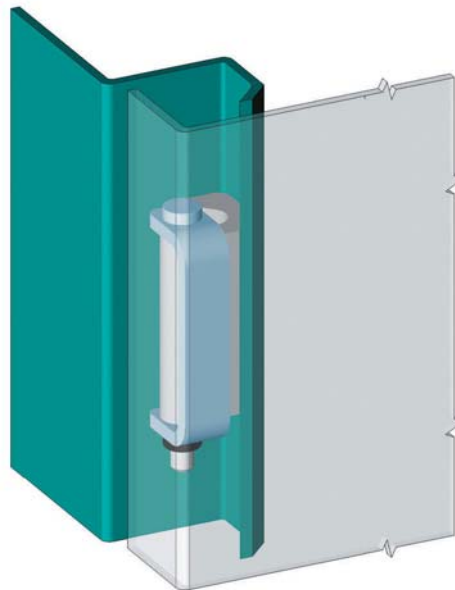
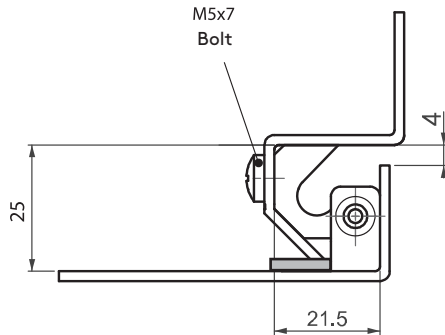
094



- For 25 mm folded doors
- Middle part copper plated for easy welding

MATERIAL
 BODY: Zinc Alloy DIN-EN 1774-ZnAl4Cu1 or Aluminium
 FIXED PART: Steel

FINISH
 BODY: Zinc plated
 FIXED PART: Copper plated



Hinge Rotation Angle

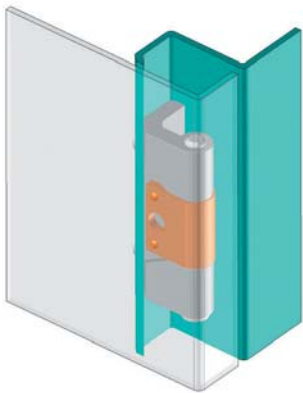


⚠ Note: Bolts are supplied

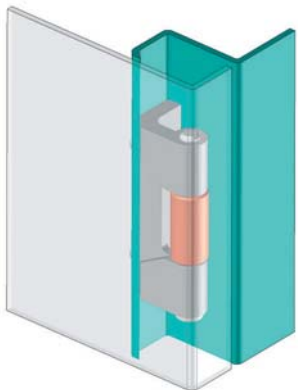
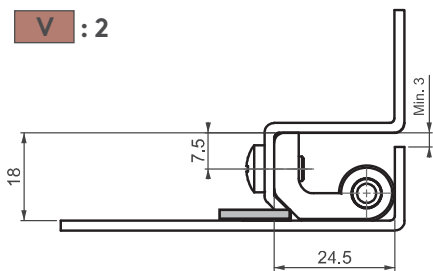
PRODUCT CODE

094 - M - F
 GROUP CODE MATERIAL FINISH

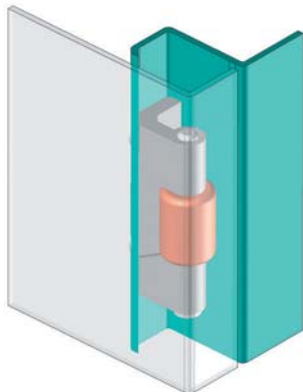
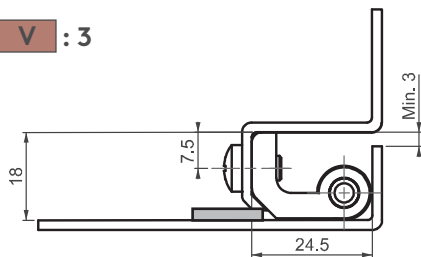
MATERIAL	M	FINISH	F
Zinc Alloy	1	Zinc Plated	3
Aluminium	5	Matte anodized	7



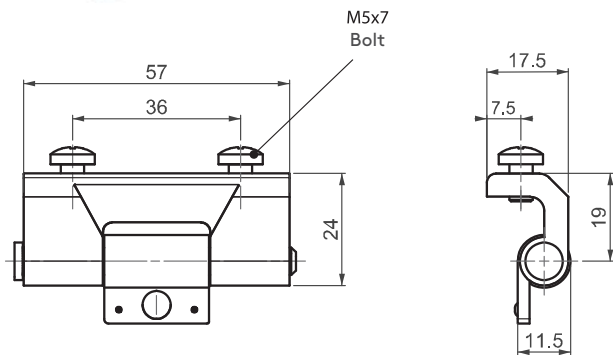
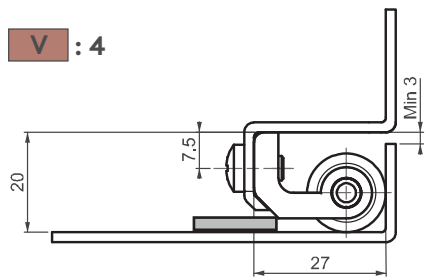
V : 2



V : 3



V : 4



194

CONCEALED HINGE



- For doors with a bend of between 18 mm and 27 mm
- Centre part copper plated for easy welding
- The centre part available in different versions

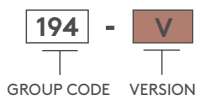
MATERIAL

BODY: Zinc Alloy DIN-EN 1774-ZnAl4Cu1
FIXED PART: Steel

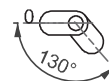
FINISH

BODY: Zinc plated
WELDING PART: Copper plated

PRODUCT CODE



Hinge Rotation Angle

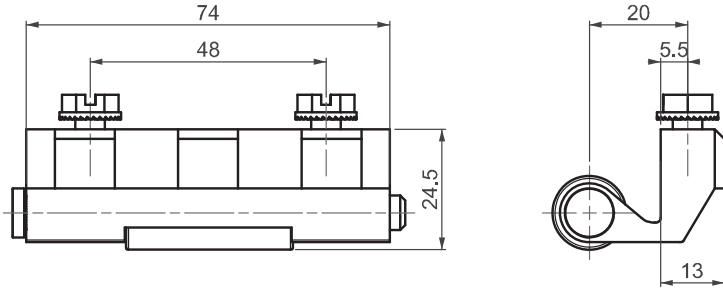


Note: Bolts are supplied

CONCEALED HINGES

CONCEALED HINGE

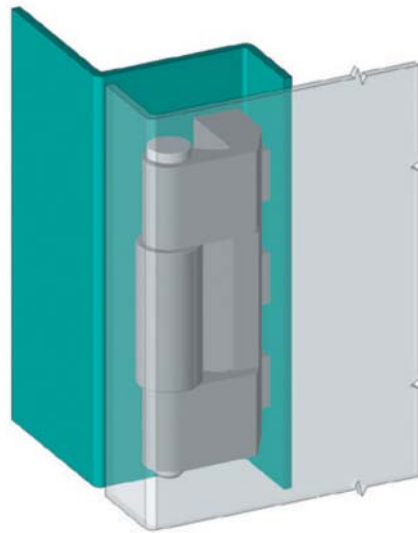
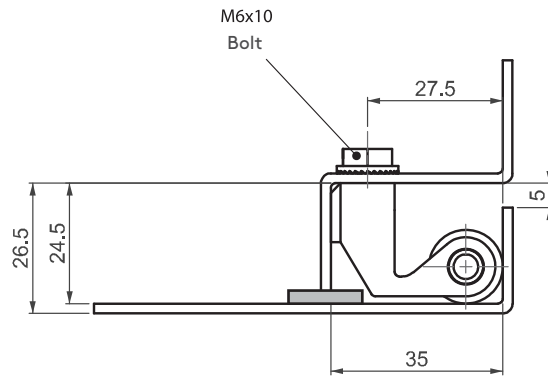
096



- For doors with a 24.5 mm bend
- Suitable for both panel and door-profile fixing

MATERIAL
 BODY: Zinc Alloy DIN-EN 1774-ZnAl4Cu1
 FIXED PART: Steel

FINISH
 BODY: Zinc plated
 WELDING PART: Copper plated

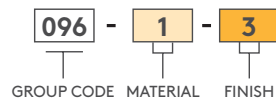


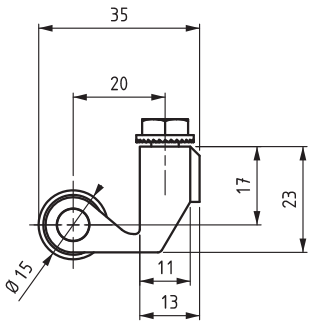
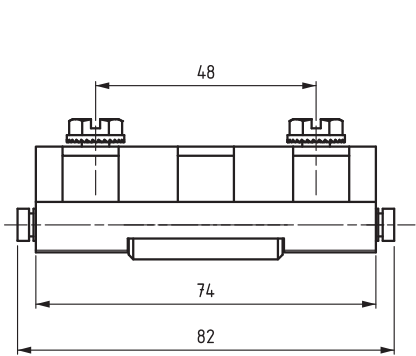
Hinge Rotation Angle



Note: Bolts are supplied

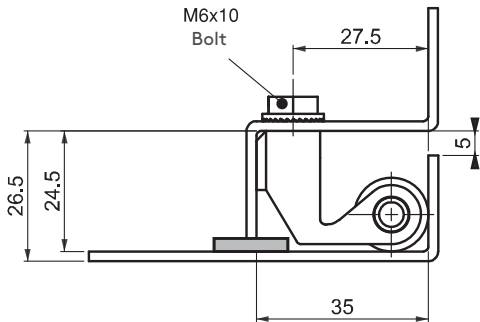
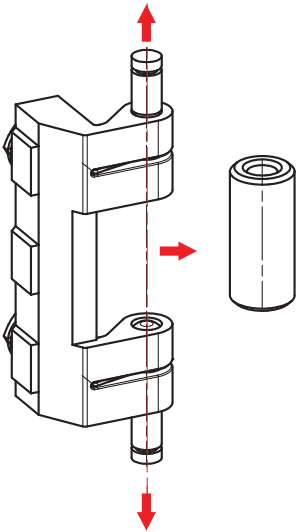
PRODUCT CODE





096

CONCEALED HINGE



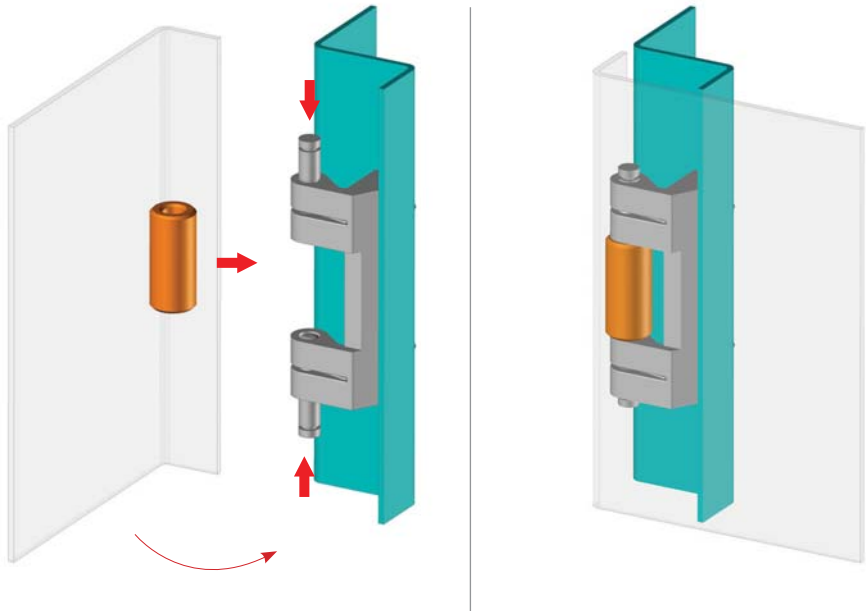
- Door can be taken out of frame without removing the pins
- Easy assembly
- Suitable for 24.5 mm door bend

MATERIAL

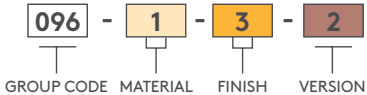
BODY: Zinc Alloy DIN-EN 1774-ZnAl4Cu1
 FIXED PART: Steel
 PIN: Stainless Steel

FINISH

BODY: Zinc plated
 FIXED PART: Copper plated



PRODUCT CODE



Hinge Rotation Angle

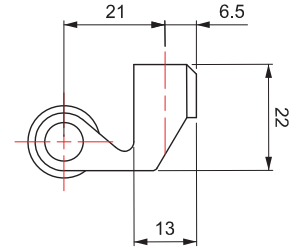
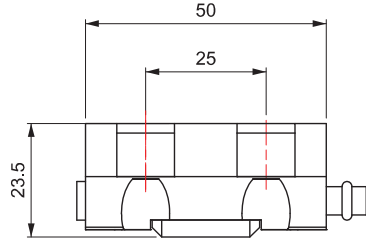


Note: Bolts are supplied

CONCEALED HINGES

CONCEALED HINGE

296



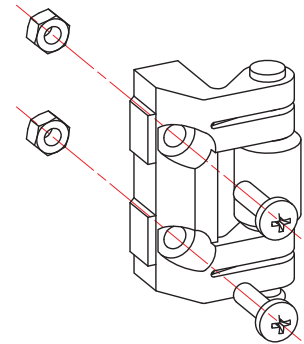
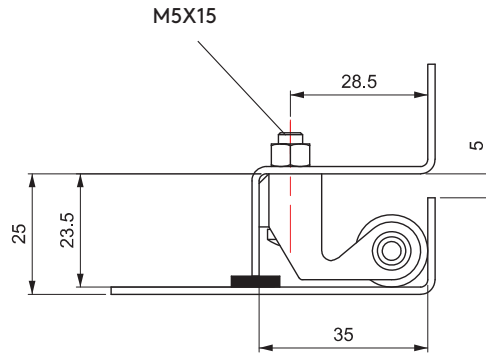
- For doors with a 23.5 mm bend.
- Smaller, more competitive alternative to 096 hinge

MATERIAL

BODY: Zinc Alloy DIN-EN 1774-ZnAl4Cu1
 FIXED PART: Steel

FINISH

BODY: Zinc plated
 WELDING PART: Copper plated

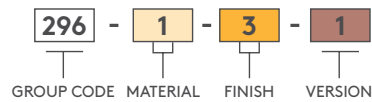


Hinge Rotation Angle



⚠ Note: Bolts are not supplied

PRODUCT CODE

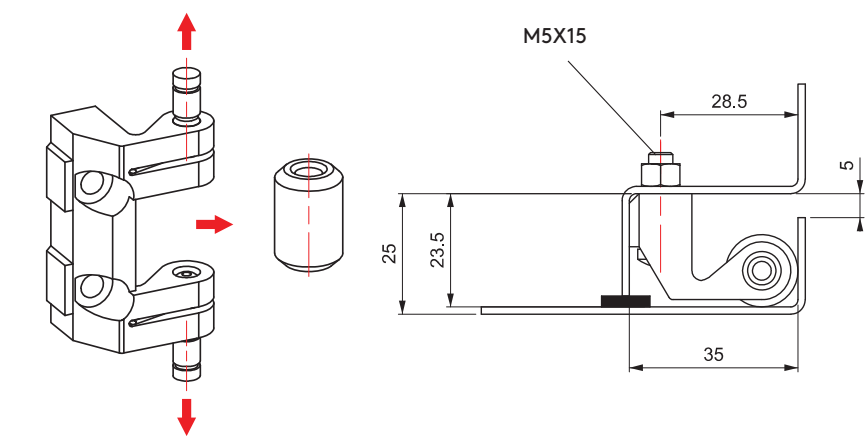
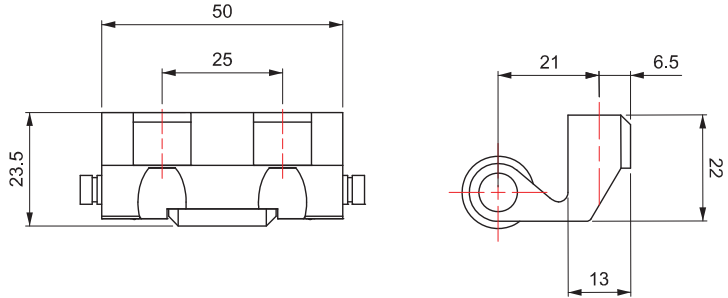




296

CONCEALED HINGE

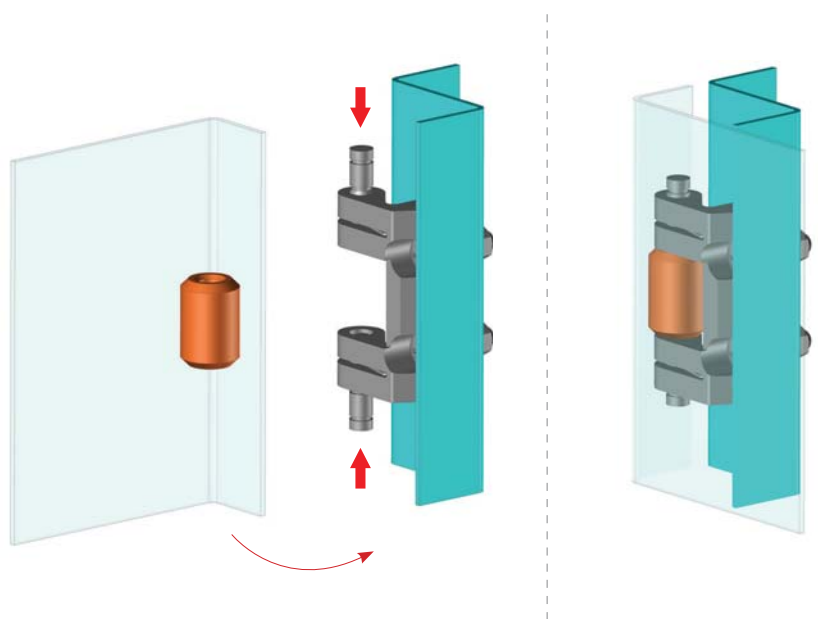
- RoHS
-
-



- Door part can be removed out from frame part without removing the pins
- Provides easy assembly
- Suitable for 23.5mm door bend

MATERIAL
 BODY: Zinc Alloy DIN-EN 1774-ZnAl4Cu1
 FIXED PART: Steel

FINISH
 BODY: Zinc plated
 FIXED PART: Copper plated



Hinge Rotation Angle



Note: Bolts are not supplied

PRODUCT CODE

296 - 1 - 3 - 2

GROUP CODE MATERIAL FINISH VERSION

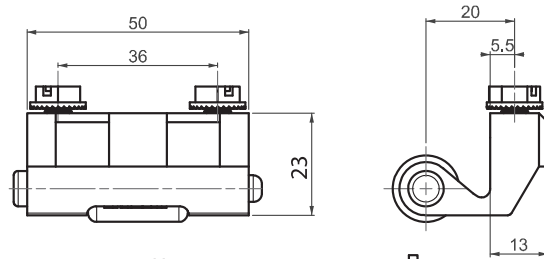
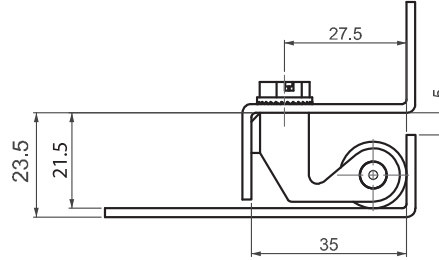
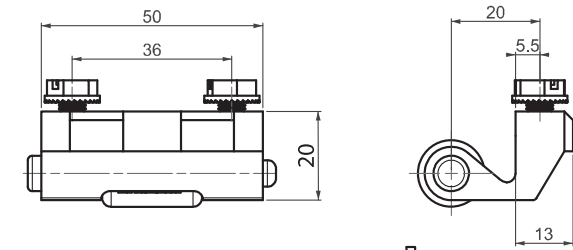
CONCEALED HINGES

CONCEALED HINGE

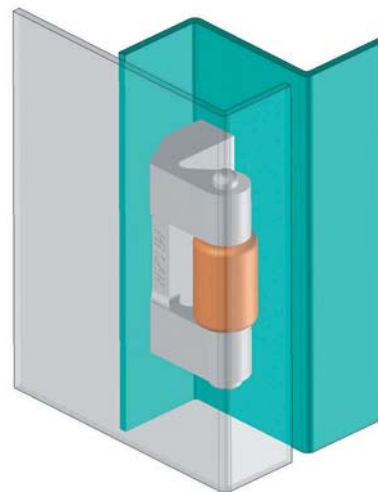
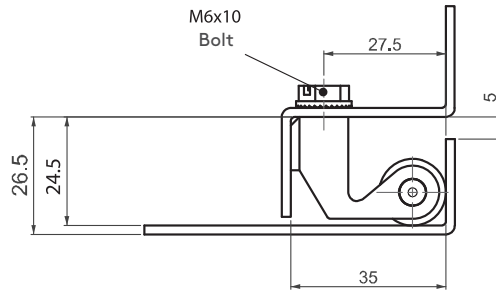
196



V : 20



V : 23



- For 21.5 mm to 24.5 mm bended doors
- Two sizes available
- Smaller alternative to 096 hinge

MATERIAL

BODY: Zinc Alloy DIN-EN 1774-ZnAl4Cu1

FIXED PART: Steel

FINISH

BODY: Zinc plated

WELDING PART: Copper plated

Hinge Rotation Angle



⚠ Note: Bolts are supplied

PRODUCT CODE

196 - V

GROUP CODE VERSION



1495

CONCEALED HINGE



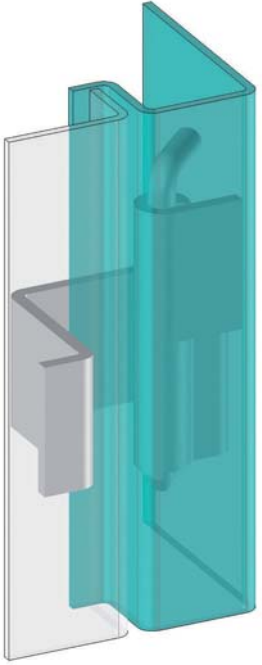
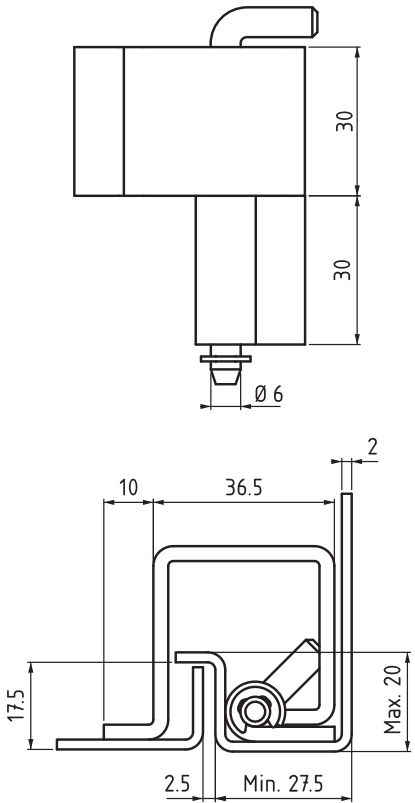
- Frame part and door parts are welded on
- Used for special geometry profiles of the cabinets

MATERIAL

BODY: Steel
PIN: Steel

FINISH

No finish



PRODUCT CODE

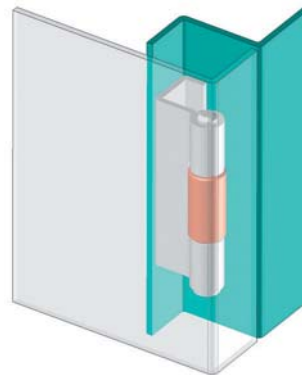
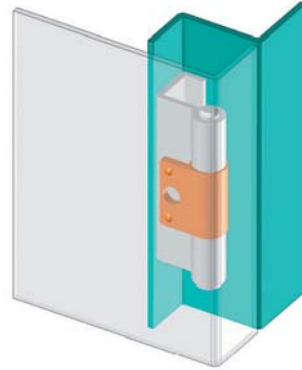
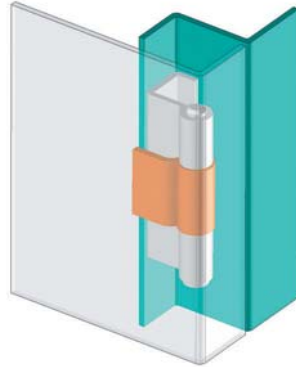
1495 - 6 - 0

GROUP CODE MATERIAL FINISH

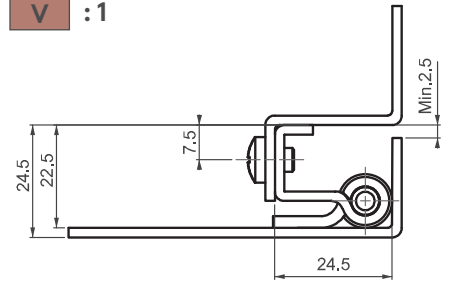
CONCEALED HINGES

CONCEALED HINGE

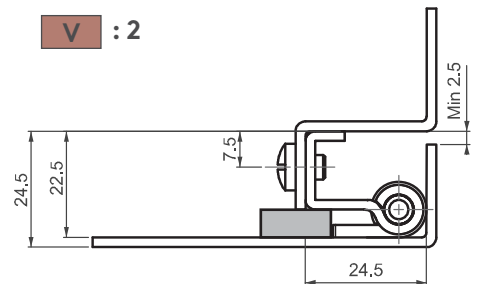
095



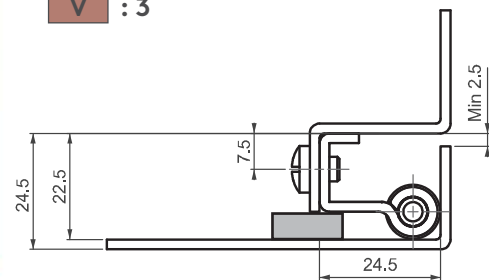
V : 1



V : 2



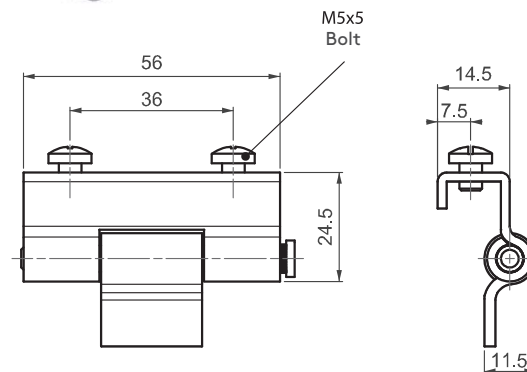
V : 3



- **Stainless steel version: page 494**
- For doors with a bend of 22.5 mm or more. Available drilled with two holes or with two-mounting studs.
- Centre part available in different versions

MATERIAL
Steel

FINISH
BODY: Zinc plated
WELDING PART: Copper plated



Hinge Rotation Angle



Note: Bolts are supplied

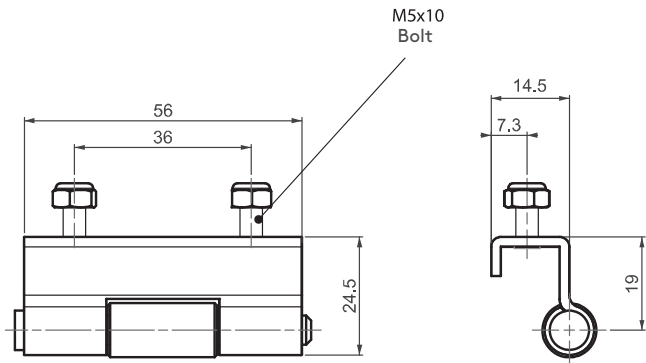
PRODUCT CODE

095 - 6 - 3 - V - 0
 GROUP CODE MATERIAL FINISH VERSION HOLE



095

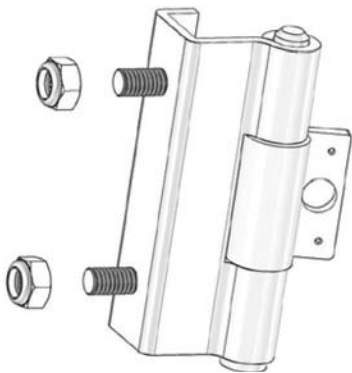
CONCEALED HINGE



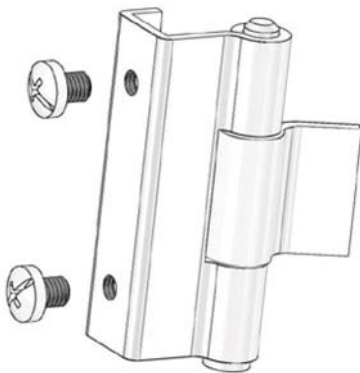
- For doors with a bend of 22.5 mm or more
- Available drilled with two holes or with two-mounting studs
- Centre part available in different versions

MATERIAL
Steel

FINISH
BODY: Zinc plated
WELDING PART: Copper plated



Stud



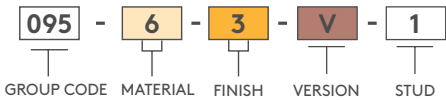
Hole

Hinge Rotation Angle



Note: Bolts are supplied

PRODUCT CODE



CONCEALED HINGES

CONCEALED HINGE

195

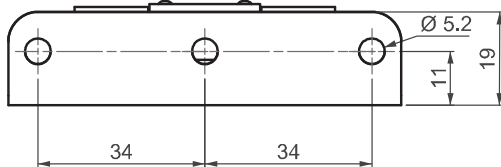
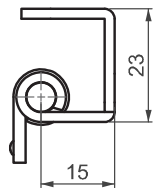
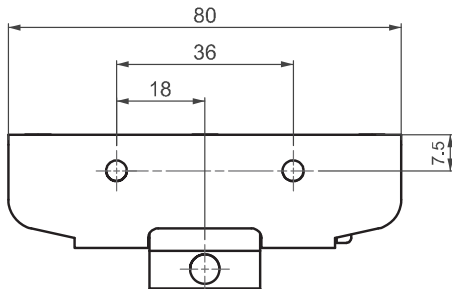
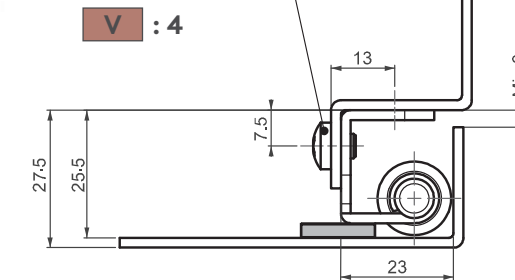
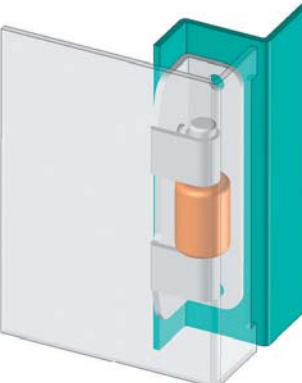
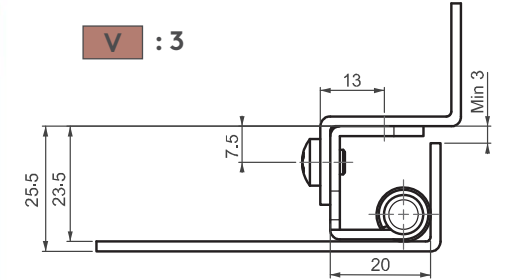
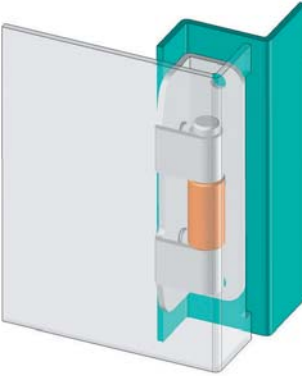
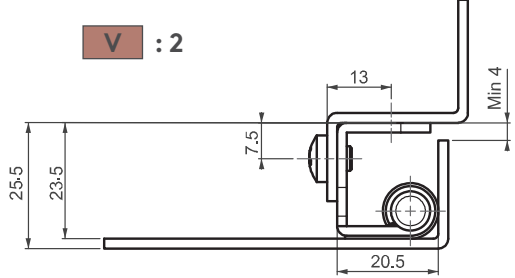
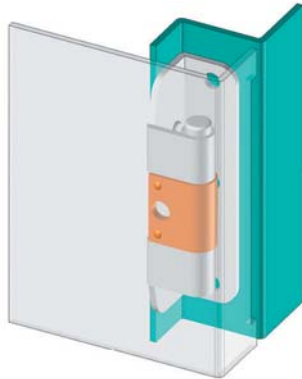


- For doors with a bend of between 23.5 mm and 25.5 mm
- Easily fixed to panel or door profile

MATERIAL
Steel

FINISH
BODY: Zinc plated
WELDING PART: Copper plated

Fixed: 1



Hinge Rotation Angle



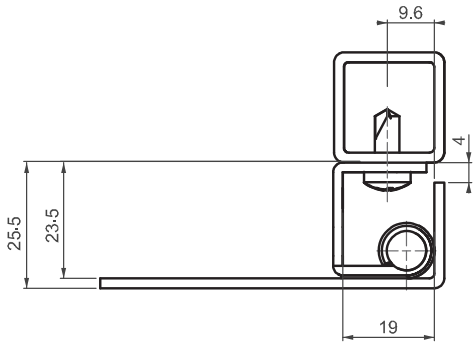
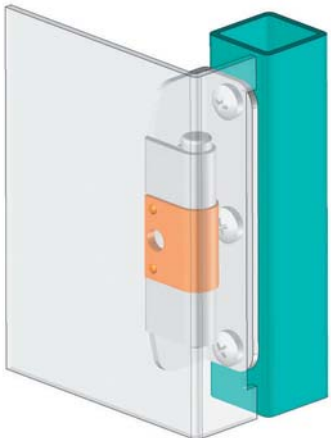
Note: Bolts are supplied



195

CONCEALED HINGE

Fixed: 2
For profile body



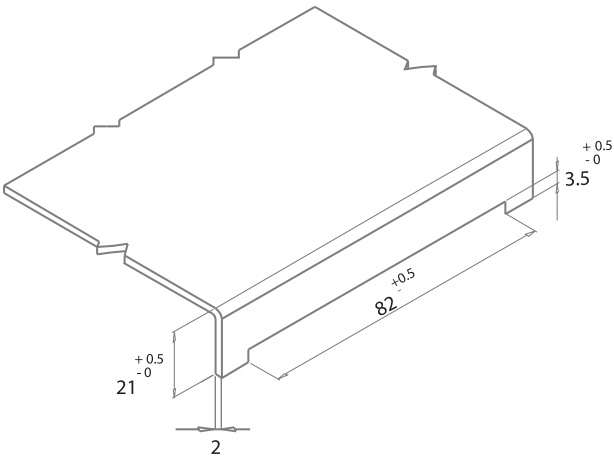
- For doors with a bend of between 23.5 mm and 25.5 mm
- Easily fixed to panel or door profile

MATERIAL

Steel

FINISH

BODY: Zinc plated
WELDING PART: Copper plated



PRODUCT CODE

195 - V

GROUP CODE VERSION

Hinge Rotation Angle



Note: Bolts are supplied

CONCEALED HINGES

CONCEALED HINGE

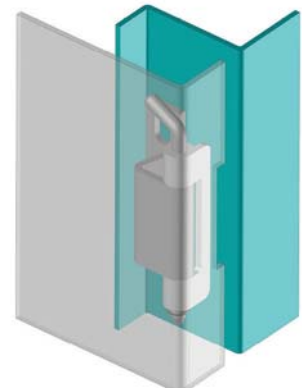
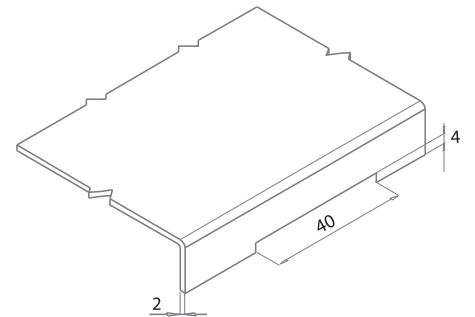
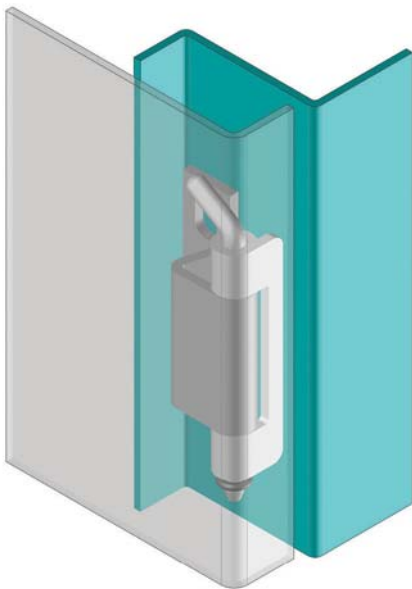
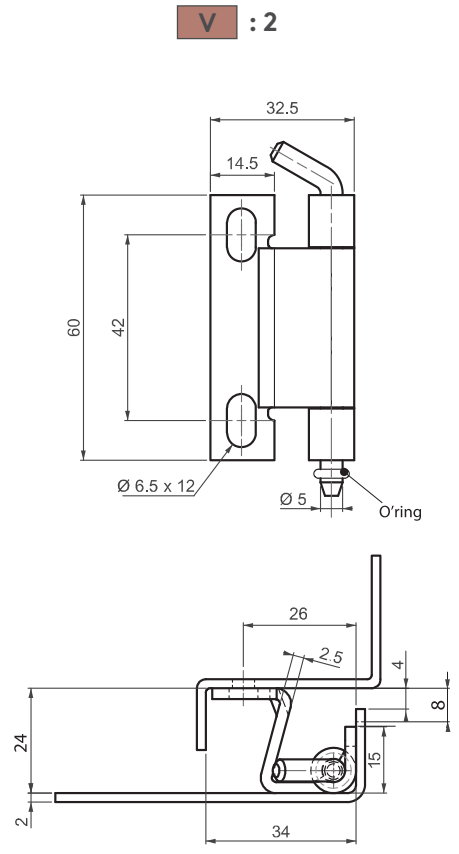
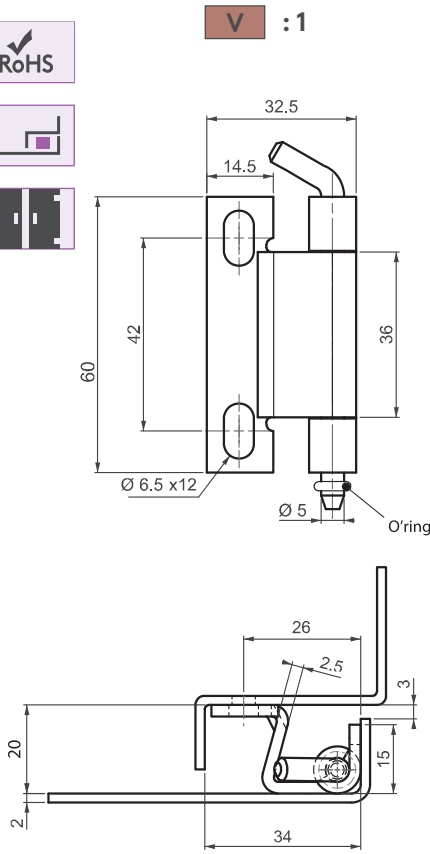
295



- Stainless steel version: page 486
- For doors with a bend of between 20 mm and 24 mm
- Frame part screwed on, door part welded on
- Suitable for left- and right-hand applications

MATERIAL
Steel

FINISH
BODY: Zinc plated
WELDING PART: Copper plated

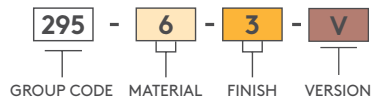


Hinge Rotation Angle



⚠ Note: Bolts are not supplied

PRODUCT CODE

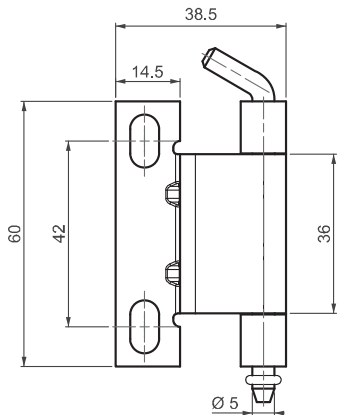




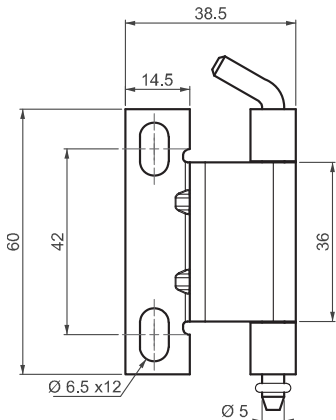
295

CONCEALED HINGE

V : 3



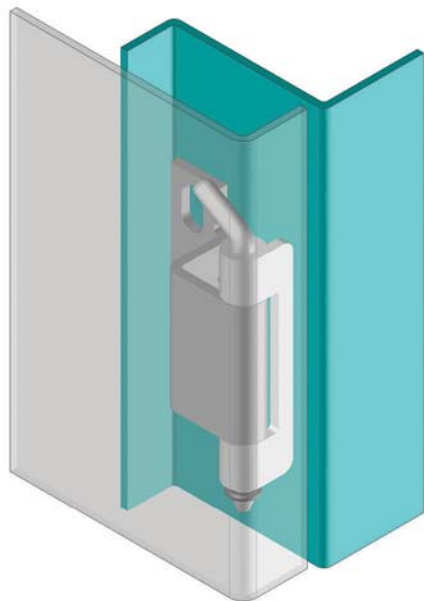
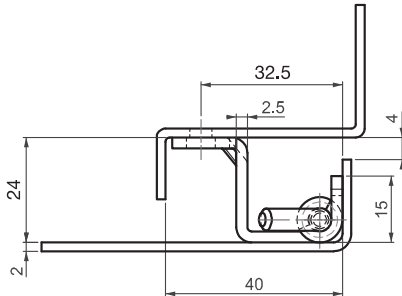
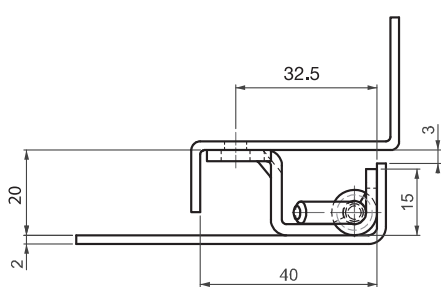
V : 4



• Stainless steel version: page 487

MATERIAL
Steel

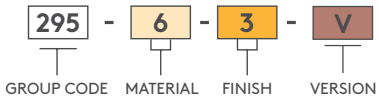
FINISH
BODY: Zinc plated
WELDING PART: Copper plated



Hinge Rotation Angle



PRODUCT CODE



⚠ Note: Bolts are not supplied

CONCEALED HINGES

CONCEALED HINGE

395



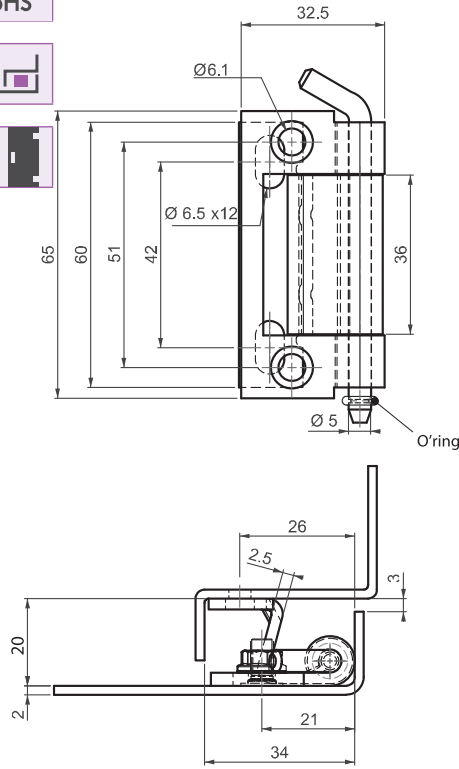
- **Stainless steel version: page 488**
- For doors with a bend of between 20 mm and 24 mm
- Frame part screwed on, door part welded on
- Suitable for left- and right-hand application

MATERIAL
Steel

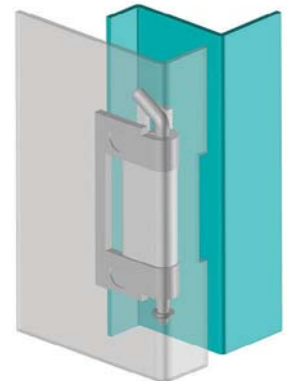
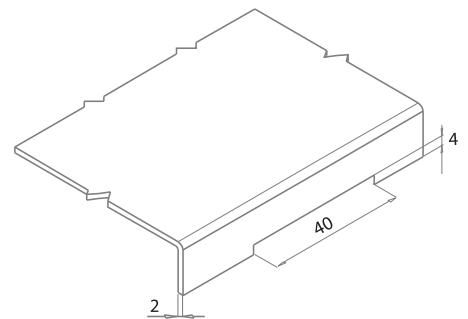
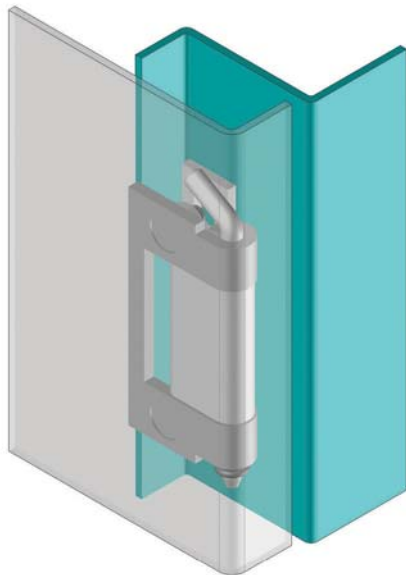
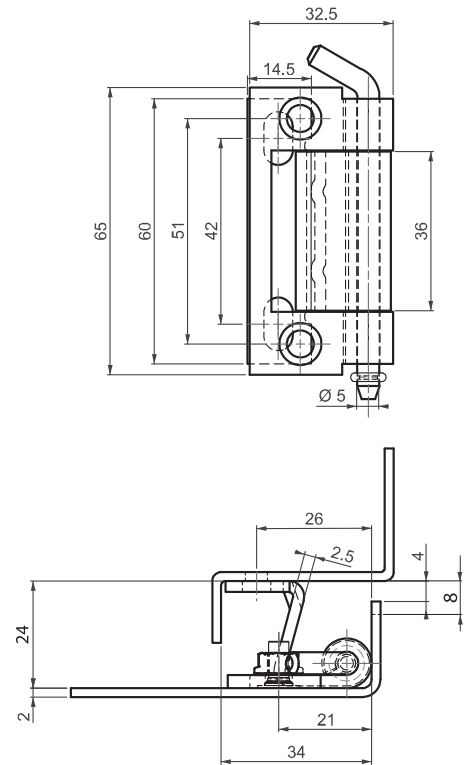
FINISH
Zinc plated



V :1



V :2

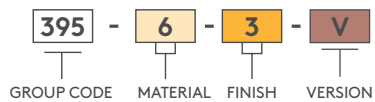


Hinge Rotation Angle



Note: Bolts are not supplied

PRODUCT CODE



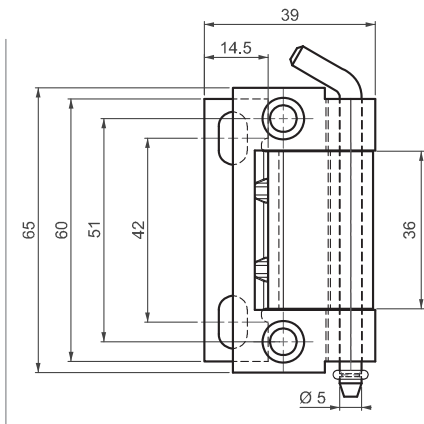
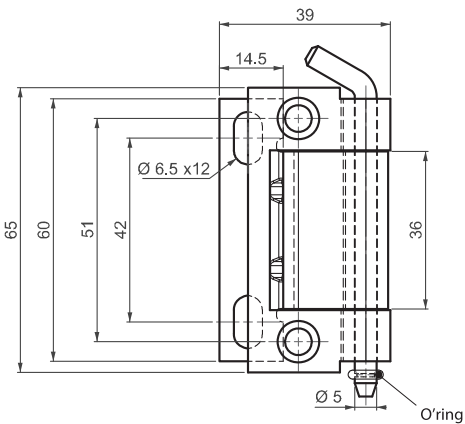


395

CONCEALED HINGE

V : 3

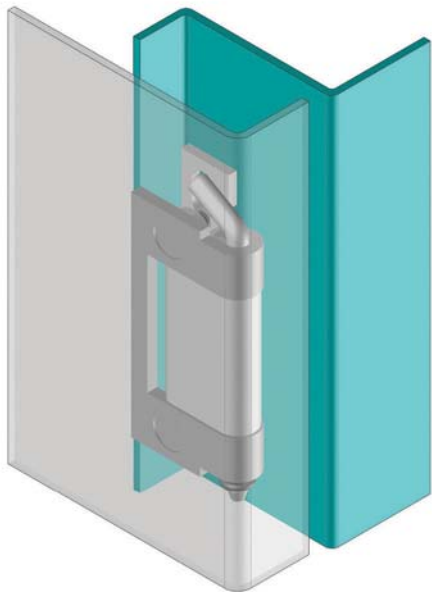
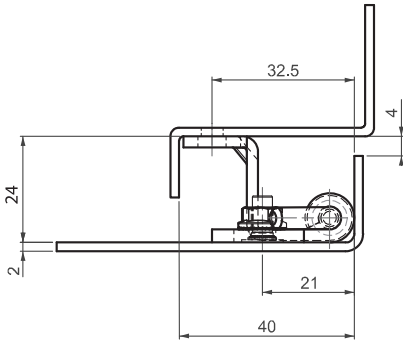
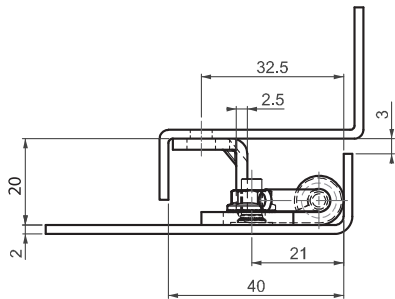
V : 4



• Stainless steel version: page 489

MATERIAL
Steel

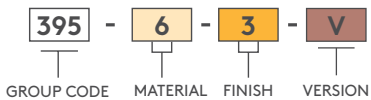
FINISH
Zinc plated



Hinge Rotation Angle



PRODUCT CODE



⚠ Note: Bolts are not supplied

▶ CONCEALED HINGES

CONCEALED HINGE

695

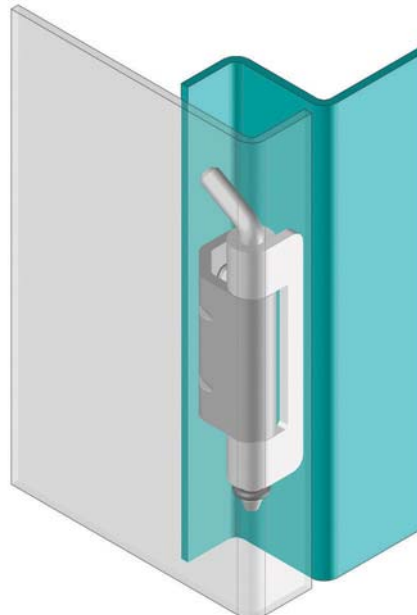
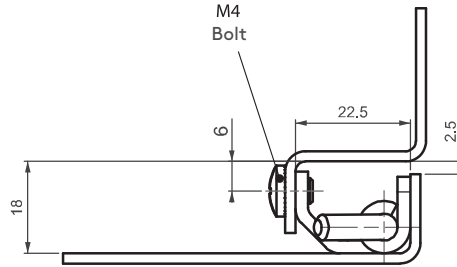
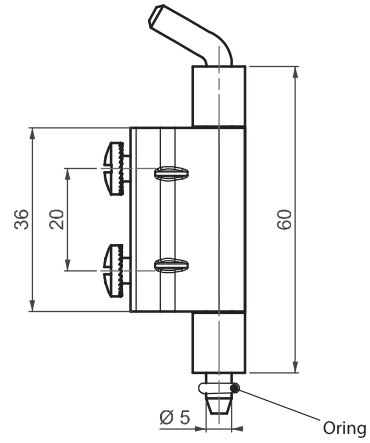


- **Stainless steel version: page 490**
- For doors with a bend of 18 mm
- Frame part screwed on, door part either welded or screwed on
- Suitable for left- and right-hand applications

MATERIAL
Steel

FINISH
BODY: Zinc plated
WELDING PART: Copper plated

V :1



Hinge Rotation Angle



⚠ Note: Bolts are not supplied

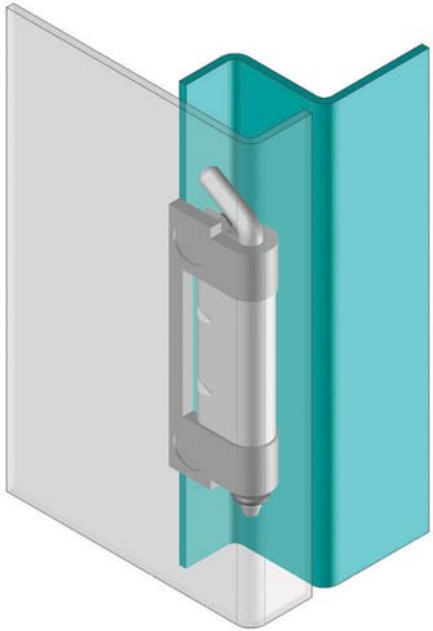
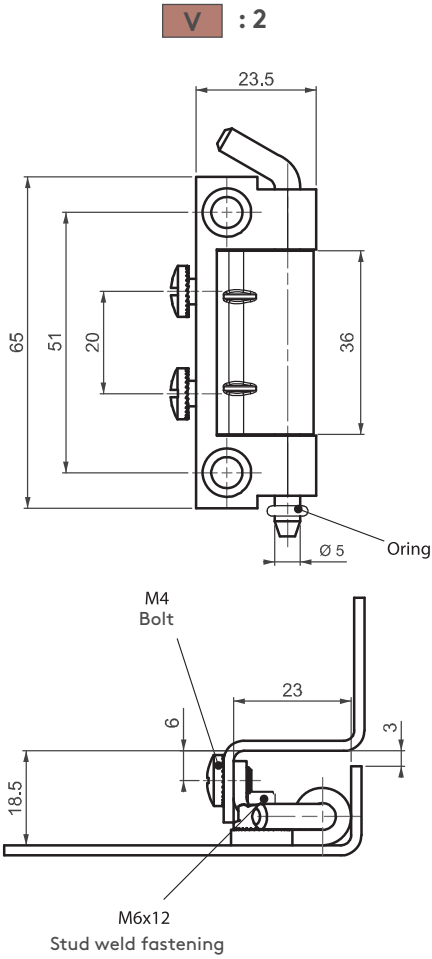
PRODUCT CODE

695 - 6 - 3 - 1
 GROUP CODE MATERIAL FINISH VERSION



695

CONCEALED HINGE



- Stainless steel version: page 491
- For doors with a bend of 18.5 mm
- Frame part screwed on, door part mounted by nut to welded stud on door
- Suitable for left- and right-hand application

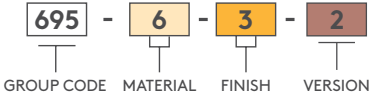
MATERIAL
Steel

FINISH
Zinc plated

Hinge Rotation Angle



PRODUCT CODE



Note: Bolts are not supplied

CONCEALED HINGES

CONCEALED HINGE

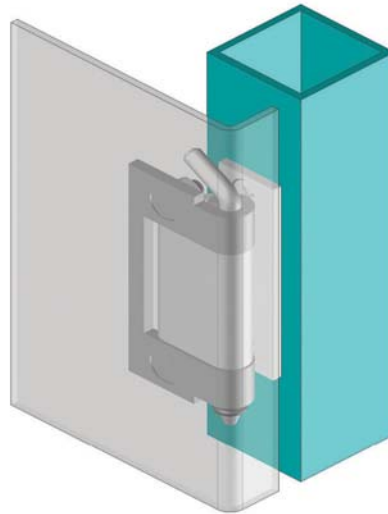
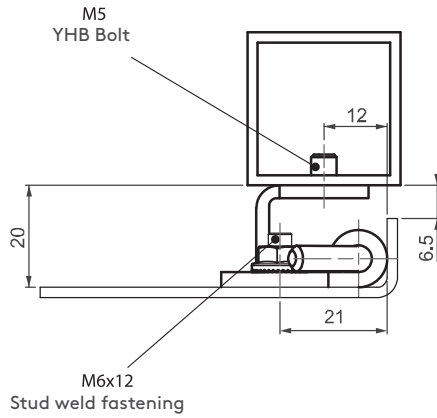
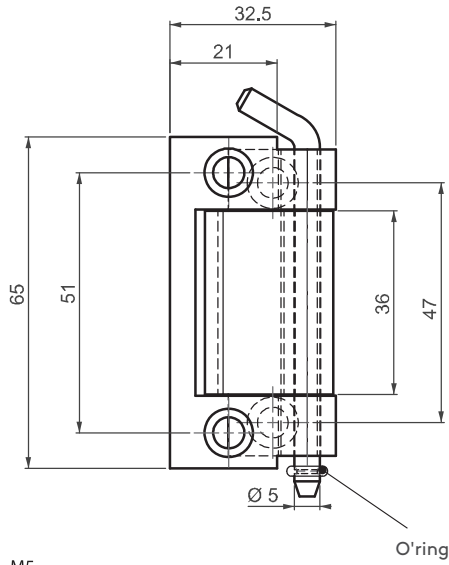
795



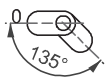
- **Stainless steel version: page 492**
- For doors with a bend of 20 mm to fix profiles
- Frame part screwed on, door part mounted by nut to welded stud on door
- Suitable for left- and right-hand application

MATERIAL
Steel

FINISH
Zinc plated

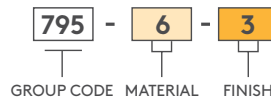


Hinge Rotation Angle



⚠ Note: Bolts are not supplied

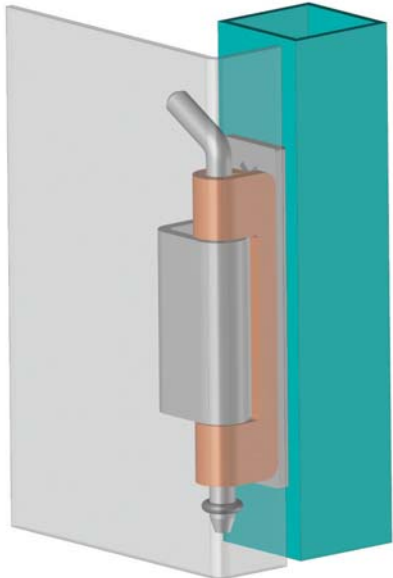
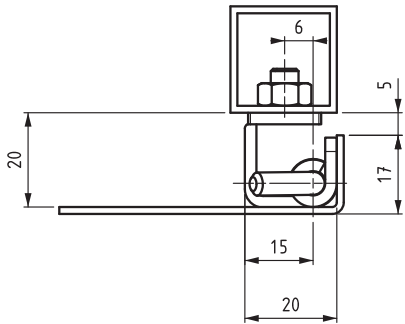
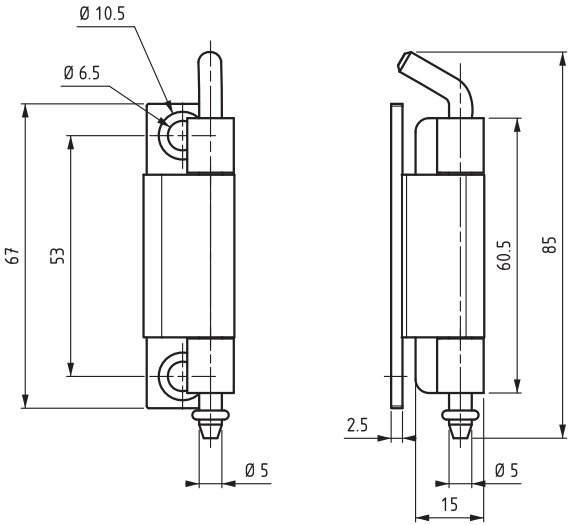
PRODUCT CODE





1795

CONCEALED HINGE



- For doors with a bend of between 20 mm
- Easily fixed to panel or door profile due to hinge design
- Suitable for left - and right- hand applications

MATERIAL
 BODY: Steel
 FIXED PART: Steel
 PIN: Steel

FINISH
 BODY: Zinc plated
 FIXED PART: Copper plated

Hinge Rotation Angle



⚠ Note: Bolts are not supplied

PRODUCT CODE

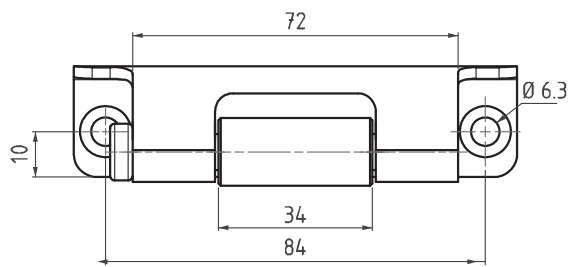
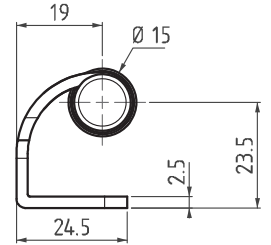
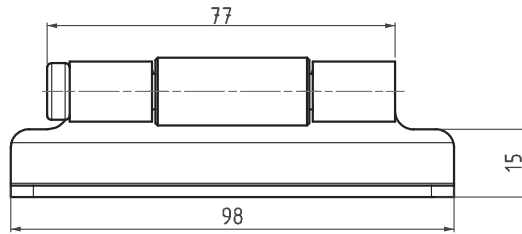
1795 - 6 - 3

GROUP CODE MATERIAL FINISH

CONCEALED HINGES

CONCEALED HINGE

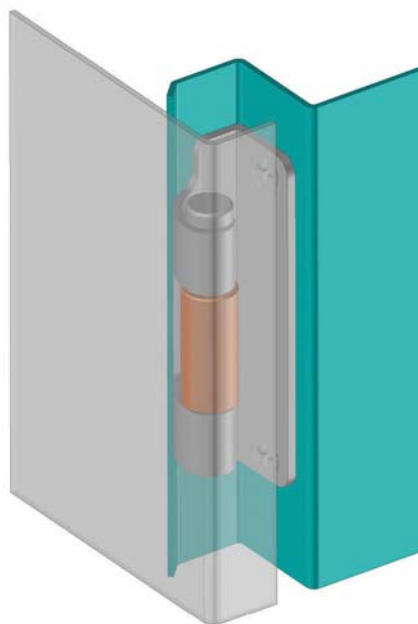
895



- Side part can be mounted with M5 screws
- Centre part copper plated for easy welding
- Suitable for heavy-duty applications
- Pin should be mounted during hinge assembly

MATERIAL
Steel

FINISH
BODY: Zinc plated
WELDING PART: Copper plated



Hinge Rotation Angle



⚠ Note: Bolts are not supplied

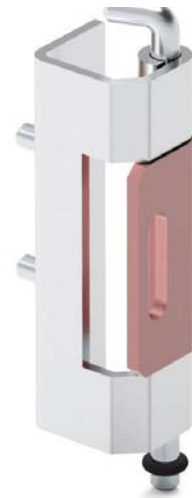
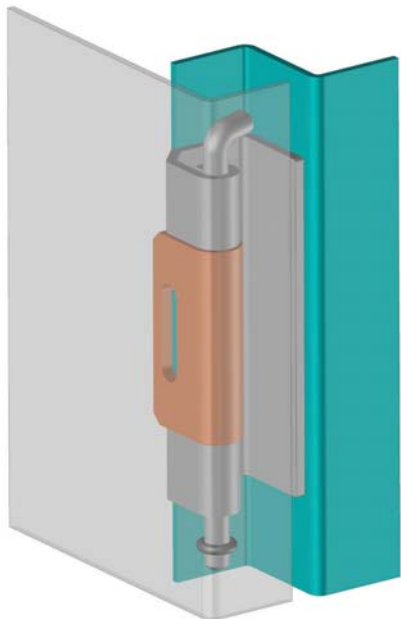
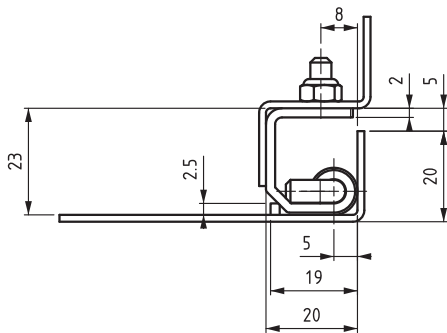
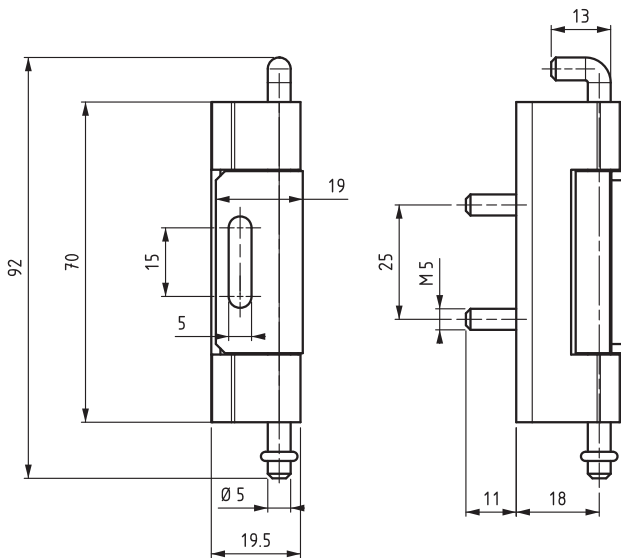
PRODUCT CODE

895 - 6 - 3
GROUP CODE MATERIAL FINISH



1095

CONCEALED HINGE



- For doors with a bend of 23 mm
- Easily fixed to panel or door profile
- Suitable for left- and right-hand application

MATERIAL
 BODY: Steel
 FIXED PART: Steel
 PIN: Steel

FINISH
 BODY: Zinc plated
 FIXED PART: Copper plated

Hinge Rotation Angle



PRODUCT CODE

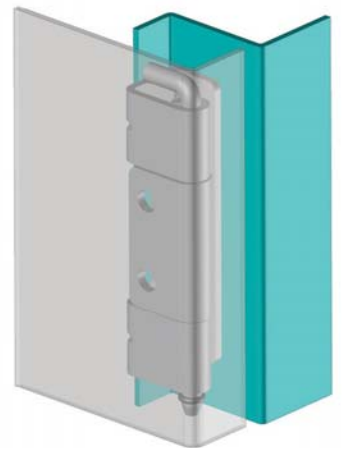
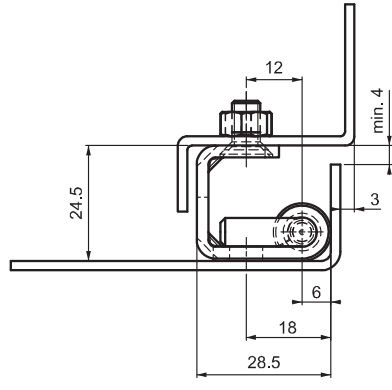
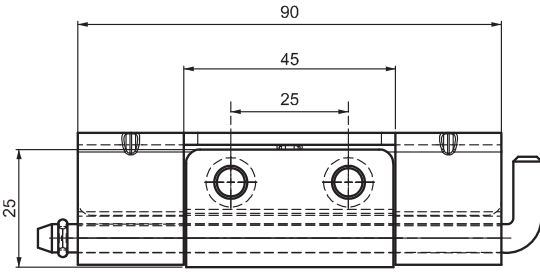
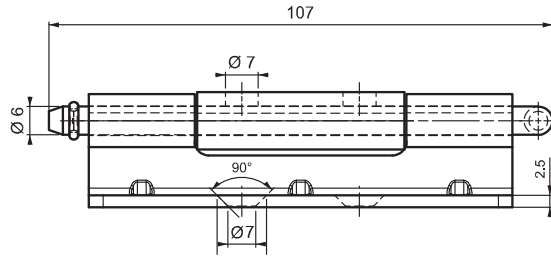
1095 - 6 - 3

GROUP CODE MATERIAL FINISH

CONCEALED HINGES

CONCEALED HINGE

995



- **Stainless Steel version:** page: 495
- Side part can be mounted with M5 screws
- Centre part copper plated for easy welding
- Suitable for heavy-duty applications
- Suitable for 25 mm bend door cabinets

MATERIAL
Steel

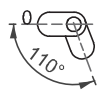
FINISH
BODY: Zinc plated
WELDING PART: Copper plated

Note: Bolts are not supplied

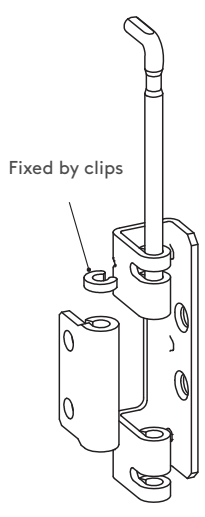
Stud version



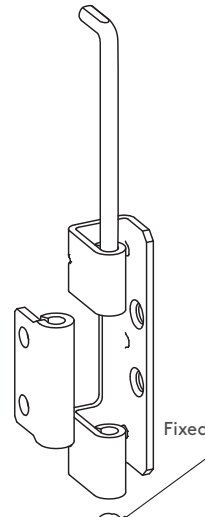
Hinge Rotation Angle



Note: Nuts are not supplied

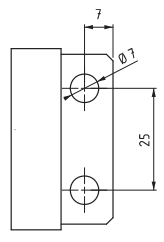


V : 4

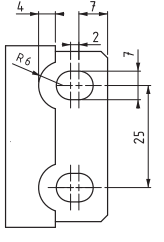


V : 3

Middle Parts

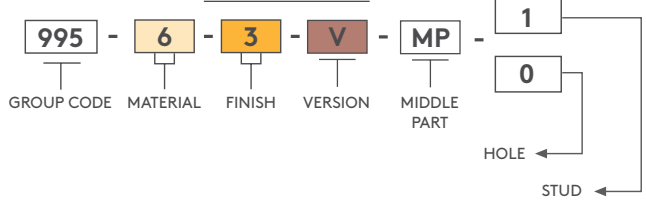


MP :1
Circle



MP :2
Slot

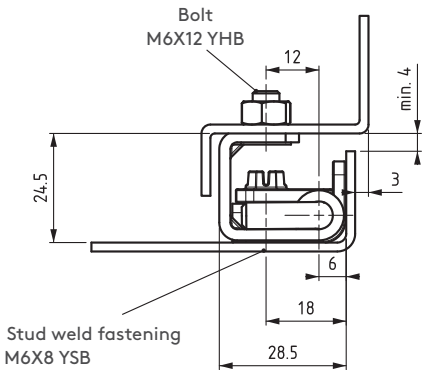
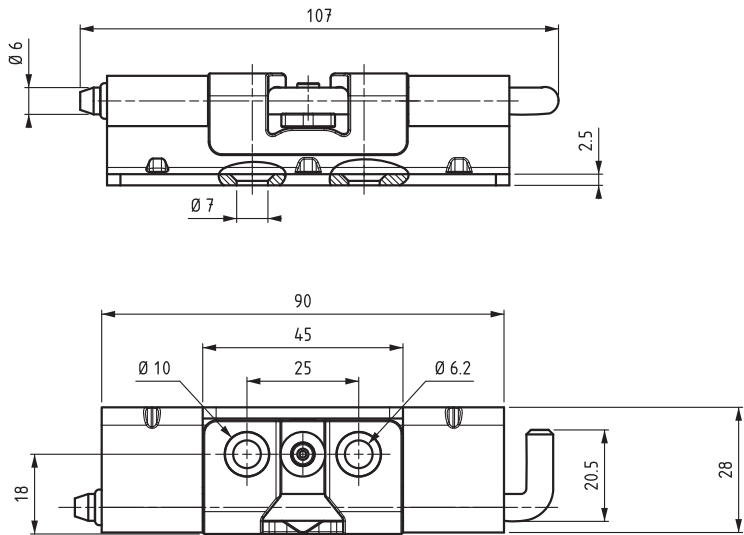
PRODUCT CODE





995

CONCEALED HINGE



- Suitable for heavy-duty applications
- Suitable for Left- and right-hand applications
- Suitable for 25 mm bend door cabinets
- Door part can be removed by a screw

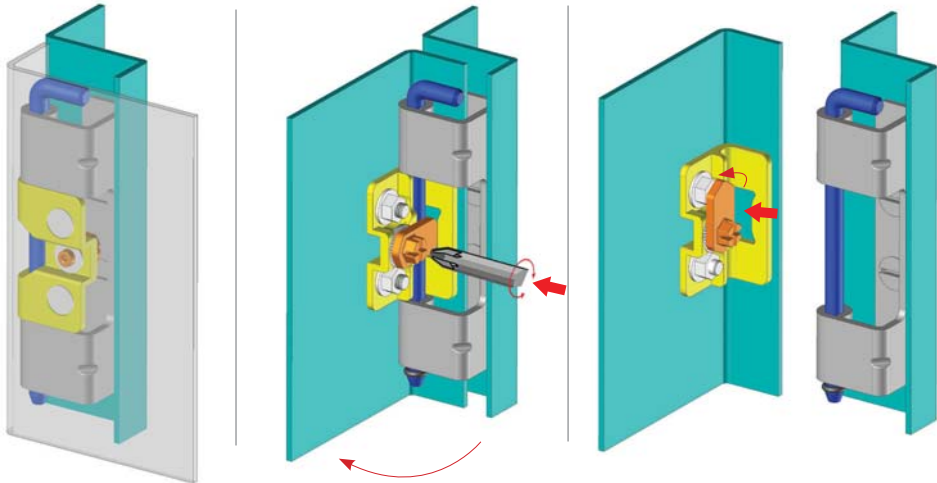
MATERIAL
 BODY: Steel
 WELDING PART: Zinc Alloy DIN-EN 1774-ZnAl4Cu1

FINISH:
 BODY: Zinc plated
 WELDING PART: Zinc plated

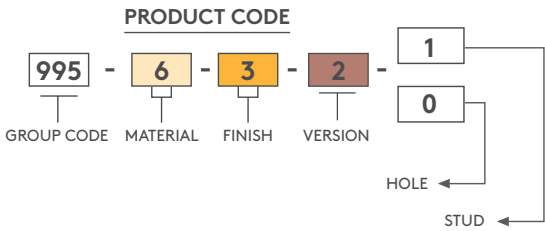
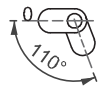
Position 1
Closed door

Position 2
After the door is opened, cam is rotated 90° with a screwdriver

Position 3
The cover is removed



Hinge Rotation Angle

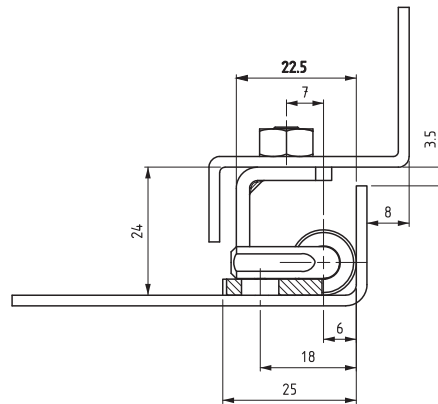
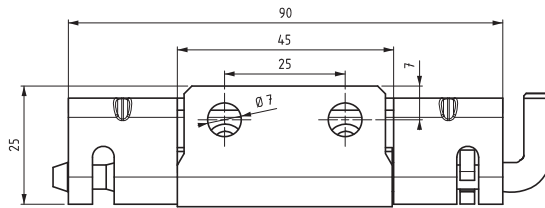
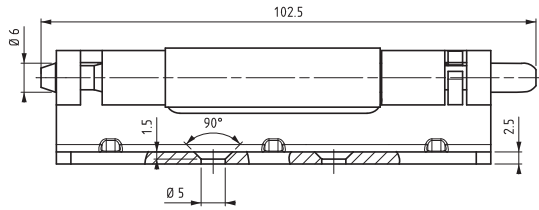
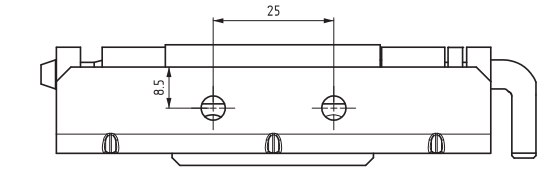
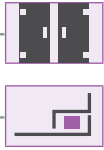


Note: Bolts and nuts are not supplied

CONCEALED HINGES

CONCEALED HINGE

1995



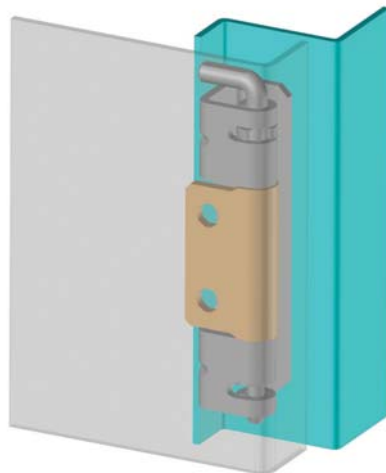
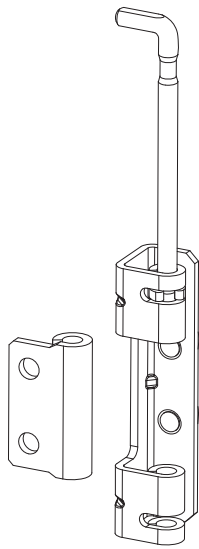
- Stainless steel version: page 496
- Remove the door by just removing the pin
- Suitable for 24 mm door bend cabinets
- Copper plated middle part for easy welding

MATERIAL

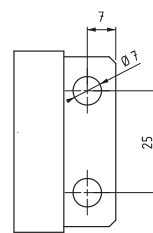
BODY: Zinc Alloy DIN-EN 1774-ZnAl4Cu1
FIXED PART: Steel

FINISH

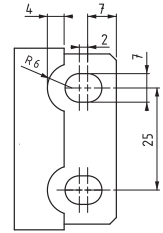
BODY: Zinc plated
FIXED PART: Copper plated



Middle Parts



MP :1
Circle



MP :2
Slot

Note: Bolts are not supplied

PRODUCT CODE





595

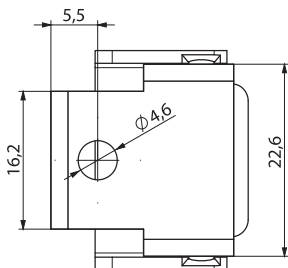
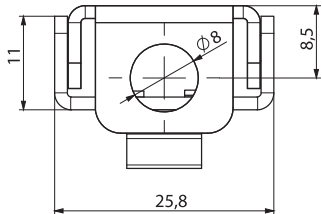
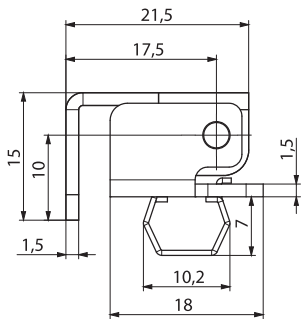
CONCEALED HINGE



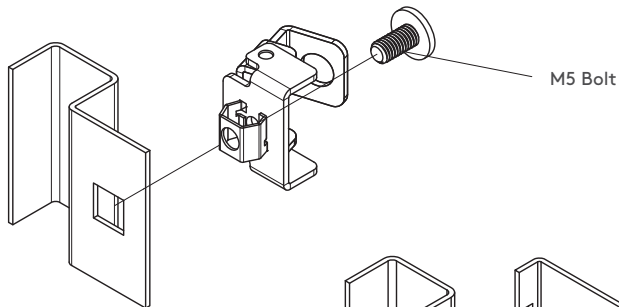
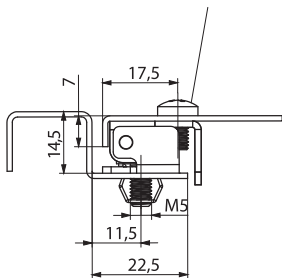
• Can be used for small size panels

MATERIAL
Steel

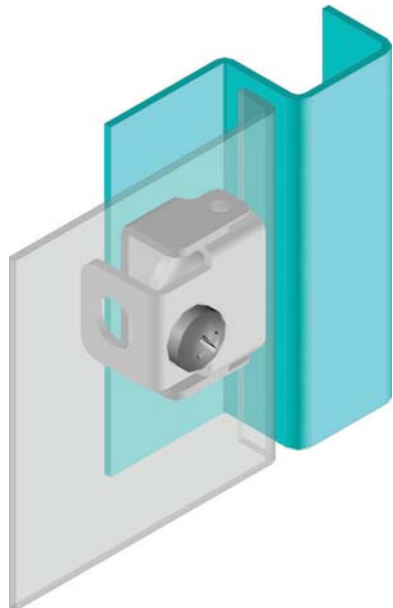
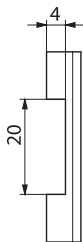
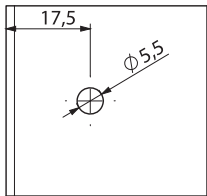
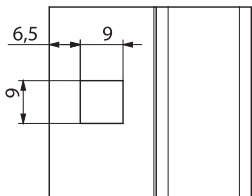
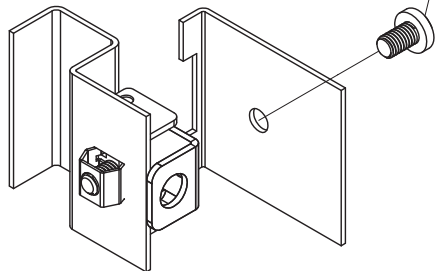
FINISH
Zinc plated



M5 self tapping screw

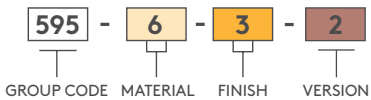


M5 self tapping screw



Note: Bolts are supplied

PRODUCT CODE



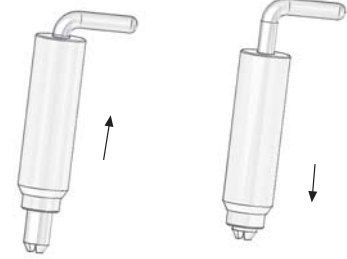
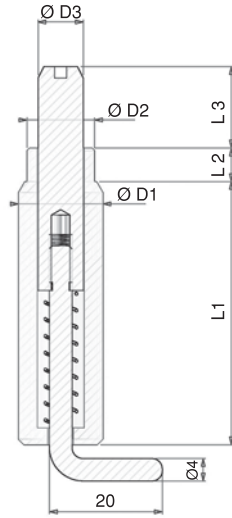
CONCEALED HINGES

SPRING LOADED

189



RoHS



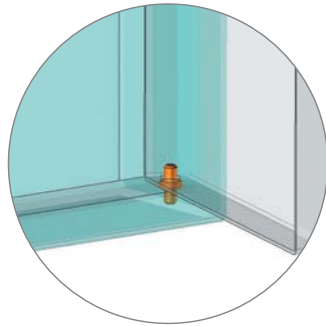
- For internally mounted doors
- Spring loaded hinge for easy door removal
- Body copper plated for easy welding. Available as spring-loaded, up-and-down pair; or spring-loaded up hinge and fixed bottom hinge

MATERIAL

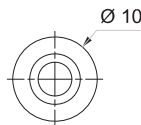
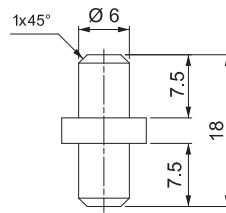
Steel

FINISH

BODY: Copper plated
Other materials: Zinc plated



Hinge Rotation Angle



BOTTOM PIVOT PIN

32003192

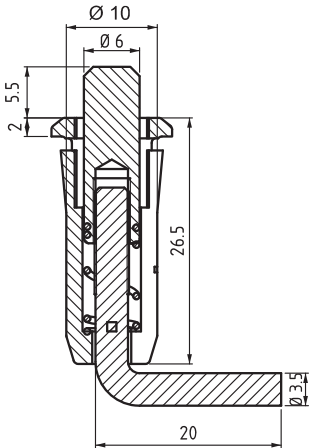


Ø D1	Ø D2	Ø D3	L1 MM	L2 MM	L3 MM	PRODUCT CODE
10	8.5	6	26.5	3.5	9	189-9
10	8.5	6	38	3.5	10	189-10
12	9	6	38	3.5	10	189-12
15	12	9	47	6	14.5	189-15



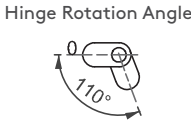
389

SPRING LOADED



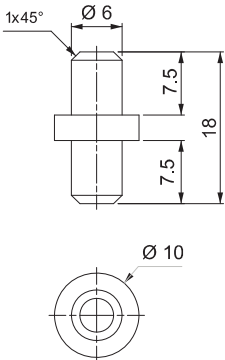
- For internally mounted doors
- Spring-loaded hinge for easy door removal
- Clip fixing for easy assembly
- Available as spring-loaded, up-and-down pair; or spring-loaded up hinge and fixed bottom hinge

MATERIAL
 BODY: Polyamide DIN-EN ISO1043-1 PA6 GFR 30
 PIN: Steel



32003192

BOTTOM PIVOT PIN



▶ CONCEALED HINGES

CONCEALED HINGE

089

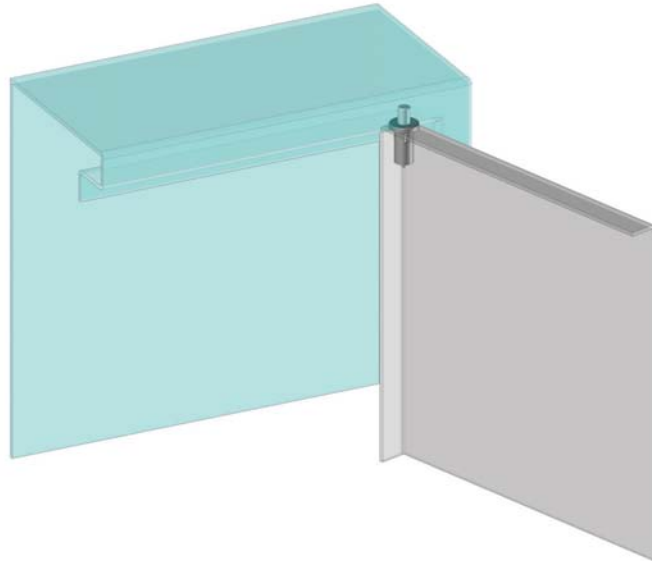
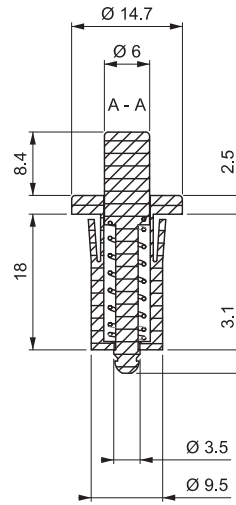


- For internally mounted doors
- Spring-loaded hinge for easy door removal
- Clip fixing for easy assembly
- Available as spring-loaded, up-and-down pair; or spring-loaded up hinge and fixed bottom hinge

MATERIAL

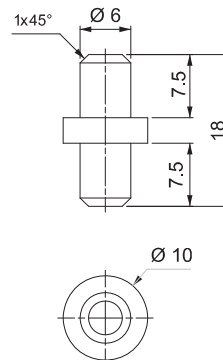
BODY: Polyamide DIN-EN ISO1043-1 PA6 GFR 30
 PIN: Steel

Hinge Rotation Angle



BOTTOM PIVOT PIN

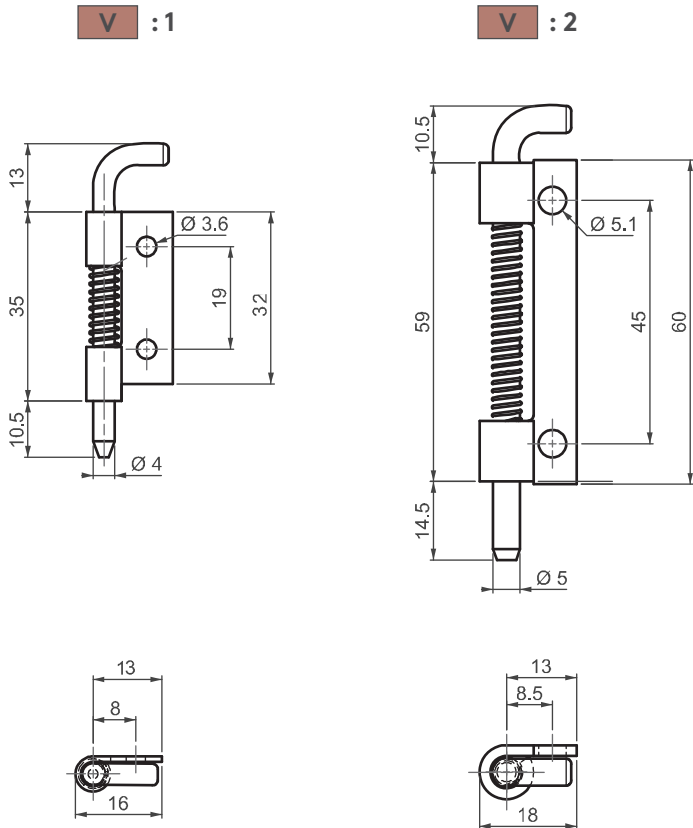
32003192





289

CONCEALED HINGE

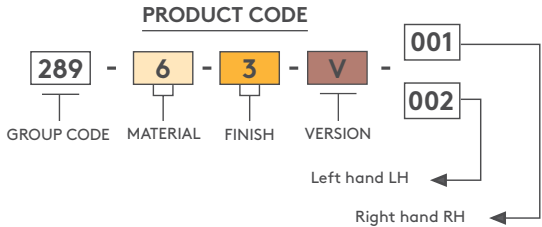


- Stainless steel version: page 493
- For internally mounted doors
- Spring loaded hinge for easy door removal
- Both versions are either screwed or welded on
- Suitable for left- and right-hand application

MATERIAL
Steel

FINISH
Zinc plated

Hinge Rotation Angle



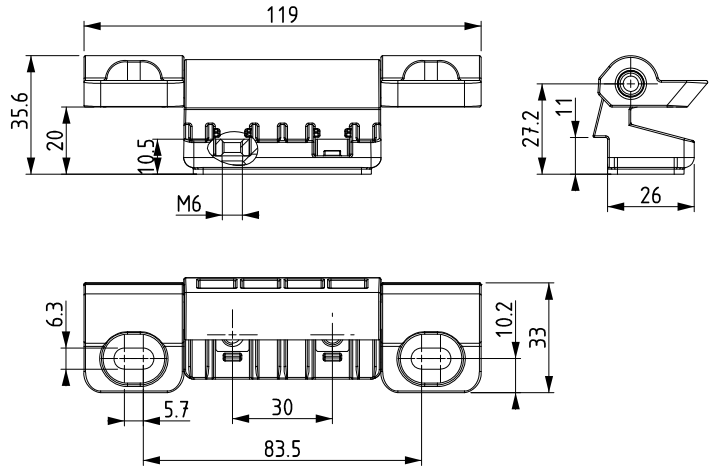
Note: Bolts are not supplied

Note: Assembled RH (as drawn)
Assembled LH (mirror inverted)

CONCEALED HINGES

CONCEALED HINGE

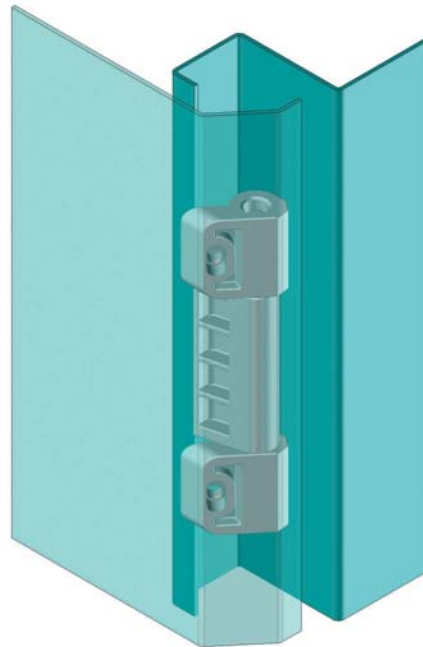
394



- Suitable for lightweight panels and applications
- Left and right hand application is possible
- Suitable for M6 screws
- 90° hinge rotation angle

MATERIAL
 FRAME PART: PA6 GFR30
 DOOR PART: PA6 GFR30
 NUT: Steel

Hinge Rotation Angle

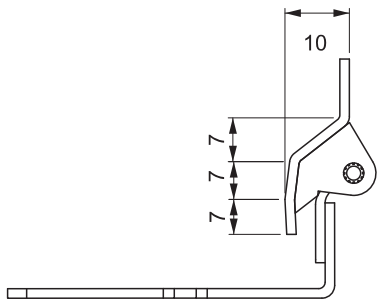
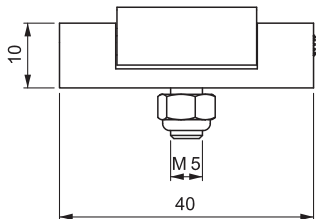
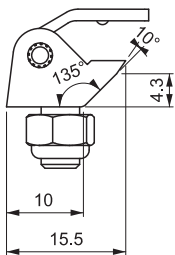


Note: Bolts are not supplied



294

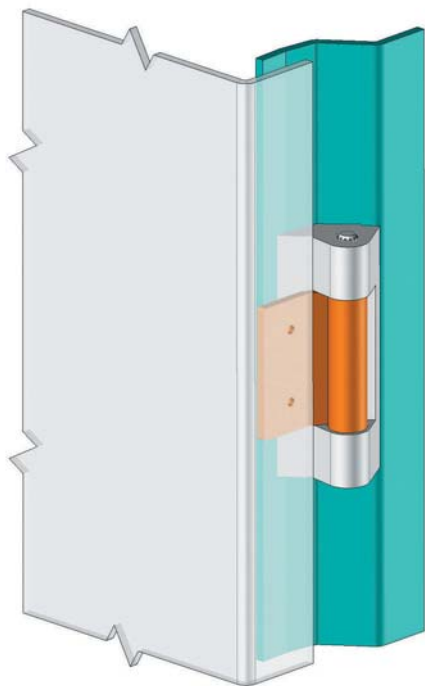
CONCEALED HINGE



- For small panels having a 10 mm internal bend
- Designed to maximize space
- Copper plated for easy welding

MATERIAL
 BODY: Zinc Alloy DIN-EN 1774-ZnAl4Cu1
 FIXED PART: Steel
 PIN: Steel

FINISH
 BODY: Zinc plated
 FIXED PART: Copper plated



Hinge Rotation Angle

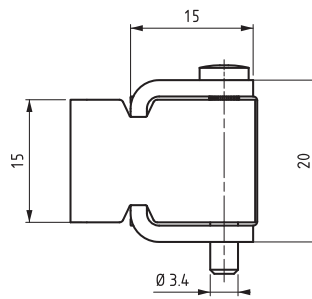
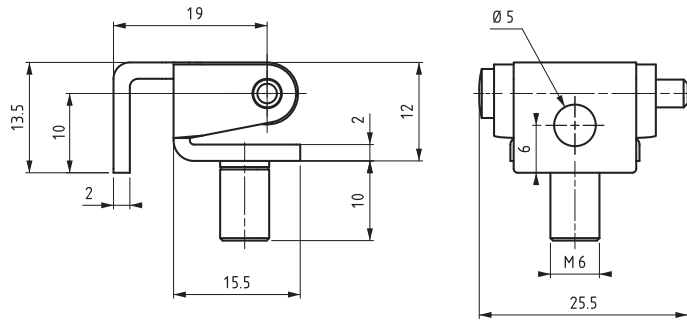


⚠ Note: Bolts are not supplied

▶ CONCEALED HINGES

CONCEALED HINGE

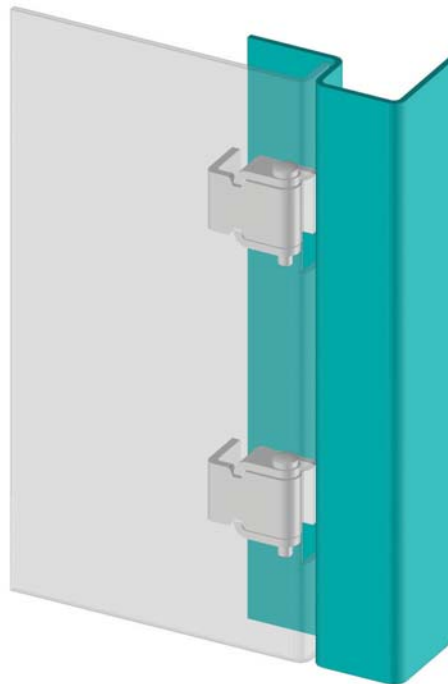
595



- Can be used for small size panels

MATERIAL
Steel

FINISH
Zinc plated



PRODUCT CODE

595 - 6 - 3

GROUP CODE MATERIAL FINISH










HINGES



CORNER HINGES

GROUP CODE	PRODUCT NAME
497	CORNER HINGE
097	CORNER HINGE
197	CORNER HINGE
297	CORNER HINGE
397	CORNER HINGE
298	CORNER HINGE
098	CORNER HINGE
398	CORNER HINGE
498	CORNER HINGE
400	CORNER HINGE
200	CORNER HINGE
100	CORNER HINGE
600	CORNER HINGE/HVAC HINGE
700	CORNER HINGE/HVAC HINGE



PAGE	
337	
338	
339	
340	
341	
342	
343	
344 - 345	
346	 <p>p338</p>
347	 <p>p344</p>
348 - 349	 <p>p347</p>
350	
351 - 353	
354 - 355	 <p>p353</p>



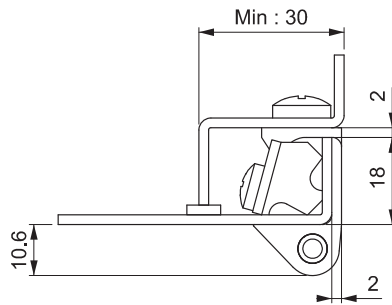
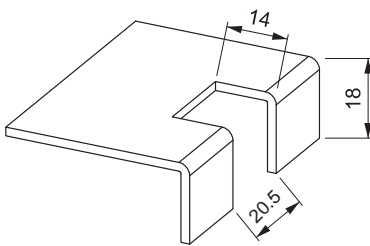
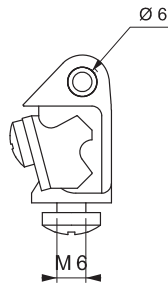
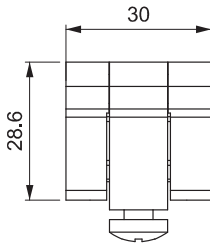
CORNER HINGES





497

CORNER HINGE



- Corner hinge
- Grounding is possible

MATERIAL

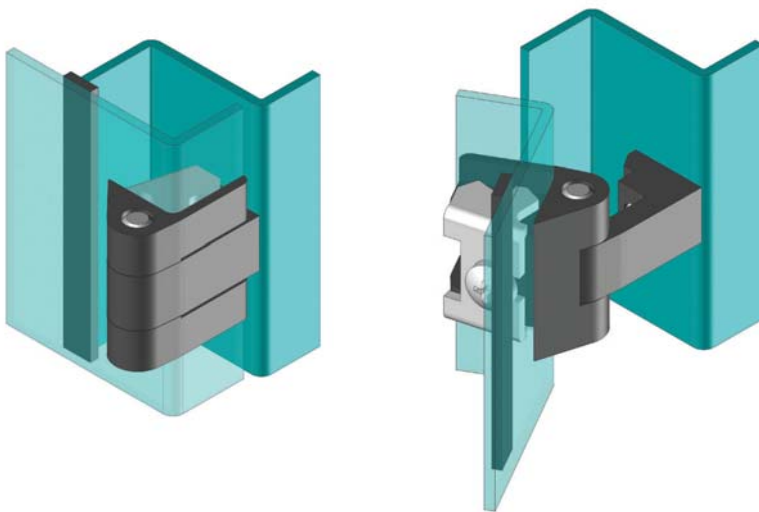
DOOR PART: Zinc Alloy DIN-EN 1774-ZnAl4Cu1

FRAME PART: Zinc Alloy DIN-EN 1774-ZnAl4Cu1

FIXING BRACKET: Steel

FINISH

Chrome plated or black coated



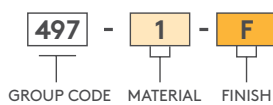
Hinge Rotation Angle



! Note: Bolts are supplied

! Note: The listing of this/these product(s) in the catalogue does not constitute an offer to sell any of those products in Germany

PRODUCT CODE



MATERIAL	M	FINISH	F
Zinc Alloy	1	Chrome	1
		Black coated	2

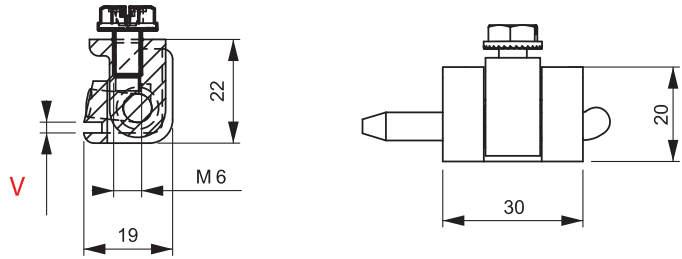
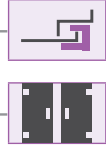
CORNER HINGES

CORNER HINGE

097



RoHS



- Stainless steel version: page 498
- Corner hinge
- Suitable for steel panels with a thickness of between 1.0 mm - 2.2 mm and 2.5 mm
- Hinge pin available in three types

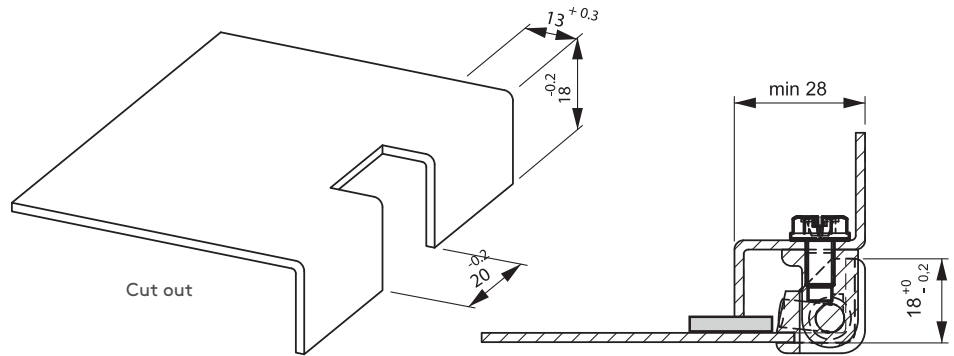
MATERIAL

FIXED, MOVABLE PARTS:

Zinc Alloy DIN-EN 1774-ZnAl4Cu1
PIN: Steel or poliasetal (Delrin)

FINISH

Chrome plated or black coated



V : 15

1.0 mm - 1.2 mm
door plate thickness
(097 M-F-P-15)

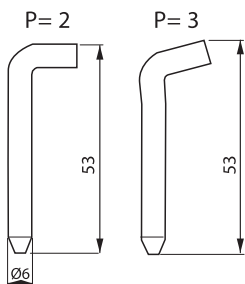
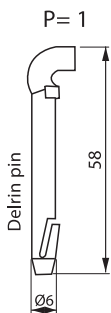
V : 22

1.5 mm - 2 mm
door plate thickness
(097 M-F-P-22)

V : 25

2 mm - 2.5 mm
door plate thickness
(097 M-F-P-25)

Hinge Rotation Angle



PRODUCT CODE

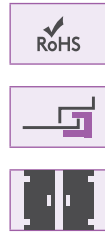
097 - 1 - F - P - V
GROUP CODE MATERIAL FINISH PIN VERSION

MATERIAL		M	FINISH		F
Zinc Alloy		1	Chrome		1
			Black coated		2



197

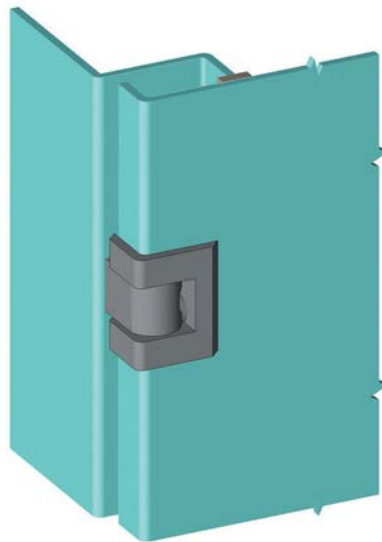
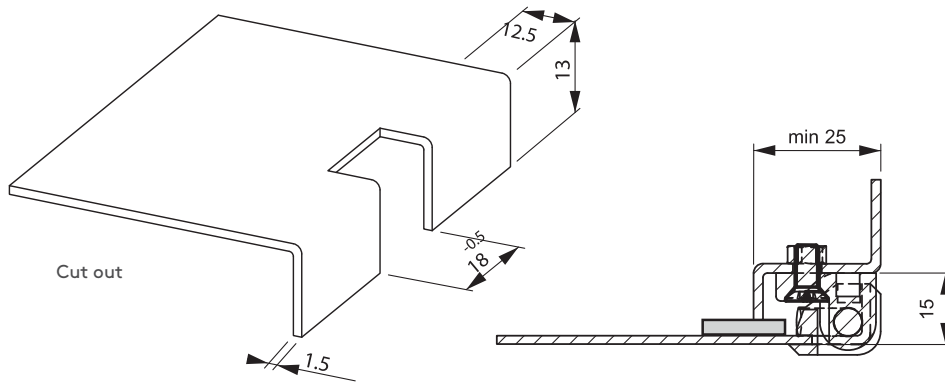
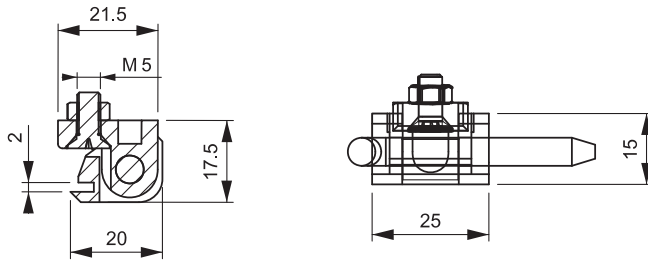
CORNER HINGE



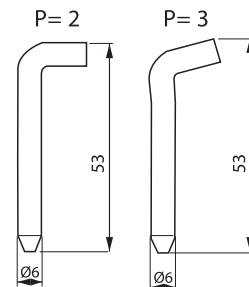
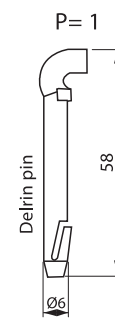
- Corner hinge. Suitable for steel panels with a thickness of between 0.8 mm - 1.5 mm
- Hinge pin available in three types

MATERIAL

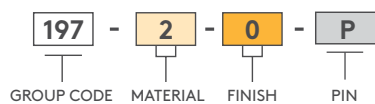
BODY: Polyamide PA6 GFR 30
PIN: Steel or poliasetal (Delrin)



Hinge Rotation Angle



PRODUCT CODE

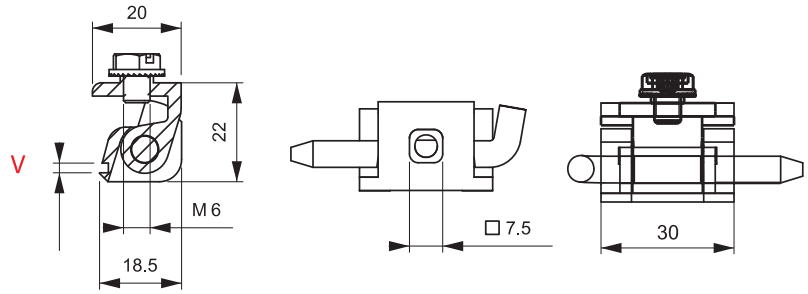


MATERIAL	M	FINISH	F
Plastic	2	No finish	0

CORNER HINGES

CORNER HINGE

297



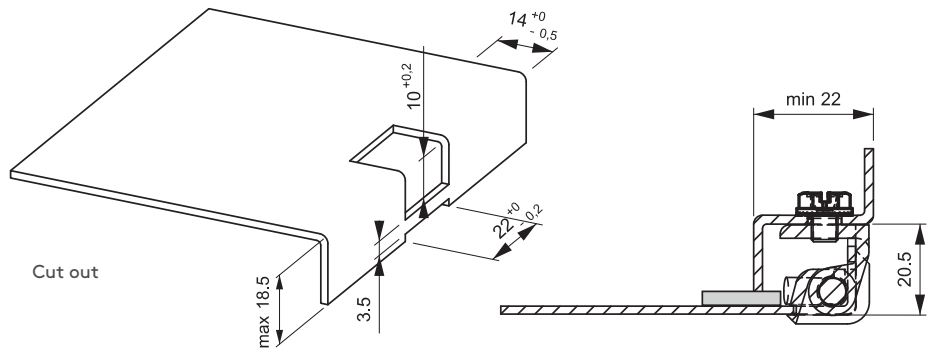
- Corner hinge. Cut out helps provide greater resistance than 097 hinge
- Suitable for steel panels with a thickness of between 1.0 mm and 1.5 mm
- Hinge pin available in three types

MATERIAL

FIXED, MOVABLE PARTS:
Zinc Alloy DIN-EN 1774-ZnAl4Cu1
PIN: Steel or poliasetal (Delrin)

FINISH

Chrome plated or black coated



V : 15

1.0 mm - 1.2 mm door plate thickness
(297 M-F-P-15)

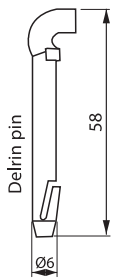
V : 22

1.5 mm door plate thickness
(297 M-F-P-22)

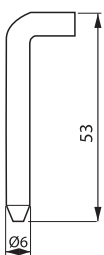
Hinge Rotation Angle



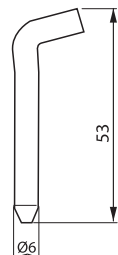
P= 1



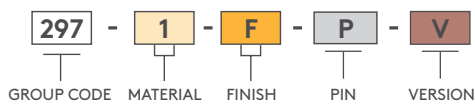
P= 2



P= 3



PRODUCT CODE

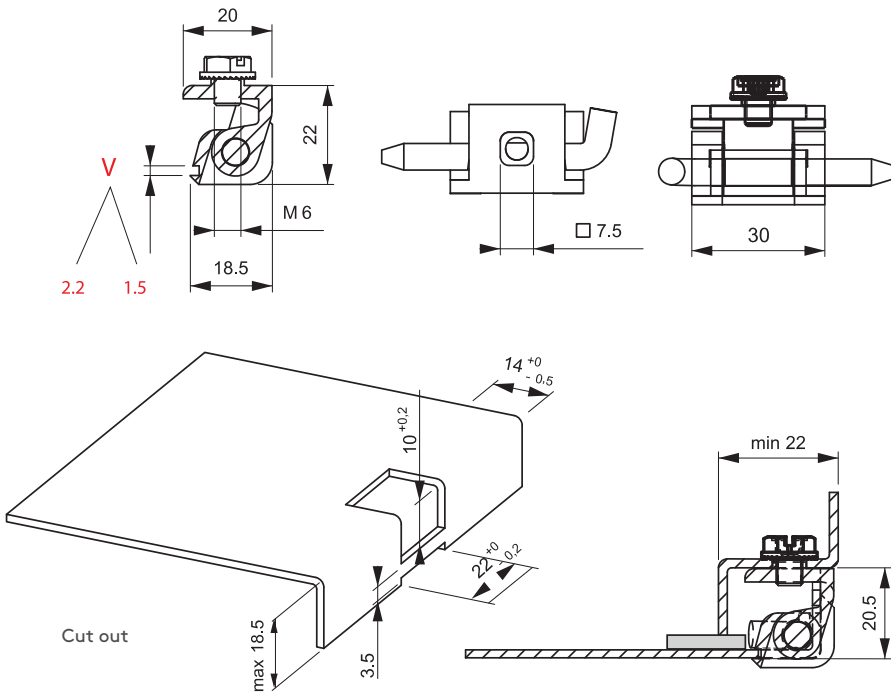


MATERIAL		M	FINISH		F
Zinc Alloy		1	Chrome		1
			Black coated		2



397

CORNER HINGE



- Corner hinge. Cut out helps provide greater resistance than 097 hinge.
- Steel frame part provides higher strength
- Suitable for steel panels with a thickness of between 1.0 mm and 1.5 mm
- Hinge pin available in four types

MATERIAL

BODY: Zinc Alloy DIN-EN 1774-ZnAl4Cu1
 FRAME PART: Steel

FINISH

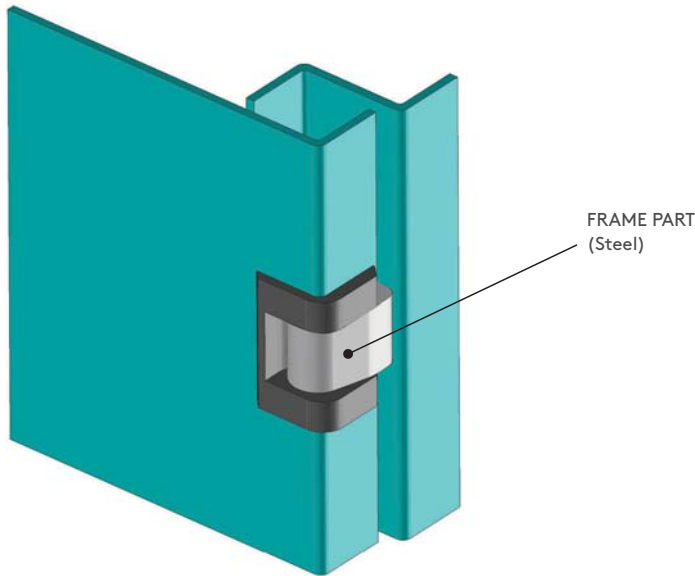
Chrome plated or black coated

V : 15

1.0 mm - 1.2 mm door plate thickness
 (397 M-F-P-15)

V : 22

1.5 mm door plate thickness
 (397 M-F-P-22)



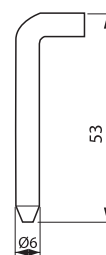
Hinge Rotation Angle



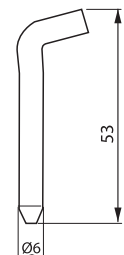
P= 1



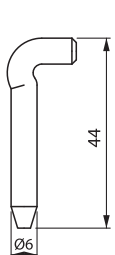
P= 2



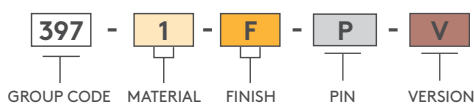
P= 3



P= 4



PRODUCT CODE

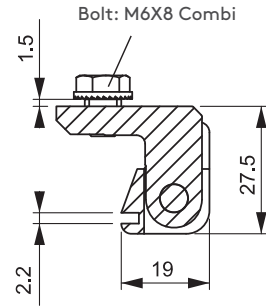
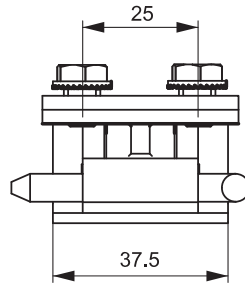


MATERIAL	M	FINISH	F
Zinc Alloy	1	Chrome	1
		Black coated	2

CORNER HINGES

CORNER HINGE

298



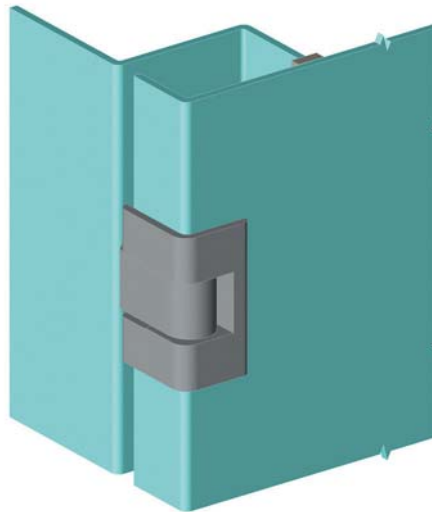
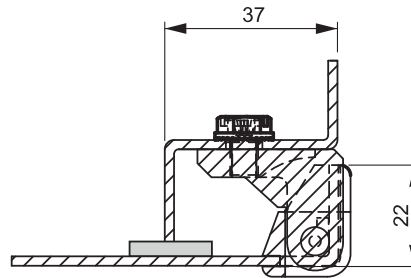
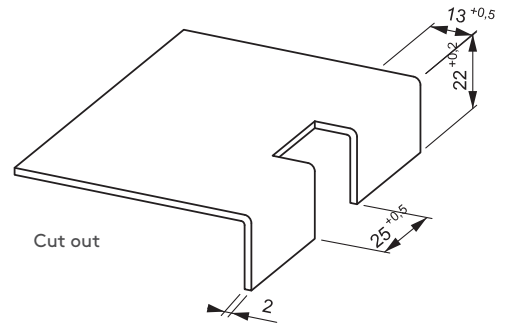
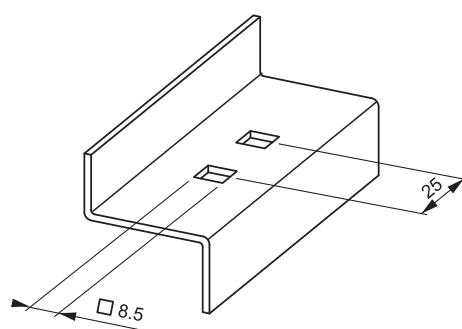
- Corner hinge. Suitable for steel panels with a thickness of between 1.5 mm and 2 mm
- Steel hinge pin
- With M6 threaded studs for internal fastening

MATERIAL

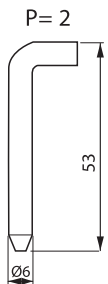
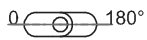
BODY: Zinc Alloy DIN-EN 1774-ZnAl4Cu1
 PIN: Steel

FINISH

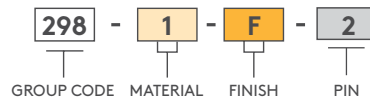
Chrome plated or black coated



Hinge Rotation Angle



PRODUCT CODE

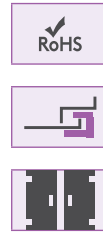


MATERIAL		M	FINISH		F
Zinc Alloy		1	Chrome		1
			Black coated		2



098

CORNER HINGE



- Suitable for steel panels with a thickness of between 1.5 mm and 2 mm
- Steel hinge pin

MATERIAL

BODY: Zinc Alloy DIN-EN 1774-ZnAl4Cu1
PIN: Steel

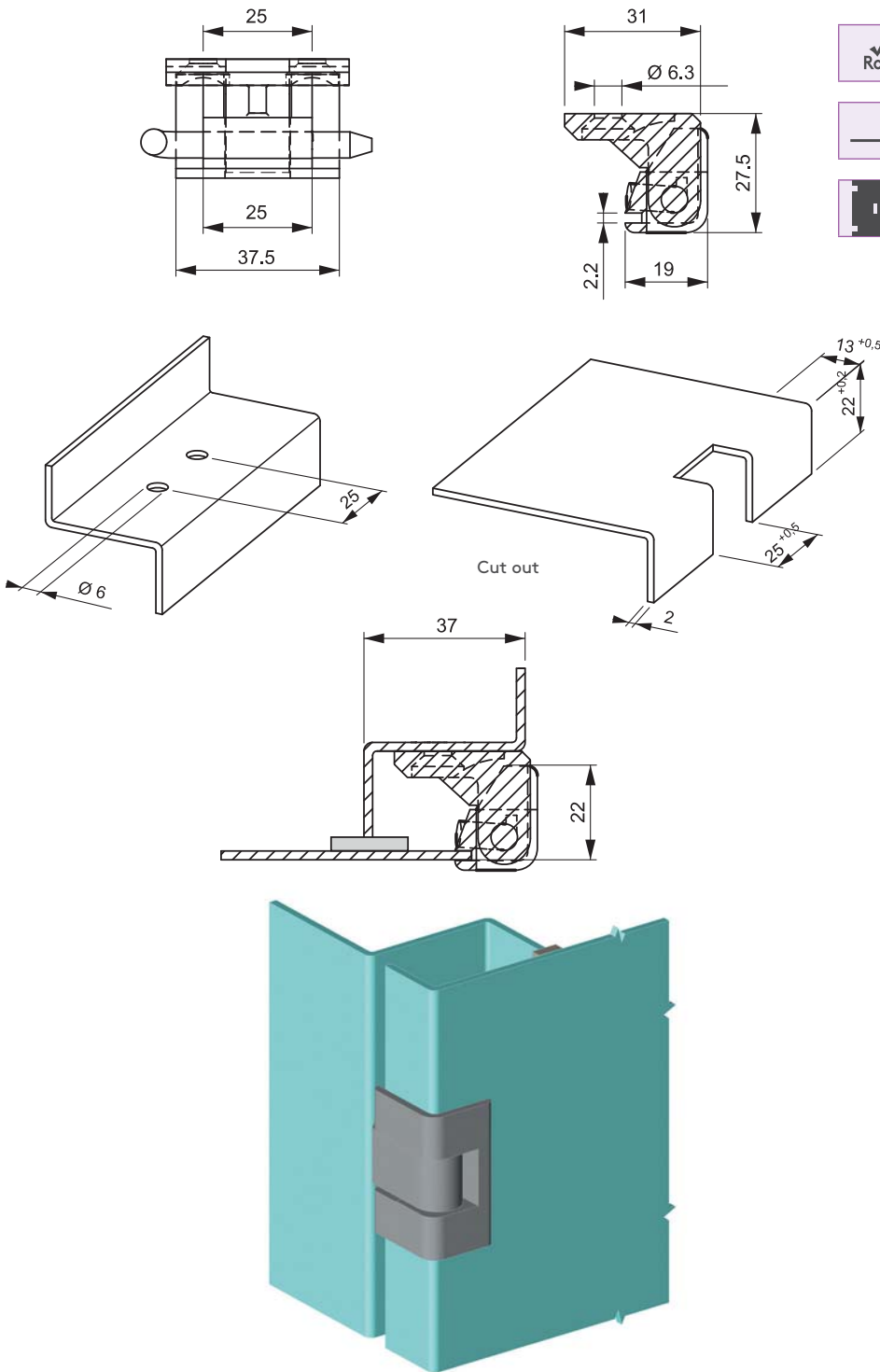
FINISH

Chrome plated or black coated

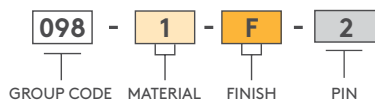
Hinge Rotation Angle



Note: Bolts are not supplied



PRODUCT CODE



MATERIAL	M	FINISH	F
Zinc Alloy	1	Chrome	1
		Black coated	2



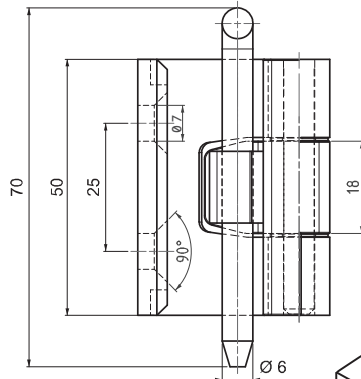
CORNER HINGES

CORNER HINGE

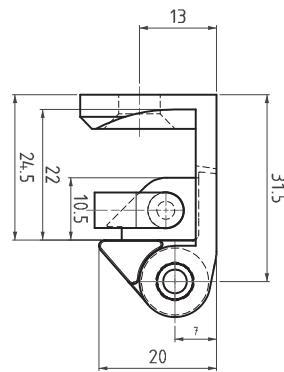
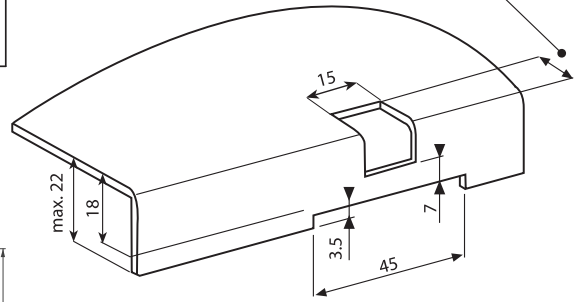
398



V : 2



Mounting dimensions
1.5 mm = 13 mm
2.0 mm = 15 mm



- Left and right versions available
- Maximum opening angle 180°
- Special cut out is necessary for cabinet door
- Stainless steel spacers are used between the hinge parts
- Suitable for 25 mm door bend cabinets

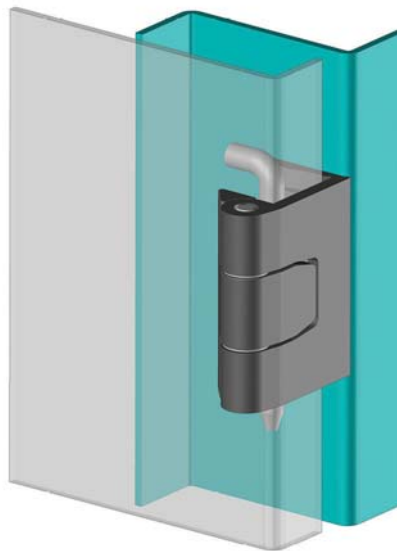
MATERIAL

BODY: Zinc Alloy DIN-EN 1774-ZnAl4Cu1

PIN: Steel

FINISH

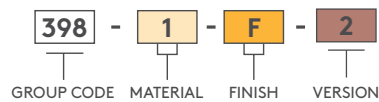
Chrome plated or black coated



Hinge Rotation Angle



PRODUCT CODE



! Note: Bolts are not supplied

MATERIAL	M	FINISH	F
Zinc Alloy	1	Chrome	1
		Black coated	2

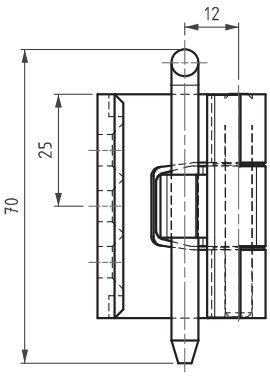
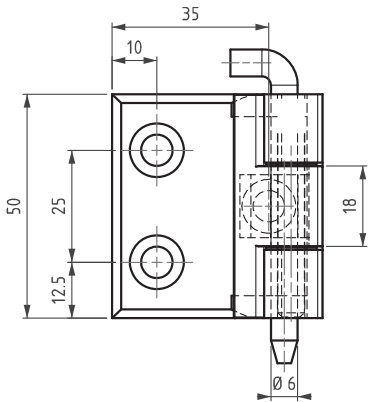


398

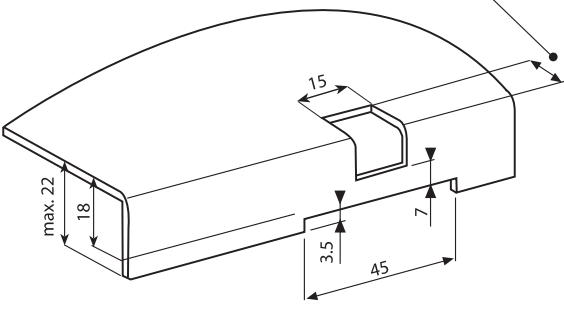
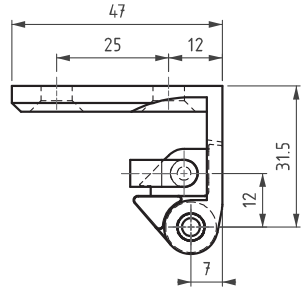
CORNER HINGE

V :1

- RoHS
-
-



Mounting dimensions
1.5 mm = 13 mm
2.0 mm = 15 mm



Cut out

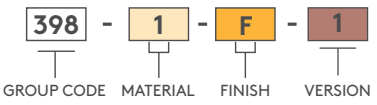
- Left and right versions available
- Maximum opening angle 180°
- Special cut out necessary for cabinet door
- Stainless steel spacers used between hinge parts
- Suitable for 25 mm door bend cabinets

MATERIAL
BODY: Zinc Alloy DIN-EN 1774-ZnAl4Cu1
PIN: Steel

FINISH
Chrome plated or black coated



PRODUCT CODE



MATERIAL	M	FINISH	F
Zinc Alloy	1	Chrome	1
		Black coated	2

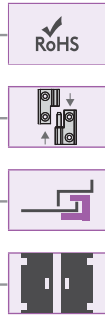
Hinge Rotation Angle
0 180°

Note: Bolts are not supplied

CORNER HINGES

CORNER HINGE

498



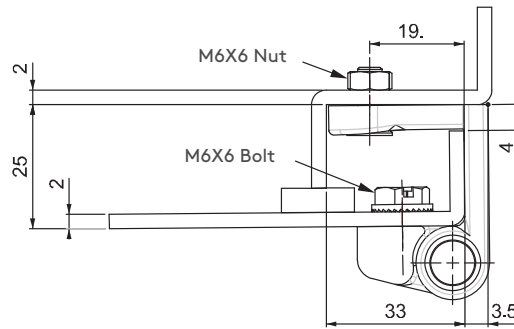
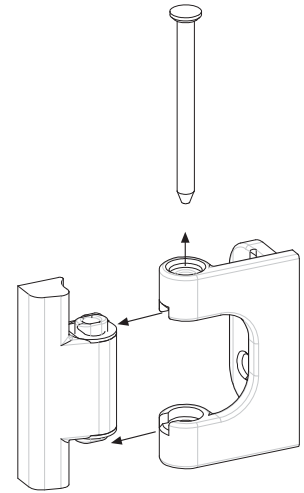
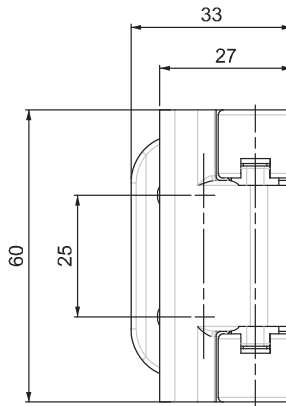
- Door can be removed when opened at 90° by withdrawing pin
- Suitable for 25 mm door bends

MATERIAL

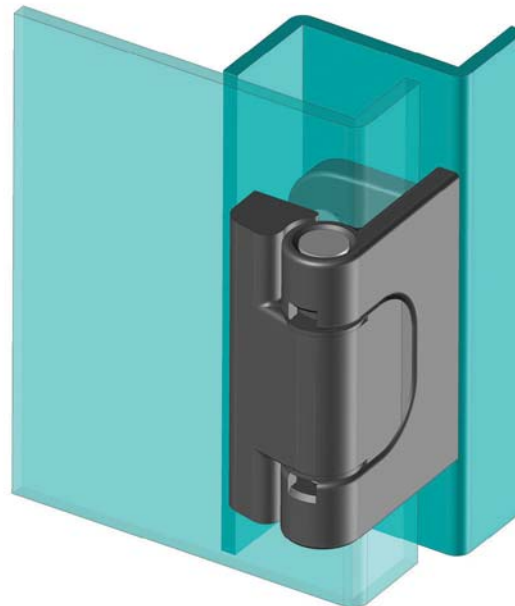
BODY: Zinc Alloy DIN-EN 1774-ZnAl4Cu1
 PIN: Plastic

FINISH

Chrome plated or black coated



Hinge Rotation Angle



⚠ Note: Bolts are not supplied

⚠ Note: The listing of this/these product(s) in the catalogue does not constitute an offer to sell any of those products in Germany

PRODUCT CODE

498 - 1 - F

GROUP CODE MATERIAL FINISH

MATERIAL		M	FINISH		F
Zinc Alloy		1	Chrome		1
			Black coated		2



400

CORNER HINGE

- RoHS
- Stud
- Polyamide



- For fitting to corner of doors with 16.5 mm bend
- M5 stud version available. Polyamide mounting supplied for fixing body.
- Budget-priced, polyamide version available

MATERIAL

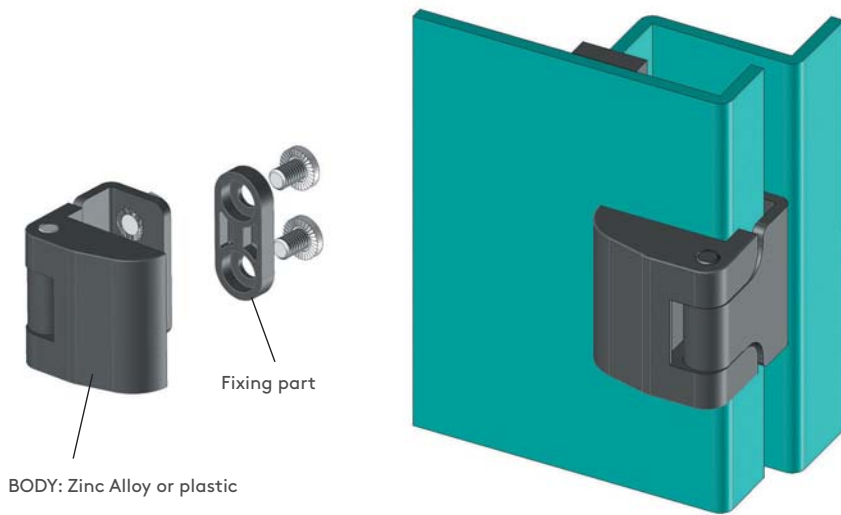
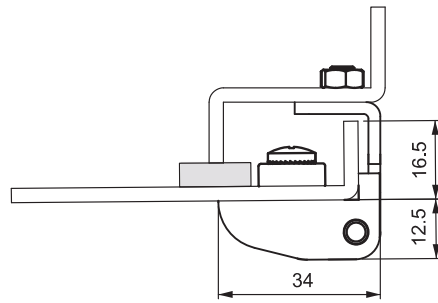
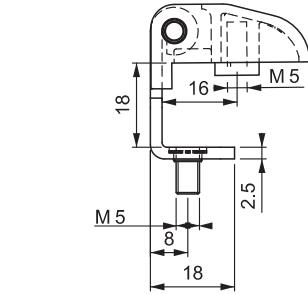
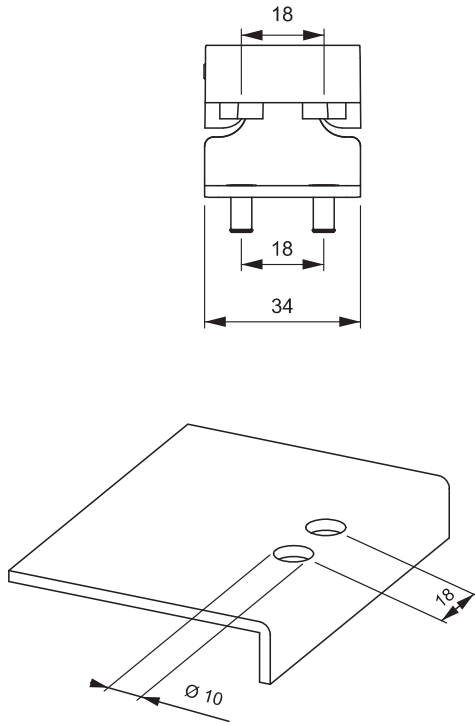
BODY : Zinc Alloy DIN-EN 1774-ZnAl4Cu1 or PA6 GFR 30

FIXED PART: Steel

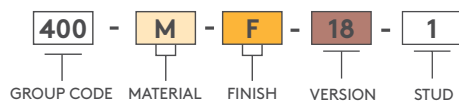
PIN: Steel

FINISH

Black coated



PRODUCT CODE



MATERIAL	M	FINISH	F
Zinc Alloy	1	Black coated	2
Plastic	2	No finish	0

Hinge Rotation Angle



CORNER HINGES

CORNER HINGE

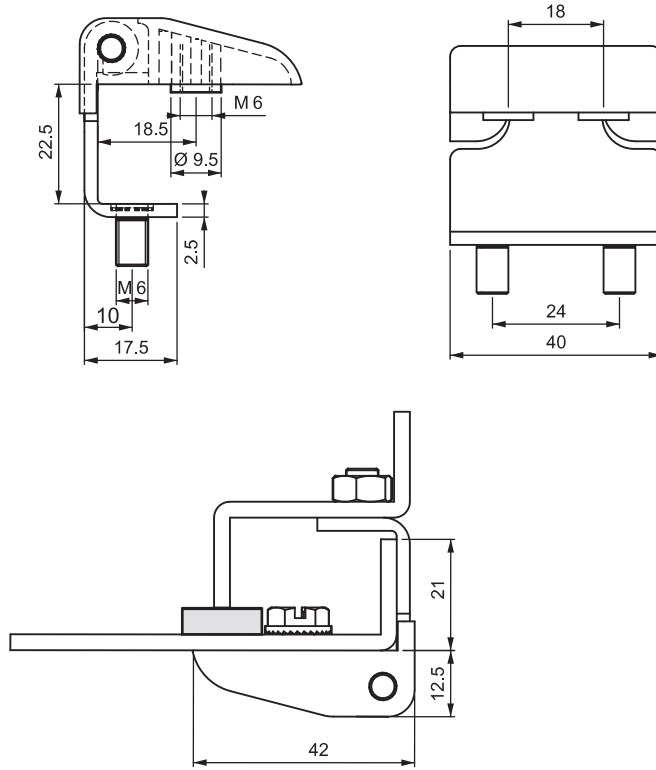
200



Hole



Stud



- For fitting to corner of doors with 21 mm bend
- Stud version available, using M6 studs

MATERIAL

BODY: Zinc Alloy DIN-EN 1774-ZnAl4Cu1
 FRAME PART: Steel
 PIN: Steel

FINISH

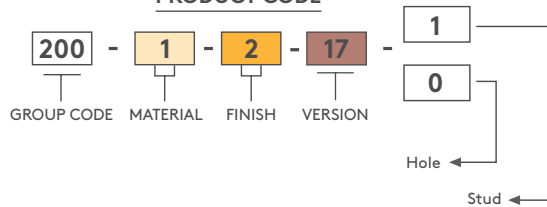
Black coated



Hinge Rotation Angle



PRODUCT CODE

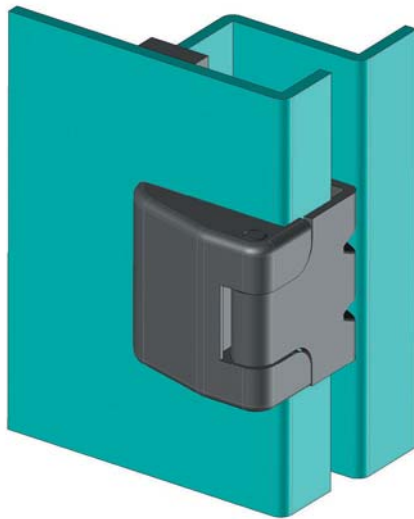
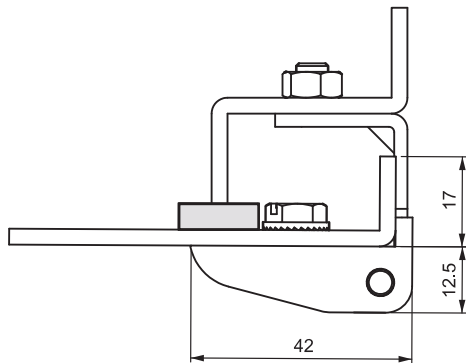
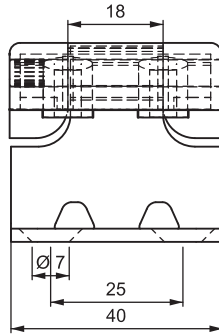
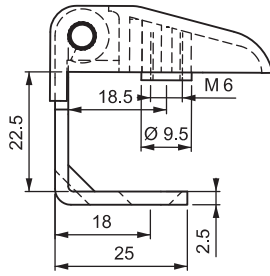


MATERIAL	M	FINISH	F
Zinc Alloy	1	Black coated	2



200

CORNER HINGE



MATERIAL

BODY: Zinc Alloy DIN-EN 1774-ZnAl4Cu1

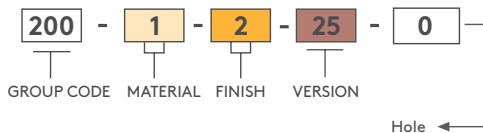
FRAME PART: Steel

PIN: Steel

FINISH

Black coated

PRODUCT CODE



Hinge Rotation Angle



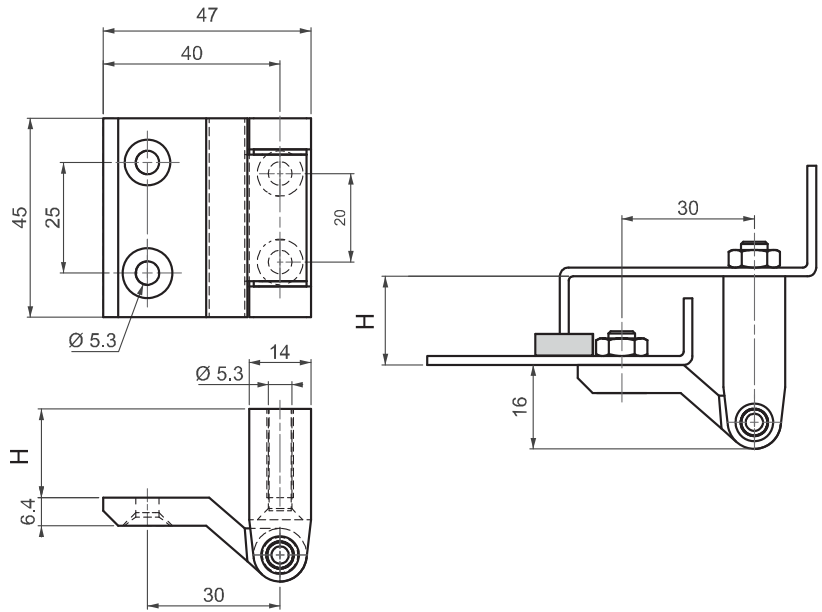
Note: Bolts are not supplied

MATERIAL	M	FINISH	F
Zinc Alloy	1	Black coated	2

CORNER HINGES

CORNER HINGE

100



- Designed for plain/flush-mounted and side-mounted doors
- For side-mounted doors with a bend between 2 mm and 30 mm
- Hardened steel hinge pin

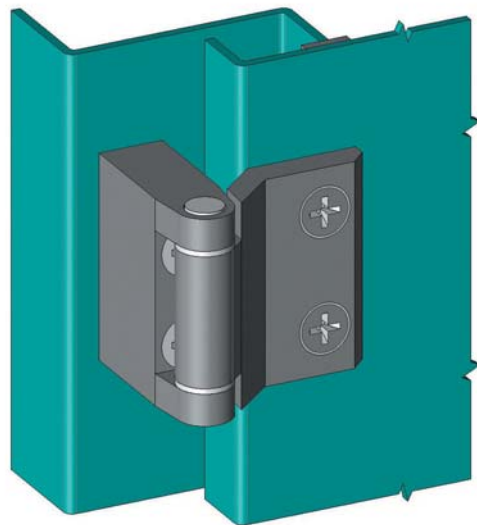
MATERIAL

BODY: Zinc Alloy DIN-EN 1774-ZnAl4Cu1
 PIN: Steel
 BEARING: Delrin

FINISH

Black coated

H
02
03
05
07
10
15
17
20
25
27
30

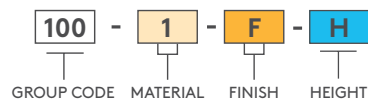


Hinge Rotation Angle



⚠ Note: Bolts are not supplied

PRODUCT CODE



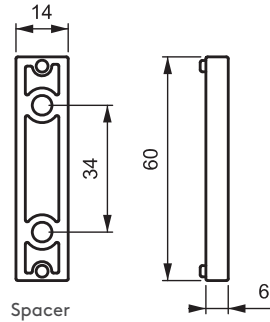
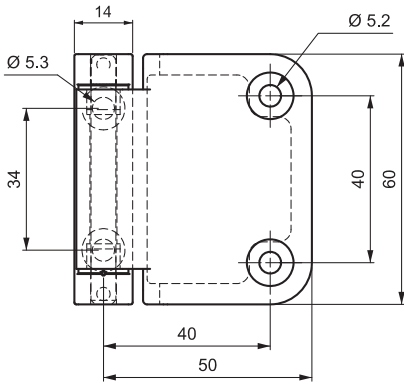
MATERIAL	M	FINISH	F
Zinc Alloy	1	Chrome	1
		Black coated	2



600

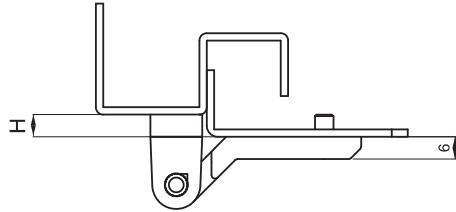
CORNER HINGE

V : 3



Spacer

Spacer application
600 1-2-H-3



H
06
12
18



- Stainless steel version: page 502
- Designed for plain, side-mounted doors
- For side-mounted doors with a bend of 0-15 mm
- Pin and plastic guides supplied separately

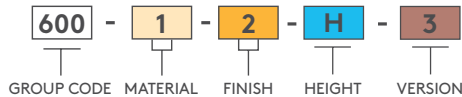
MATERIAL

BODY: Zinc Alloy DIN-EN 1774-ZnAl4Cu1
 PIN: Steel
 BEARING: Delrin

FINISH

Black coated

PRODUCT CODE



MATERIAL	M	FINISH	F
Zinc Alloy	1	Black coated	2

Hinge Rotation Angle



Note: Bolts are not supplied

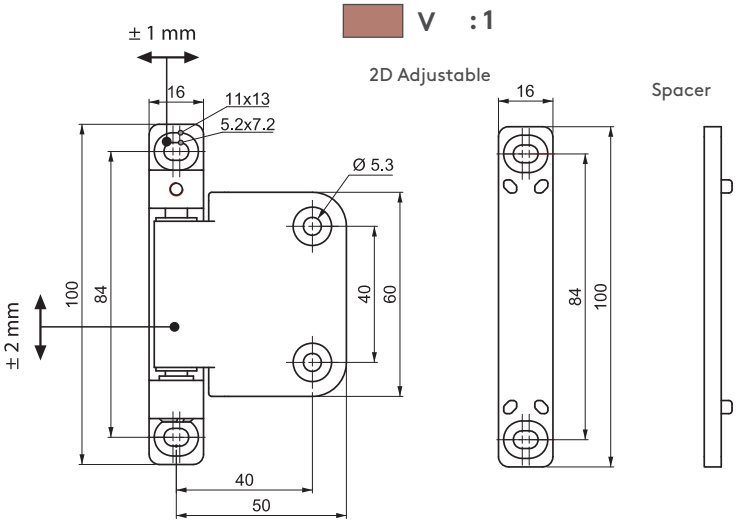
CORNER HINGES

HVAC HINGE (2D)

600



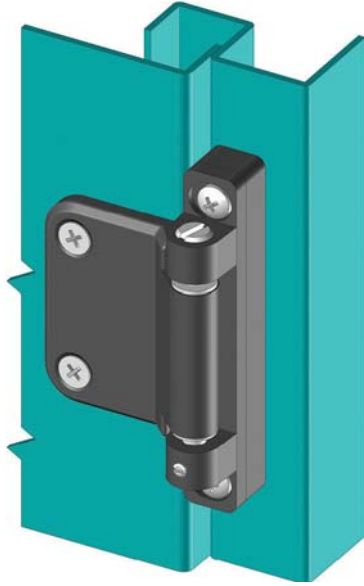
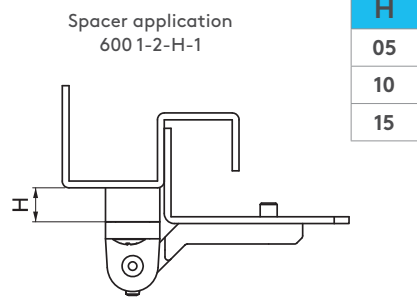
- RoHS
- 2D
- ± 2 mm
- ± 1 mm



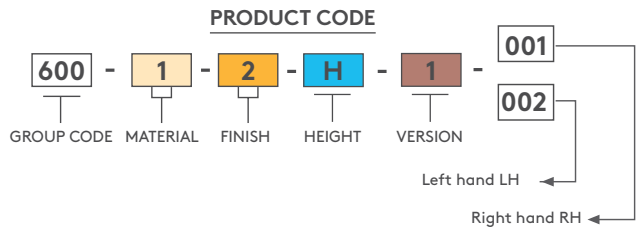
- Designed for plain, side-mounted doors
- For side-mounted doors with a bend of 0-15 mm
- Hinge supplied pre-assembled to decrease labour costs
- Two-dimensional door adjustments possible
- Axial adjustment is ± 2 mm. Radial adjustment is ± 1 mm

MATERIAL
 BODY: Zinc Alloy DIN-EN 1774-ZnAl4Cu1
 PIN: Steel
 BEARING: Delrin

FINISH
 Black coated



Note: Bolts are not supplied

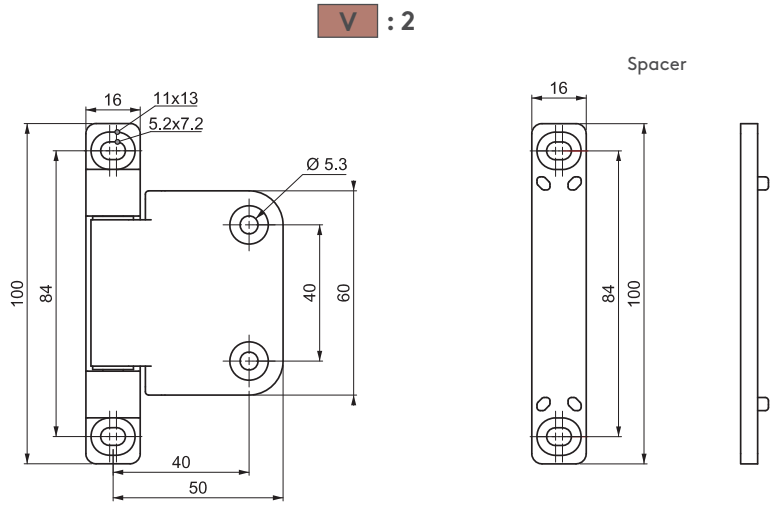


MATERIAL	M	FINISH	F
Zinc Alloy	1	Black coated	2



600

HVAC HINGE



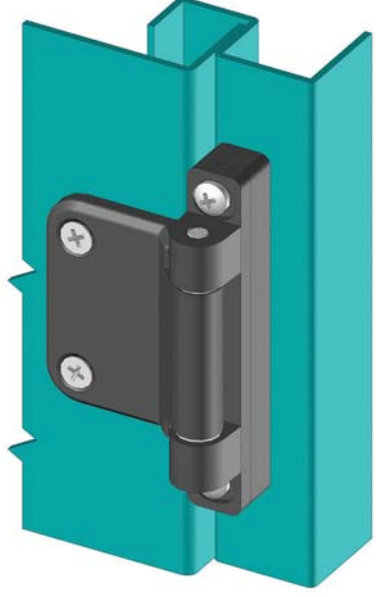
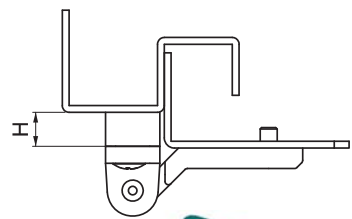
V : 2



- Designed for plain, side-mounted doors
- For side-mounted doors with a bend of 5-15 mm
- Hinge supplied pre-assembled to decrease labour costs

Spacer application
600 1-2-H-2

H
05
10
15



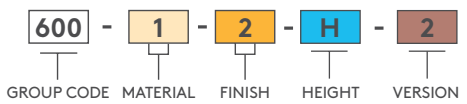
MATERIAL

BODY: Zinc Alloy DIN-EN 1774-ZnAl4Cu1
PIN: Steel
BEARING: Delrin

FINISH

Black coated

PRODUCT CODE



Hinge Rotation Angle



MATERIAL	M	FINISH	F
Zinc Alloy	1	Black coated	2

Note: Bolts are not supplied

CORNER HINGES

HVAC HINGE (2D)

700



2D



- Designed for plain, side-mounted doors
- For side-mounted doors with a bend of 2-12 mm
- Hinge supplied pre-assembled to decrease labour costs
- Two-dimensional door adjustments possible
- Axial adjustment is ± 2 mm. Radial adjustment is ± 1 mm

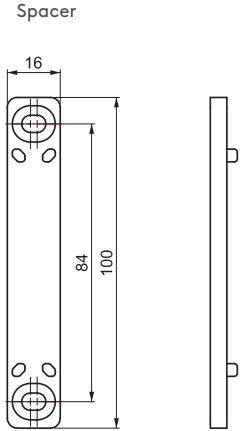
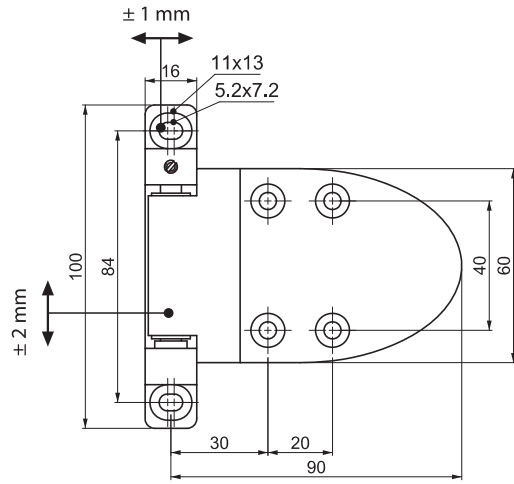
MATERIAL

BODY: Zinc Alloy DIN-EN 1774-ZnAl4Cu1
 PIN: Steel
 BEARING: Delrin

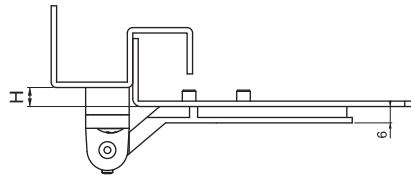
FINISH

Black coated

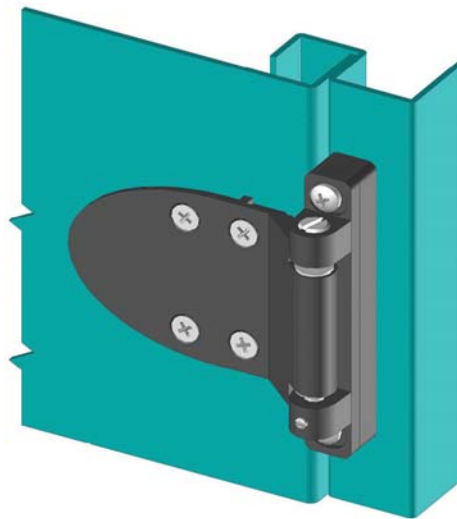
V : 1



Spacer application
700 1-2-H-1



H
02
07
12

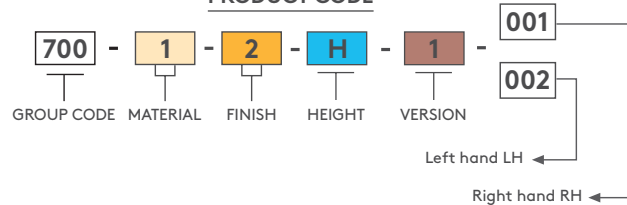


Hinge Rotation Angle



Note: Bolts are not supplied

PRODUCT CODE



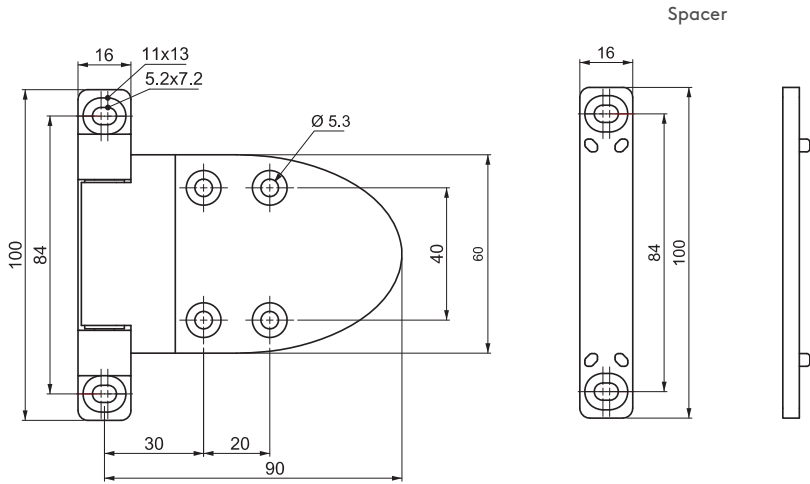
MATERIAL	M	FINISH	F
Zinc Alloy	1	Black coated	2



700

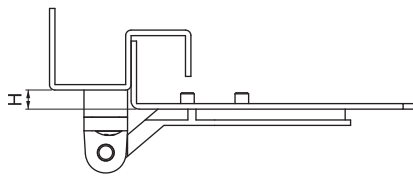
HVAC HINGE

V : 2



- Designed for plain, side-mounted doors
- For side mounted doors with a bend of 2-12 mm
- Hinge supplied pre-assembled to decrease customer labour costs

Spacer application
700 1-2-H-2



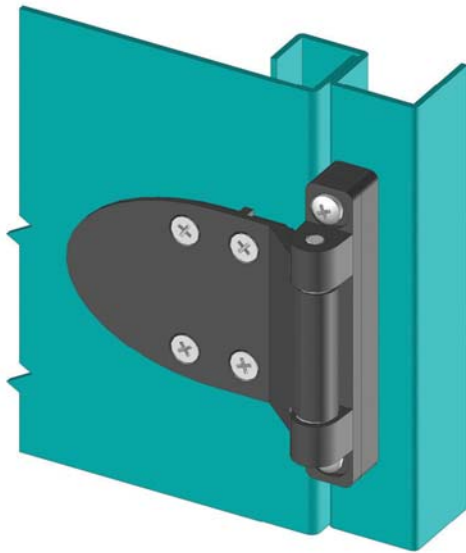
H
02
07
12

MATERIAL

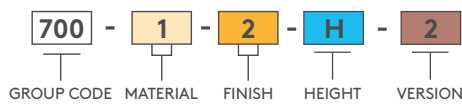
BODY: Zinc Alloy DIN-EN 1774-ZnAl4Cu1
PIN: Steel
BEARING: Delrin

FINISH

Black coated



PRODUCT CODE



MATERIAL	M	FINISH	F
Zinc Alloy	1	Black coated	2

Hinge Rotation Angle



Note: Bolts are not supplied

HINGES

FLAT HINGES

GROUP CODE	PRODUCT NAME
1299	MINI LEAF HINGE
299	LEAF HINGE
199	LEAF HINGE
099	LEAF HINGE
399	LEAF HINGE
1399	LEAF HINGE
1699	LEAF HINGE
1499	LEAF HINGE
900	LEAF HINGE
899	LEAF HINGE
499	LEAF HINGE
599	LEAF HINGE
1599	LEAF HINGE
799	LEAF HINGE
2899	LEAF HINGE
4299	LIFT-OFF HINGE
1199	LEAF HINGE
2199	TORQUE HINGE
2099	TORQUE HINGE
2599	INDEX HINGE
2399	ADJUSTABLE TORQUE HINGE
2499	ADJUSTABLE TORQUE HINGE
699	LIFT-OFF HINGE
100	HINGE WITH BEARING
600	HINGE WITH BEARING
700	HVAC HINGE
800	HVAC HINGE
500	HVAC HINGE
300	HVAC HINGE
693	HINGE WITH BEARING
340.0.8023	TRUCK CARRIER HINGE



PAGE

359

360

361

362 - 363

364- 365

366 - 367

368

369

370

371

372

373

374 - 375

376

377

378

379

380

380

381

382

383

384 - 385

386

387 - 389

390 - 391

392

393

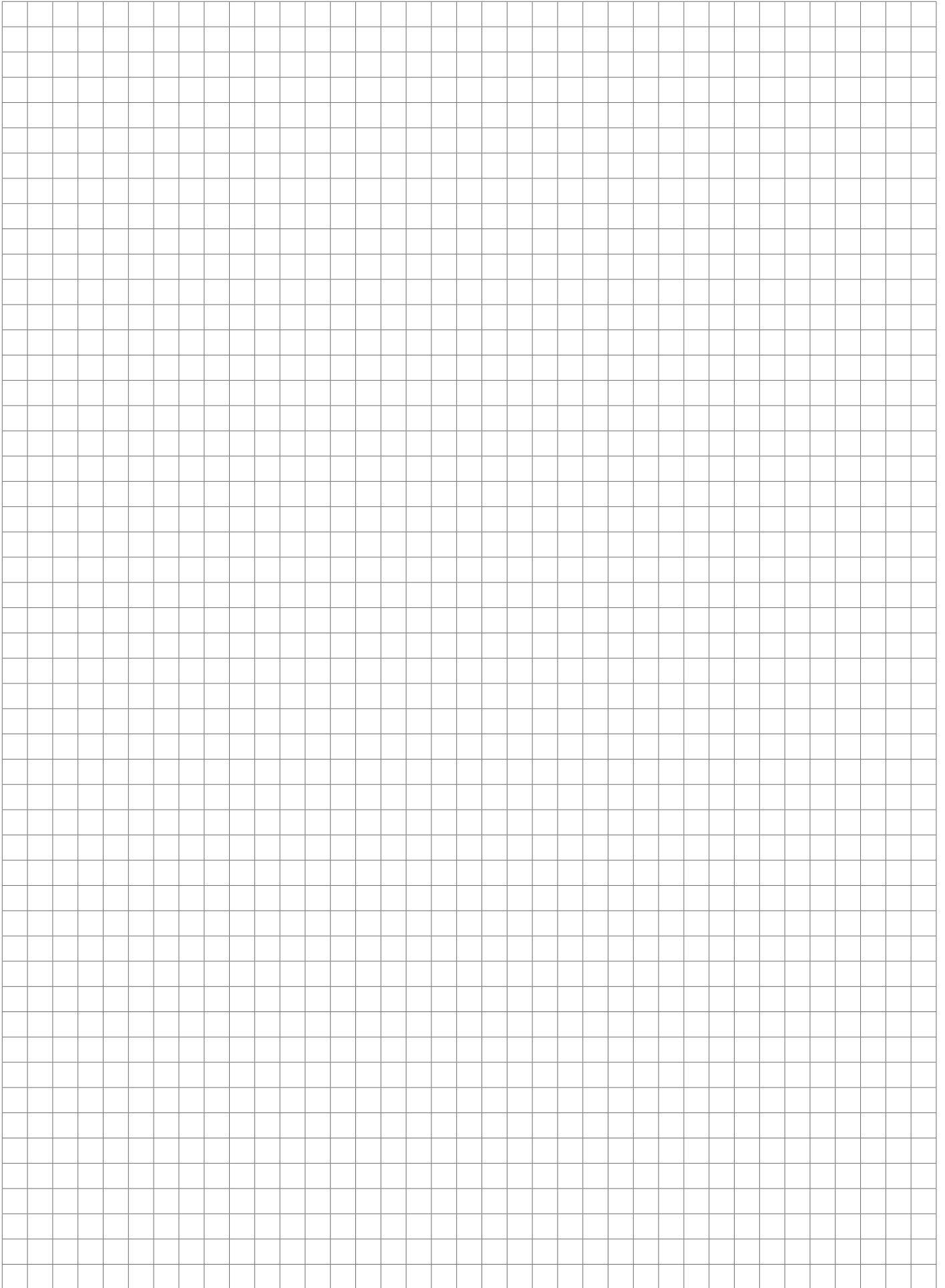
394

395

396

396

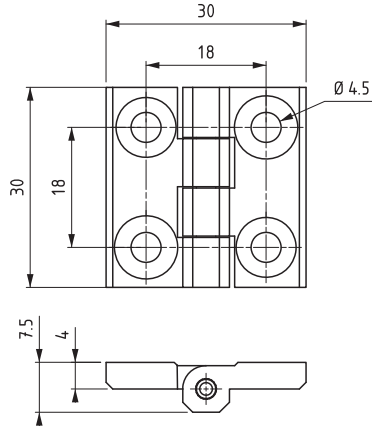
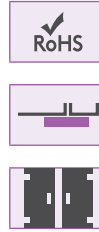






1299

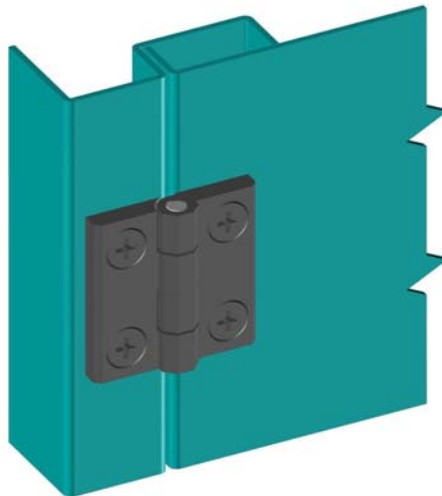
MINI LEAF HINGE



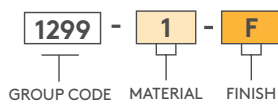
- Stainless steel version: page 502
- Generally used for plain/small flush mounted doors.
- Opening angle is 270°

MATERIAL

BODY: Zinc Alloy DIN-EN 1774-ZnAl4Cu1
 PIN: Stainless Steel



PRODUCT CODE



MATERIAL		FINISH	
	M		F
Zinc Alloy	1	Chrome	1
		Black coated	2

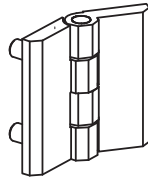
Hinge Rotation Angle



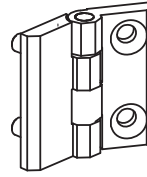
FLAT HINGES

LEAF HINGE

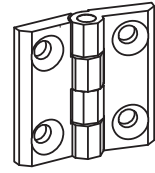
299



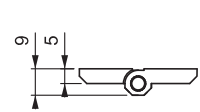
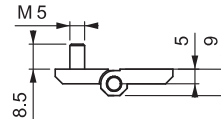
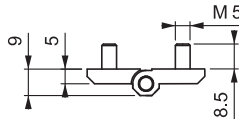
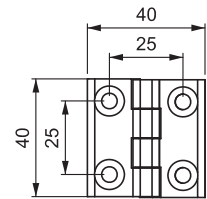
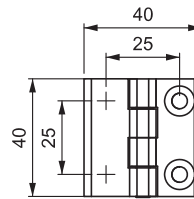
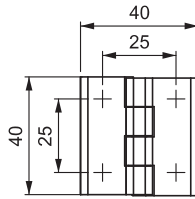
V : 1



V : 2



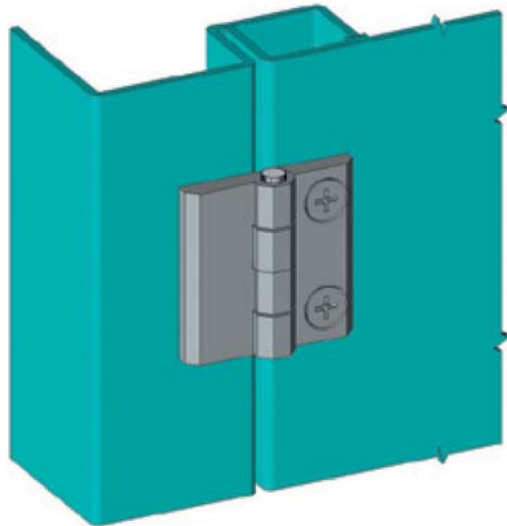
V : 3



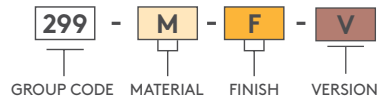
- **Stainless steel version: page 504**
- Generally used for plain/flush mounted doors
- Stud versions fitted with M5 x 8.5 mm threaded stud
- Stainless steel (AISI 304) hinge pin.
- Maximum hinge rotation 270°

MATERIAL

BODY: Zinc Alloy DIN-EN 1774-ZnAl4Cu1
PIN: Stainless Steel



PRODUCT CODE



Hinge Rotation Angle

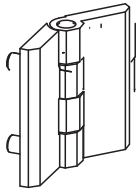


MATERIAL	M	FINISH	F
Zinc Alloy	1	Chrome	1
		Black coated	2
Plastic	2	No finish	0

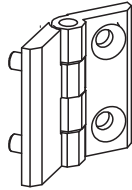


199

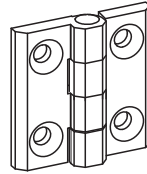
LEAF HINGE



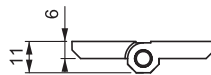
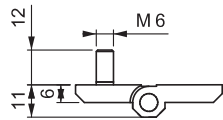
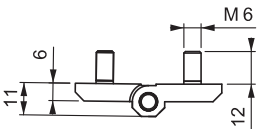
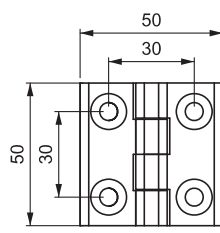
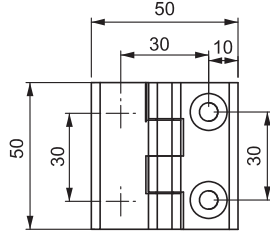
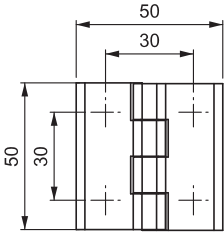
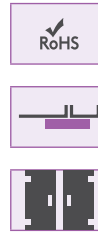
V : 1



V : 2



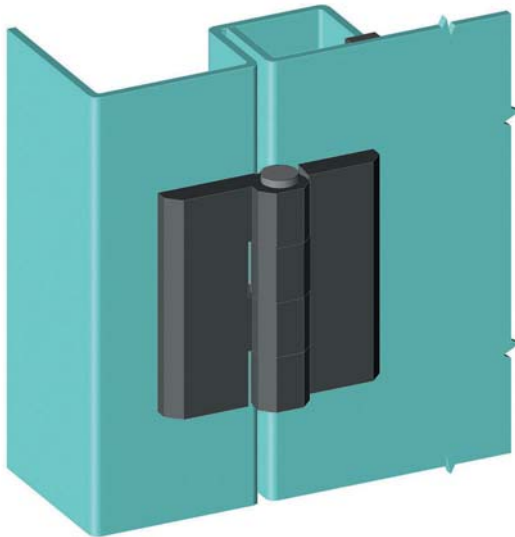
V : 3



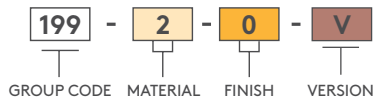
- Generally used for plain/flush-mounted doors
- Stud versions fitted with M6 x 12 mm threaded stud
- Stainless steel (AISI 304) hinge pin.
- Maximum hinge rotation 270°

MATERIAL

BODY: Polyamide DIN-EN ISO 1043-1 PA 6 GFR 30
 PIN: Stainless Steel



PRODUCT CODE



MATERIAL	M	FINISH	F
Plastic	2	No finish	0

Hinge Rotation Angle



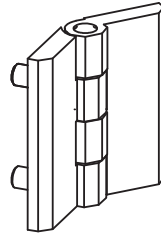
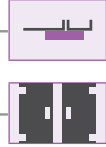
FLAT HINGES

LEAF HINGE

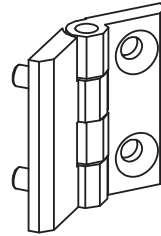
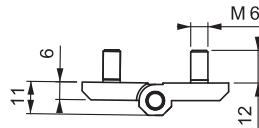
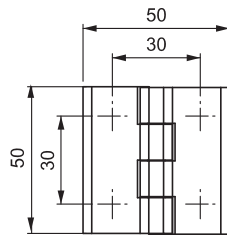
099



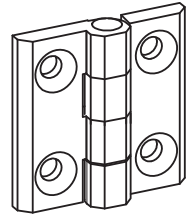
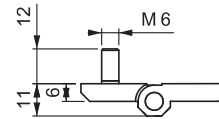
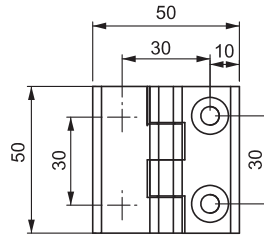
RoHS



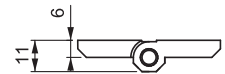
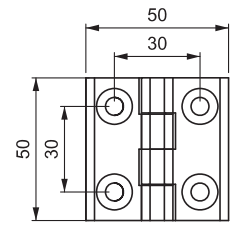
V : 1



V : 2



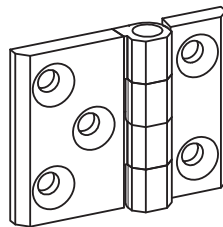
V : 4



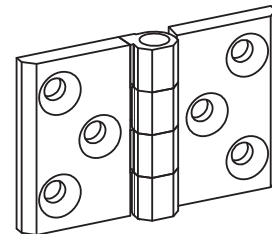
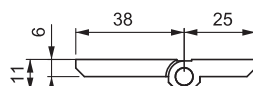
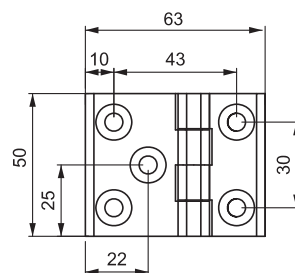
- Stainless steel version page 504
- Generally used for plain/flush-mounted doors
- Stud versions fitted with M6 x 12 mm threaded stud
- Stainless steel (AISI 304) hinge pin.
- Maximum hinge rotation 270°
- Available in three sizes, hole or stud fixing:
 - 50 mm x 50 mm
 - 50 mm x 63 mm
 - 50 mm x 76 mm

MATERIAL

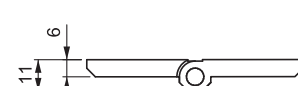
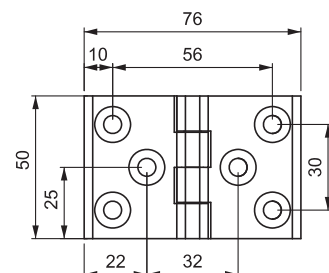
BODY: Zinc Alloy DIN-EN 1774-ZnAl4Cu1
PIN: Stainless Steel



V : 5



V : 6



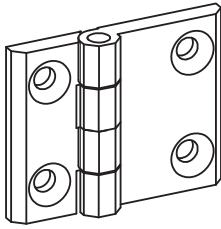
Hinge Rotation Angle



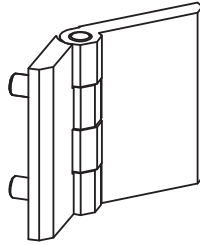


099

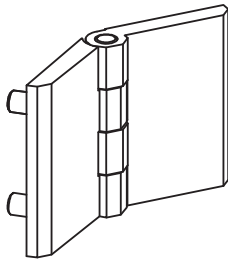
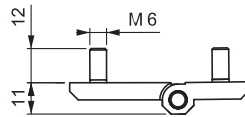
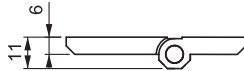
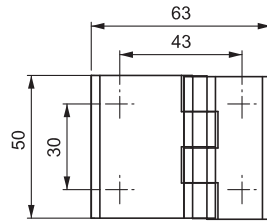
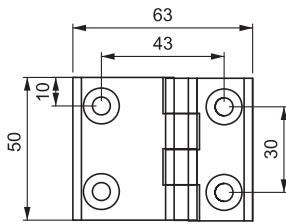
LEAF HINGE



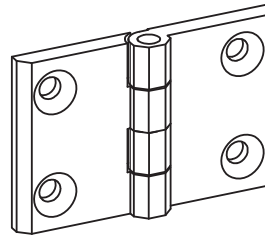
V : 7



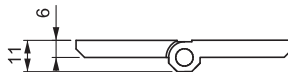
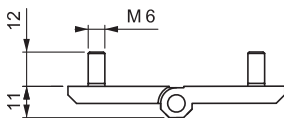
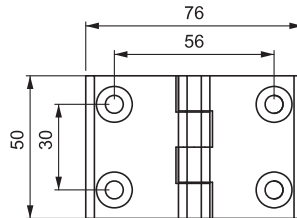
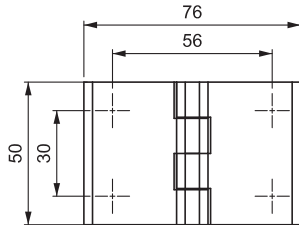
V : 8



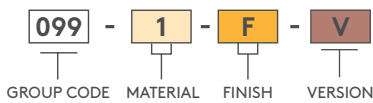
V : 9



V : 10



PRODUCT CODE



MATERIAL	M	FINISH	F
Zinc Alloy	1	Chrome	1
		Black coated	2

MATERIAL
 BODY: Zinc Alloy DIN-EN 1774-ZnAl4Cu1
 PIN: Stainless Steel

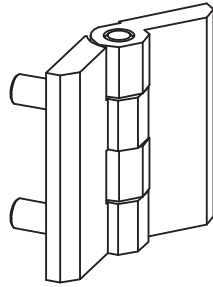
Hinge Rotation Angle



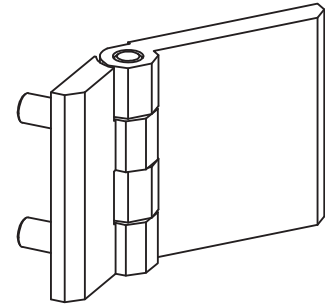
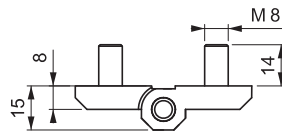
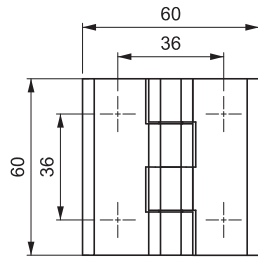
FLAT HINGES

LEAF HINGE

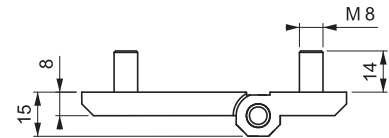
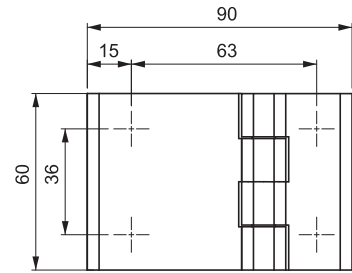
399



V : 1



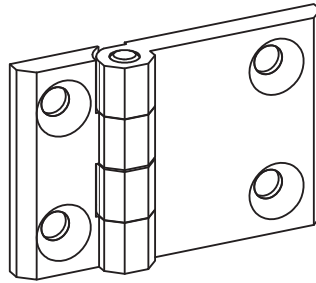
V : 2



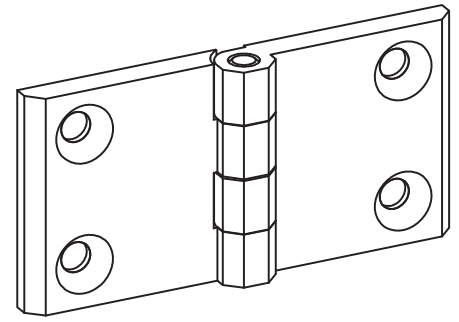
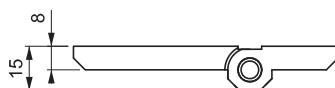
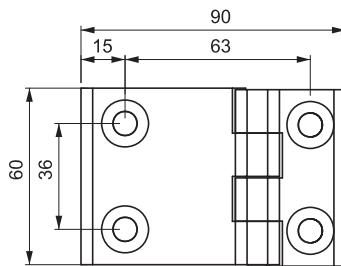
- Generally used for plain/flush-mounted, isolated heavy doors
- Stud versions fitted with M8 x 14 mm threaded stud
- Stainless steel (AISI 304) hinge pin
- Available in three sizes, hole or stud fixing:
 - 60 mm x 60 mm
 - 60 mm x 90 mm
 - 60 mm x 120 mm

MATERIAL

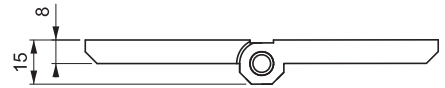
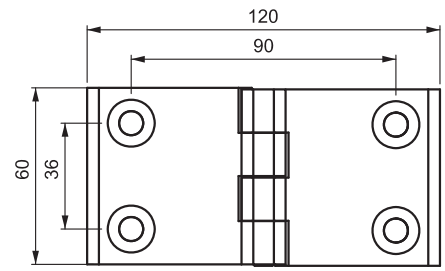
BODY: Zamak DIN-EN 1774-ZnAl4Cu1
PIN: Stainless Steel



V : 5



V : 6



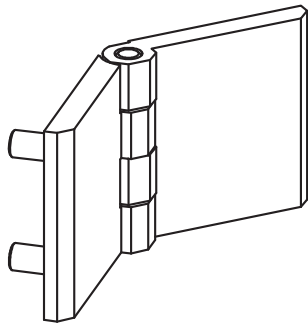
Hinge Rotation Angle



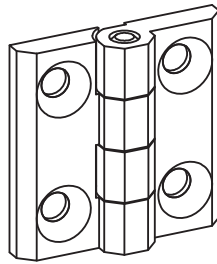


399

LEAF HINGE



V : 3



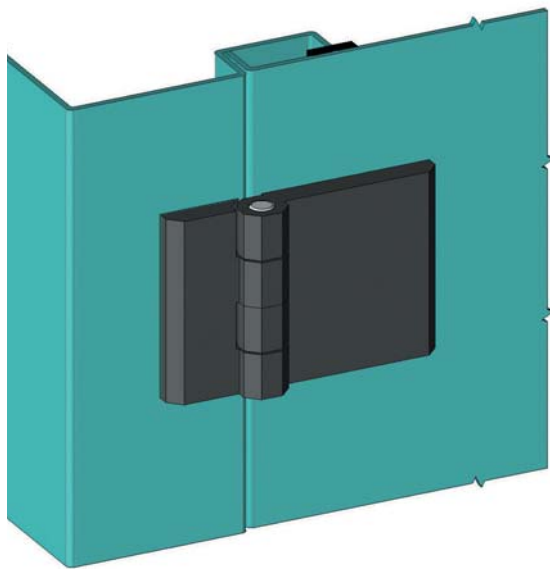
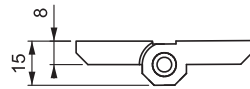
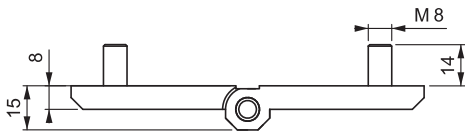
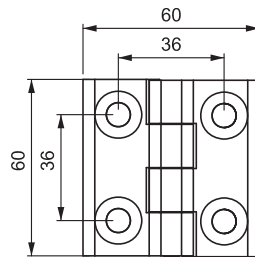
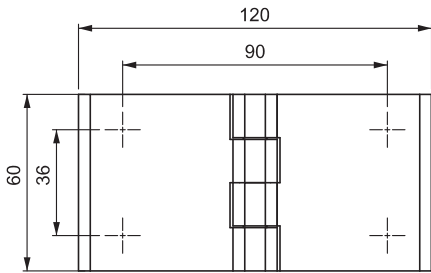
V : 4



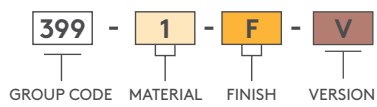
• Stainless Steel version page 505

MATERIAL

BODY: Zinc Alloy DIN-EN 1774-ZnAl4Cu1
PIN: Stainless Steel



PRODUCT CODE



MATERIAL	M	FINISH	F
Zinc Alloy	1	Chrome	1
		Black coated	2

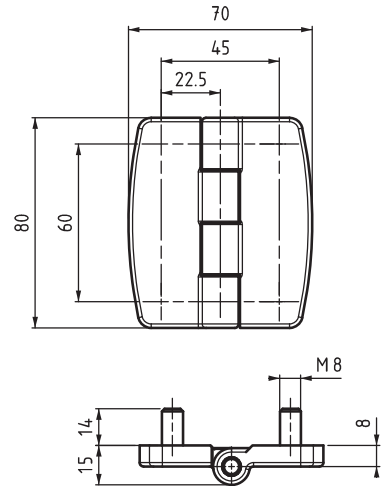
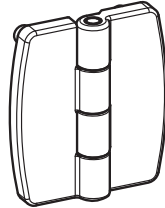
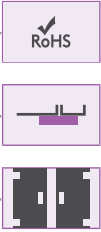
Hinge Rotation Angle



FLAT HINGES

LEAF HINGE

1399



V :1

- Generally used for plain/flush-mounted, isolated, heavy doors
- Stud versions fitted with M8 x 14 mm threaded stud
- Stainless steel (AISI 304) hinge pin.
- Available in three sizes, stud fixing:
 - 80 mm x 70 mm
 - 80 mm x 110 mm
 - 80 mm x 150 mm

MATERIAL

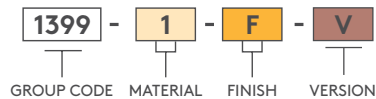
BODY: Zamak DIN-EN 1774-ZnAl4Cu1
 PIN: Stainless Steel



Hinge Rotation Angle



PRODUCT CODE



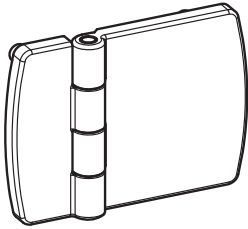
MATERIAL		FINISH	
	M		F
Zinc Alloy	1	Chrome	1
		Black coated	2



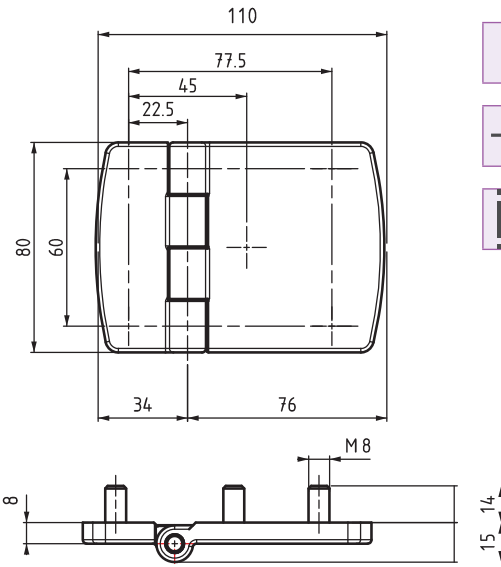
1399

LEAF HINGE

RoHS



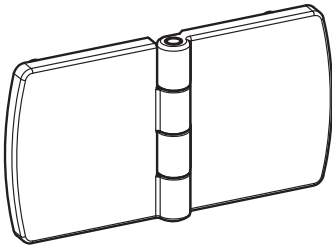
V : 2



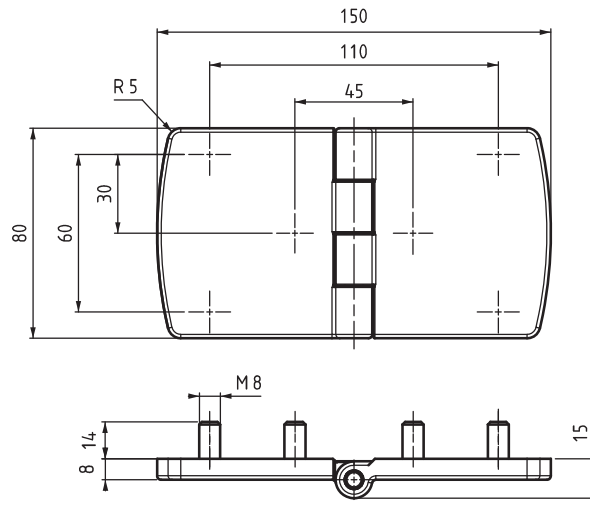
- Generally used for plain/flush-mounted, isolated, heavy doors
- Stud versions fitted with M8 x 14 mm threaded stud
- Stainless steel (AISI 304) hinge pin
- Available in three sizes, stud fixing:
 - 80 mm x 70 mm
 - 80 mm x 110 mm
 - 80 mm x 150 mm

MATERIAL

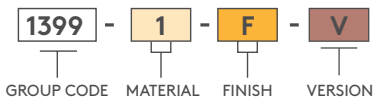
BODY: Zamak DIN-EN 1774-ZnAl4Cu1
PIN: Stainless Steel



V : 3



PRODUCT CODE



MATERIAL	M	FINISH	F
Zinc Alloy	1	Chrome	1
		Black coated	2

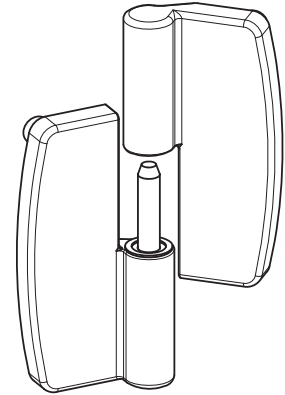
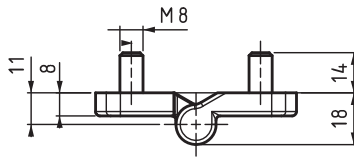
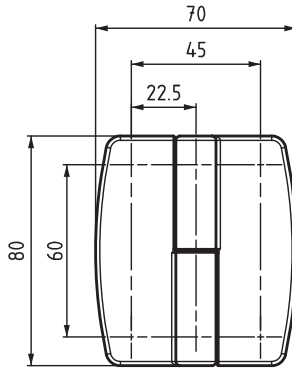
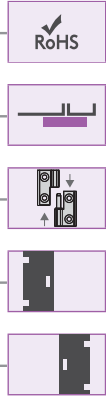
Hinge Rotation Angle



FLAT HINGES

LEAF HINGE

1699



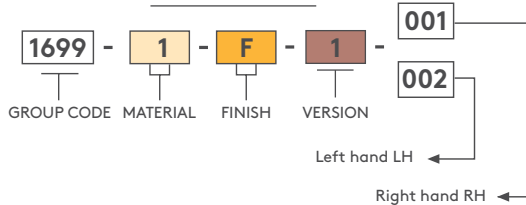
- Concealed mounting-screws prevent external access to hinge
- Designed for plain/flush-mounted doors
- Suitable for left- and right-hand applications

MATERIAL

BODY: Zinc Alloy DIN-EN 1774-ZnAl4Cu1
 PIN: Stainless Steel



PRODUCT CODE



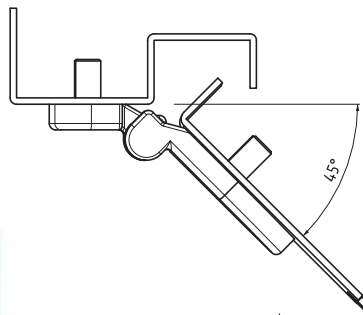
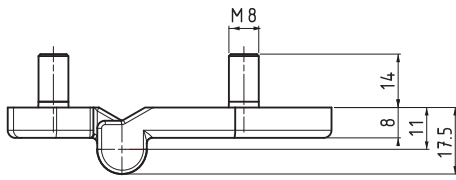
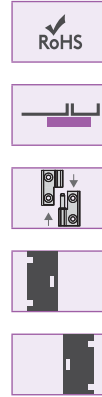
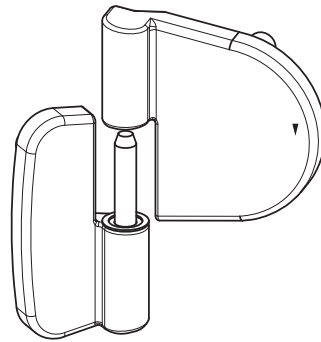
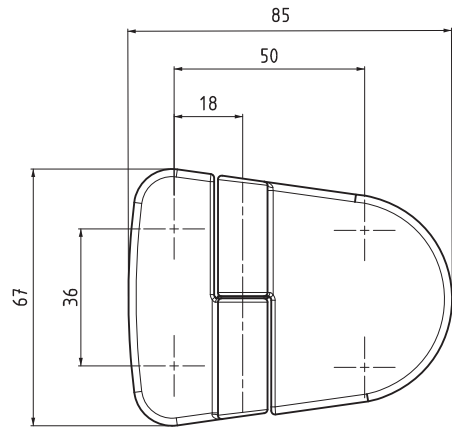
MATERIAL	M
Zinc Alloy	1

FINISH	F
Chrome	1
Black coated	2

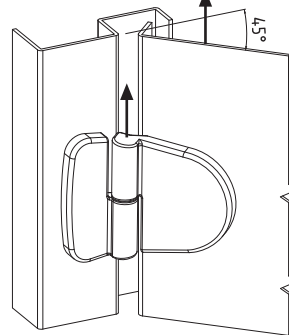
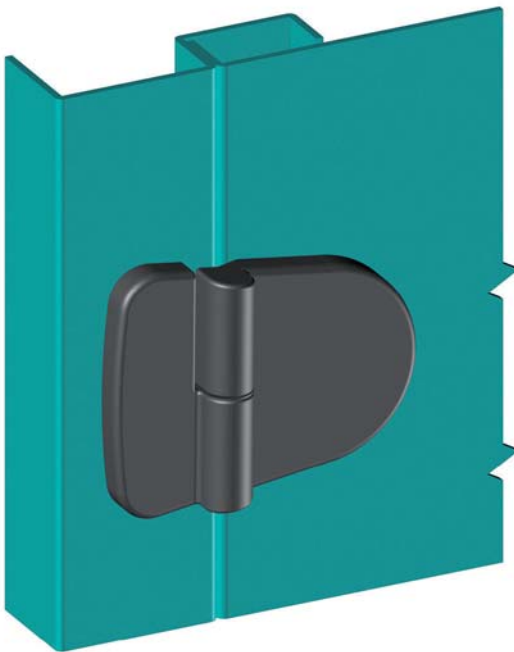


1499

LIFT-OFF HINGE



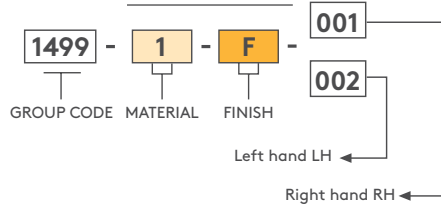
- Concealed mounting screws prevent external access to hinge
- Design for plain/flush-mounted doors
- Suitable for left- and right-hand applications



MATERIAL

BODY: Zinc Alloy DIN-EN 1774-ZnAl4Cu1
PIN: Stainless Steel

PRODUCT CODE

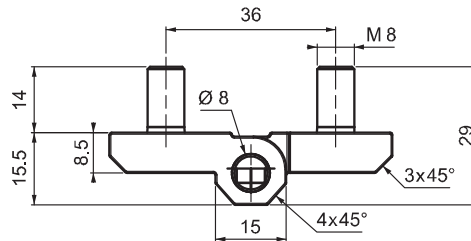
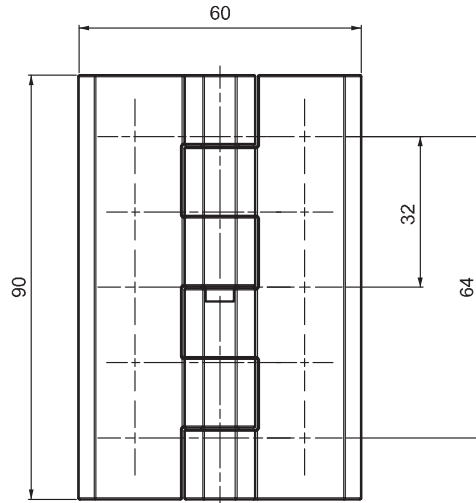
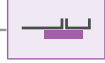


MATERIAL	M	FINISH	F
Zinc Alloy	1	Chrome	1
		Black coated	2

FLAT HINGES

LEAF HINGE

900



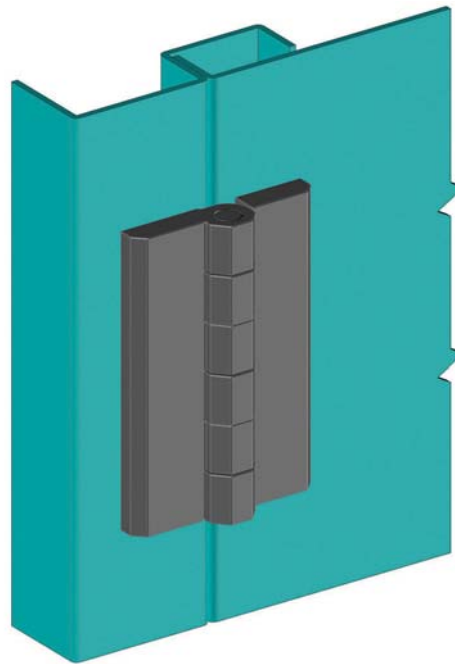
- Generally used for plain/flush-mounted doors and insulated panels
- Provides strong fixing by 6 pcs. M8 bolts
- Opening angle 270°

MATERIAL

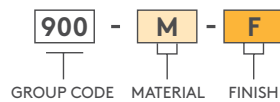
BODY: Zamak DIN-EN 1774-ZnAl4Cu1
 PIN: Stainless Steel
 SCREW: Steel

FINISH

Chrome plated or black coated



PRODUCT CODE

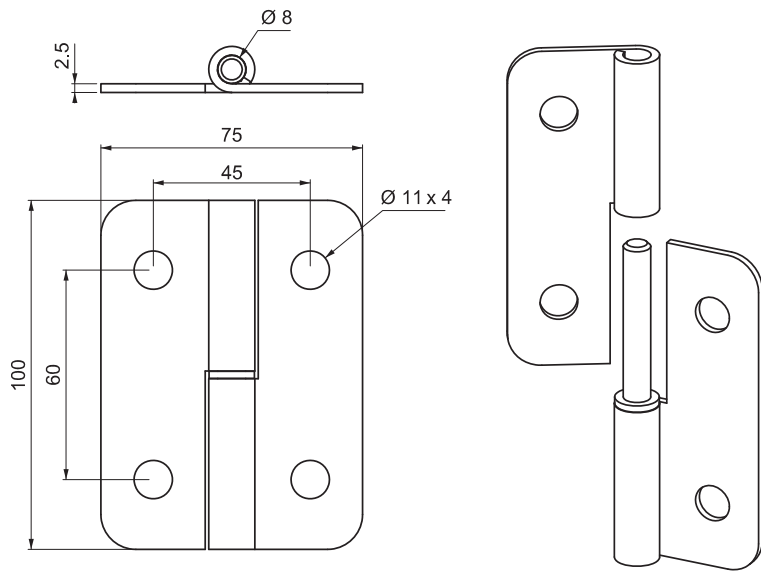


MATERIAL		M	FINISH		F
Zinc Alloy		1	Chrome		1
			Black coated		2



899

LEAF HINGE



- RoHS
-
-
-
-
-



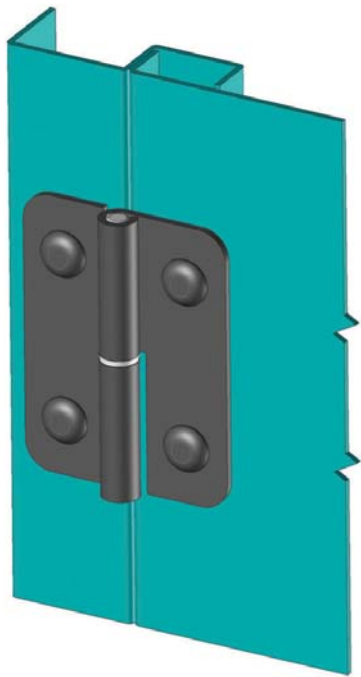
- Stainless steel version: page 512
- Heavy-duty lift off hinge
- Suitable for left- and right-hand applications
- Opening angle 180°

MATERIAL

BODY: Steel
PIN: Steel

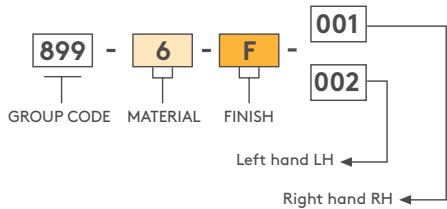
FINISH

Zinc plated or black coated



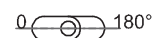
Note: Bolts are not supplied

PRODUCT CODE



MATERIAL		M	FINISH		F
Steel		6	Zinc plated		3
			Black coated		2

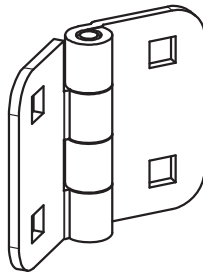
Hinge Rotation Angle



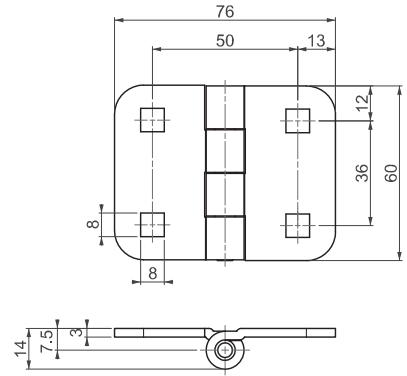
FLAT HINGES

LEAF HINGE

499



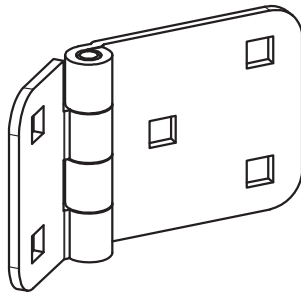
V : 1



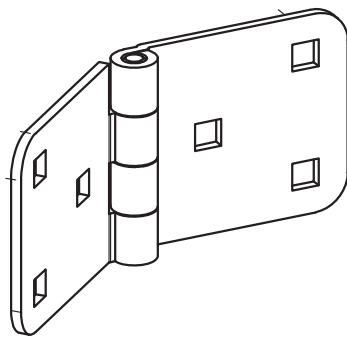
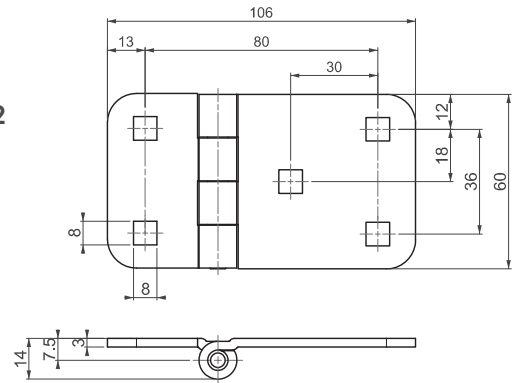
- Generally used for plain/flush-mounted, isolated, heavy doors
- Steel construction provides very high resistance
- M8 x 12 mm coach bolts supplied.

MATERIAL

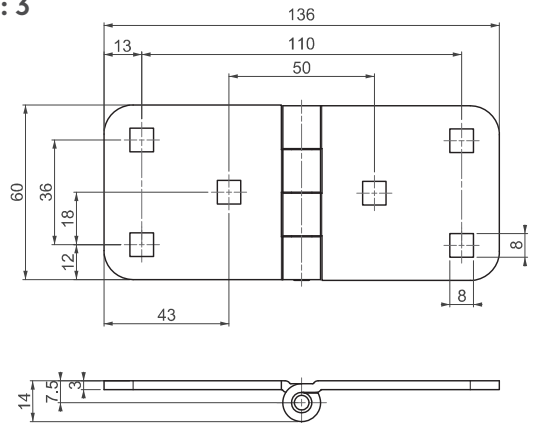
BODY: Steel
PIN: Stainless Steel



V : 2



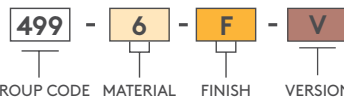
V : 3



Hinge Rotation Angle



PRODUCT CODE

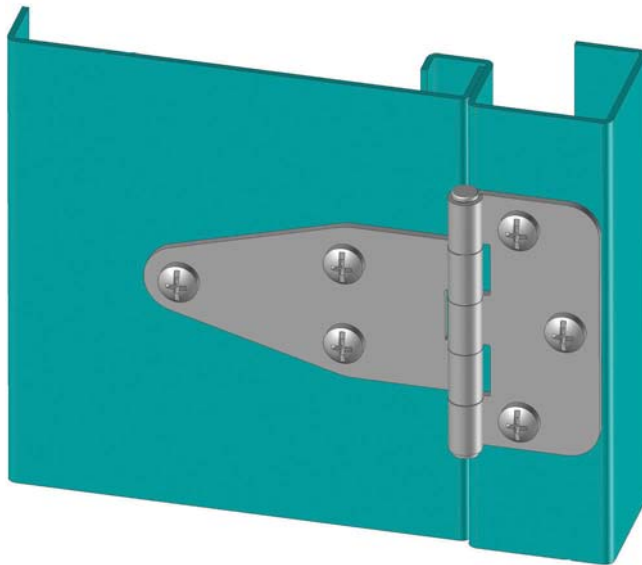
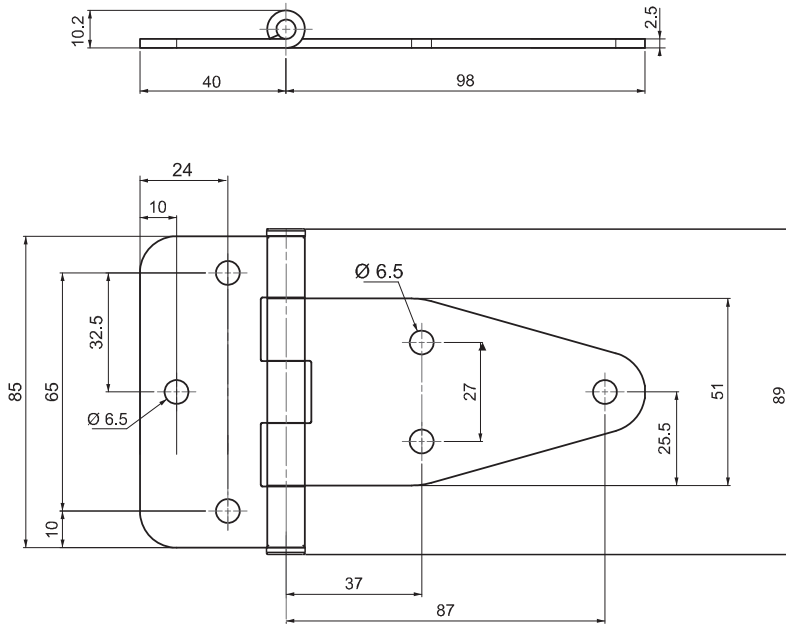


MATERIAL	M	FINISH	F
Steel	6	Zinc plated	3
		Black coated	2



599

LEAF HINGE

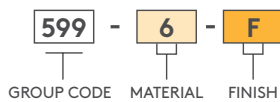


- Stainless steel version: page 508
- Generally used for plain/flush-mounted, isolated heavy doors
- Both parts attached by screws or nuts and bolts
- Hinge-rotation angle 180°

MATERIAL

BODY: Steel
PIN: Stainless Steel

PRODUCT CODE



MATERIAL		M	FINISH		F
Steel		6	Zinc plated		3
			Black coated		2

Hinge Rotation Angle



Note: Bolts are not supplied

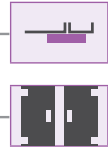
FLAT HINGES

LEAF HINGE

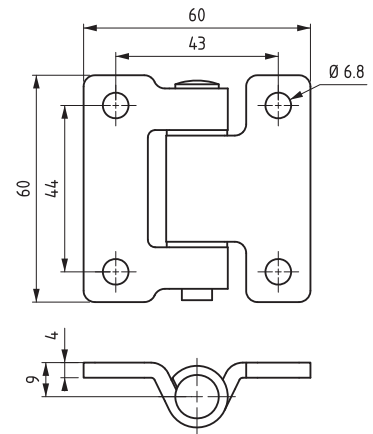
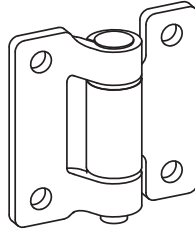
1599



RoHS



V :1



- Stainless steel version: page 510
- Generally, used for plain/flush mounted, isolated, heavy doors.
- Both parts are attached by screws or nuts and bolts
- Hinge Rotation angle is 180°

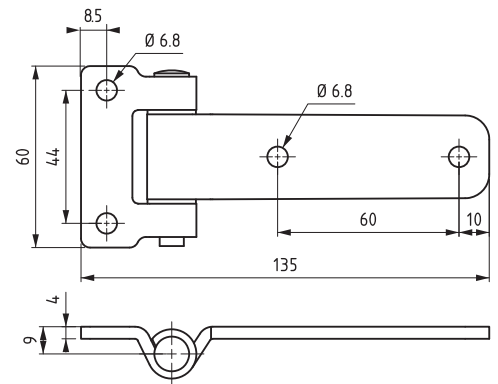
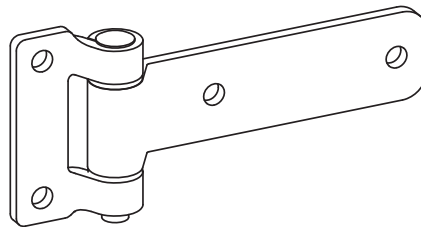
MATERIAL

BODY: Steel
PIN: Stainless steel

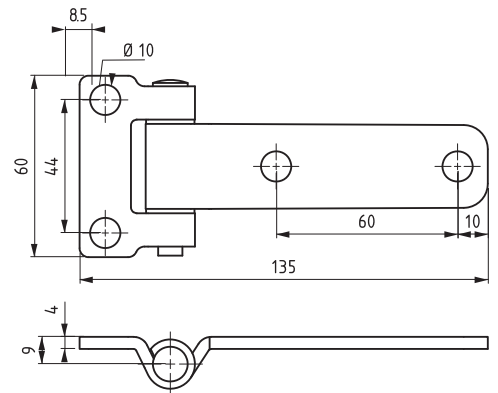
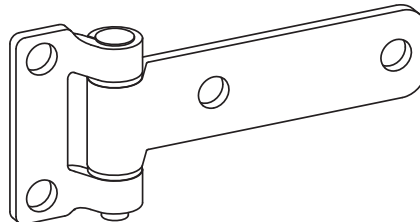
FINISH

Zinc plated or black coated

V :2



V :3



Hinge Rotation Angle



Note: Bolts are not supplied

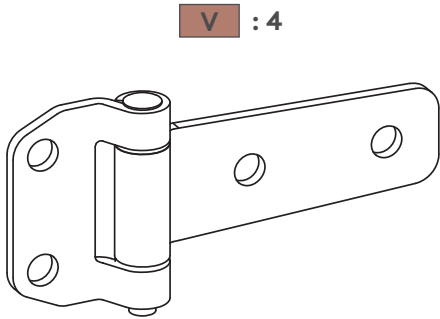
PRODUCT CODE

1599 - 6 - F - V
GROUP CODE MATERIAL FINISH VERSION

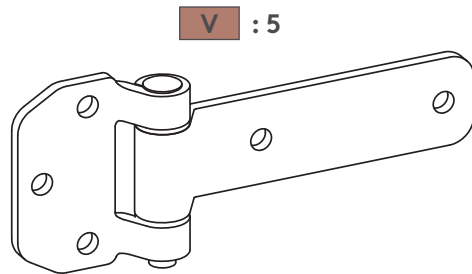
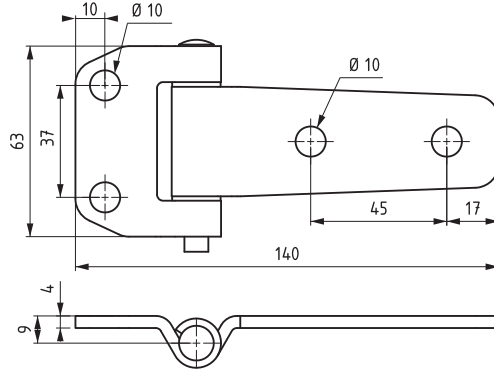
MATERIAL	M	FINISH	F
Steel	6	Zinc plated	3
		Black coated	2

1599

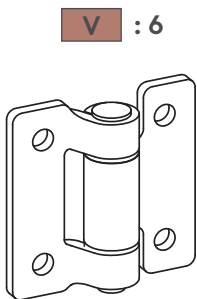
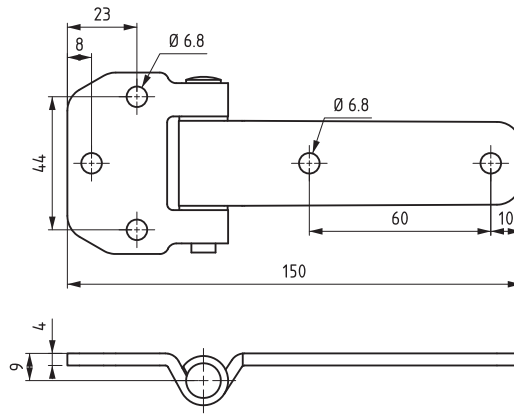
LEAF HINGE



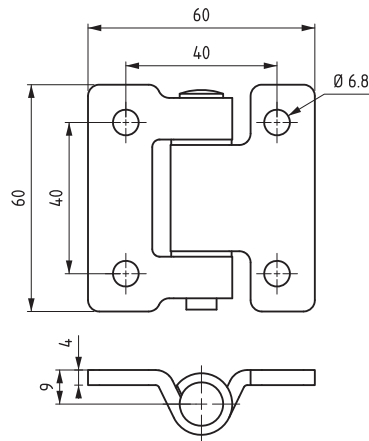
V : 4



V : 5



V : 6



- Stainless steel version: page 511
- Generally, used for plain/flush mounted, isolated, heavy doors.
- Both parts are attached by screws or nuts and bolts
- Hinge Rotation angle is 180°

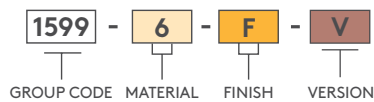
MATERIAL

BODY: Steel
PIN: Stainless steel

FINISH

Zinc plated or black coated

PRODUCT CODE



MATERIAL	M	FINISH	F
Steel	6	Zinc plated	3
		Black coated	2

Hinge Rotation Angle

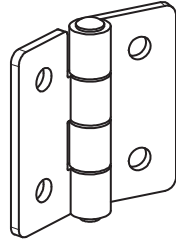
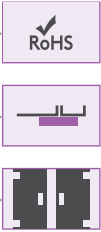


Note: Bolts are not supplied

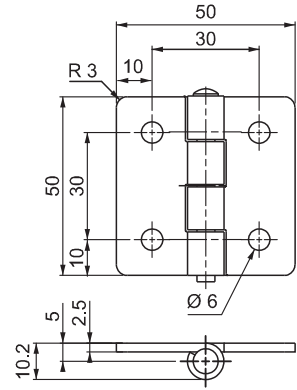
FLAT HINGES

LEAF HINGE

799



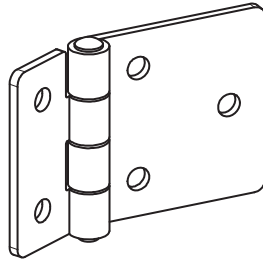
V : 1



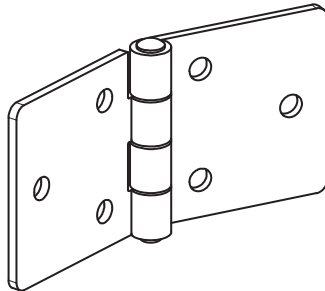
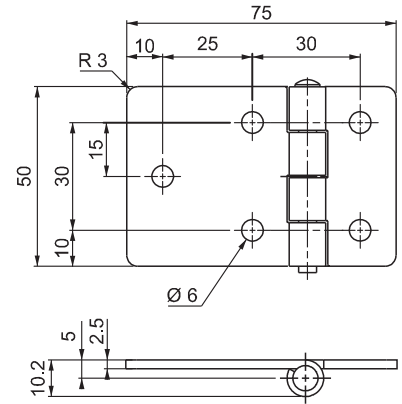
- Stainless steel version: page 509
- Generally used for plain/flush-mounted, isolated, heavy doors

MATERIAL

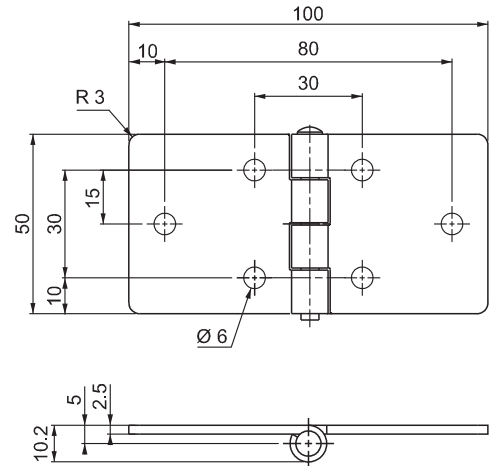
BODY: Steel
PIN: Stainless Steel



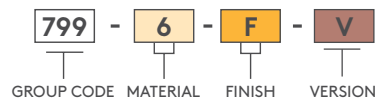
V : 2



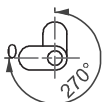
V : 3



PRODUCT CODE



Hinge Rotation Angle

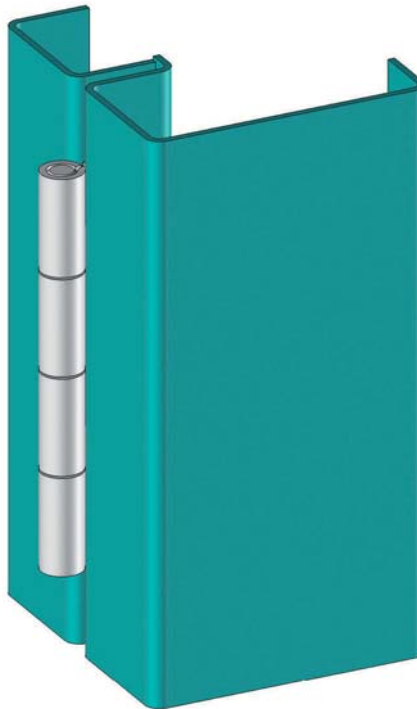
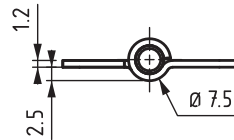
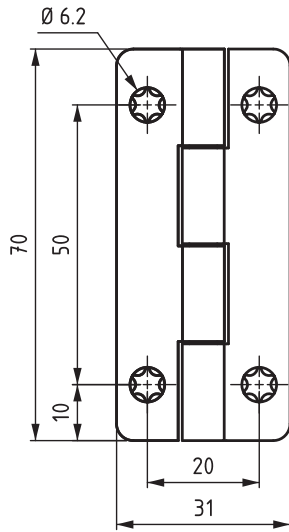
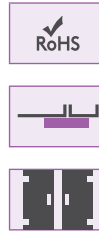


MATERIAL	M	FINISH	F
Steel	6	Zinc plated	3
		Black coated	2



2899

LEAF HINGE



MATERIAL

BODY: Steel

PIN: Stainless Steel

PRODUCT CODE

2899 - 6 - 3

GROUP CODE MATERIAL FINISH

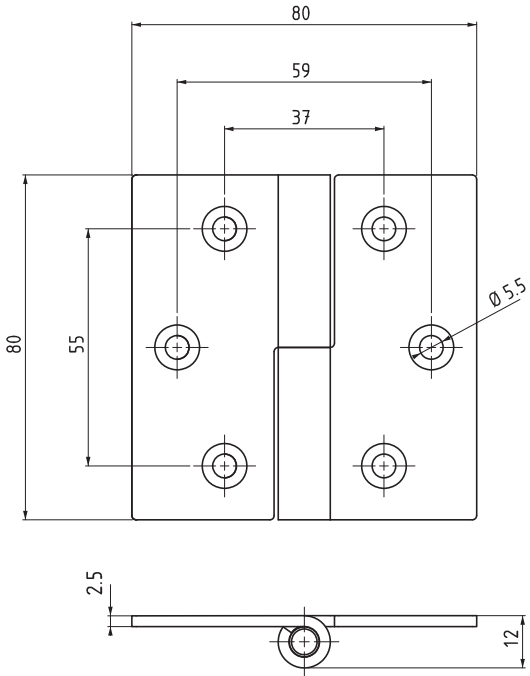
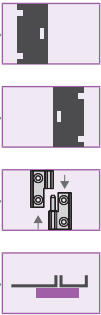
Hinge Rotation Angle



FLAT HINGES

LIFT-OFF HINGE

4299



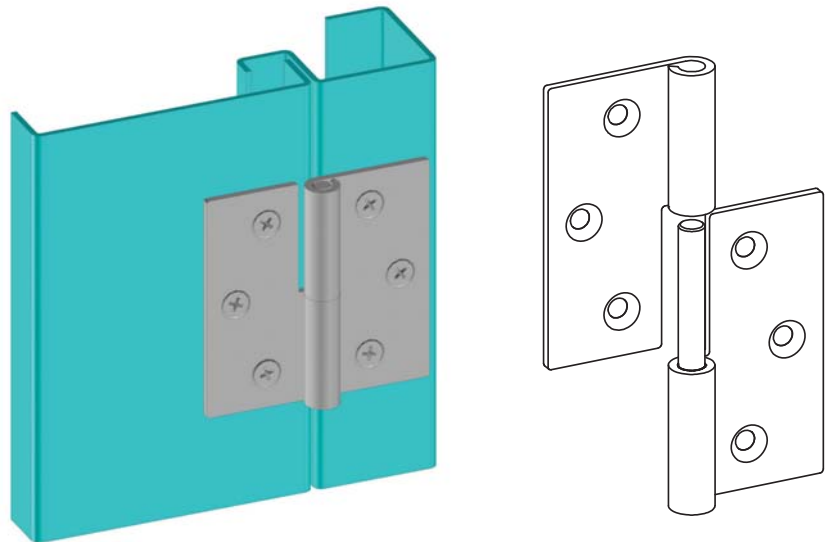
- Stainless steel version: page 501
- Designed for plain/flush-mounted doors
- Suitable for left- and right-hand applications

MATERIAL

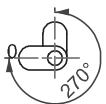
BODY: Steel
PIN: Stainless Steel

FINISH

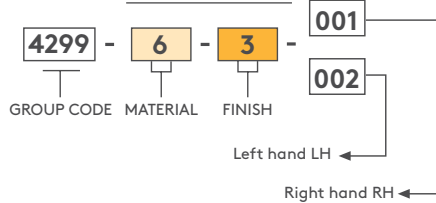
Zinc plated



Hinge Rotation Angle



PRODUCT CODE



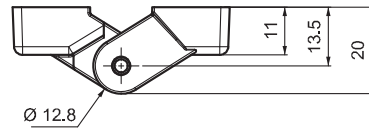
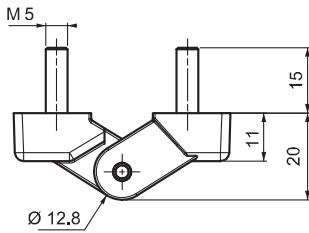
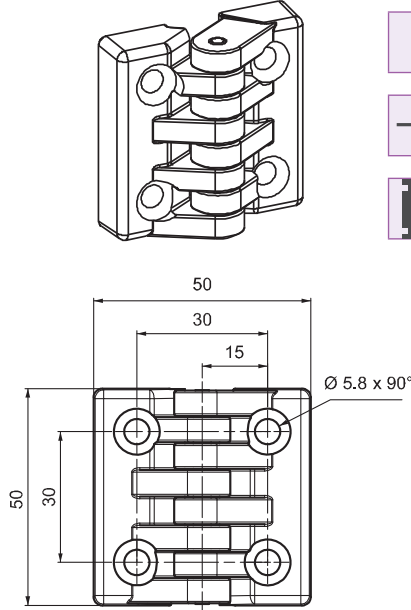
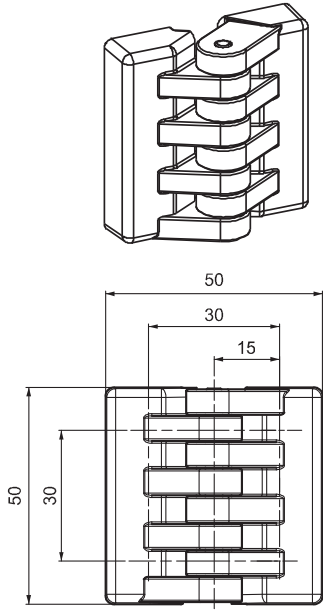


V :1

V :2

1199

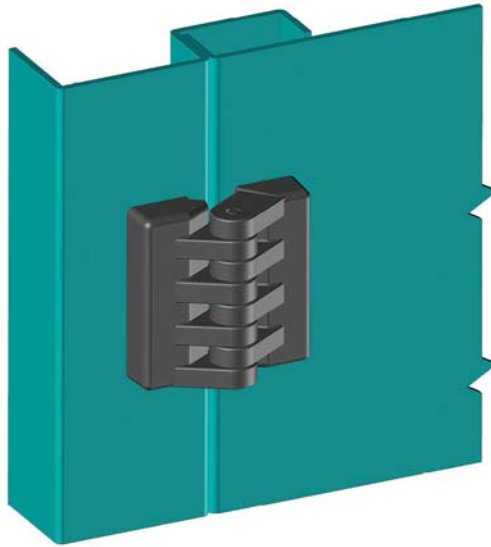
INDEX HINGE



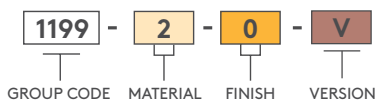
- Generally used for plain/flush-mounted doors
- With- or without-bolt options are available
- Stainless steel pin

MATERIAL

BODY: Polyamide DIN-EN ISO 1043-1 PA 6 GFR 30
 PIN: Stainless Steel
 V



PRODUCT CODE



MATERIAL	M	FINISH	F
Plastic	2	No finish	0

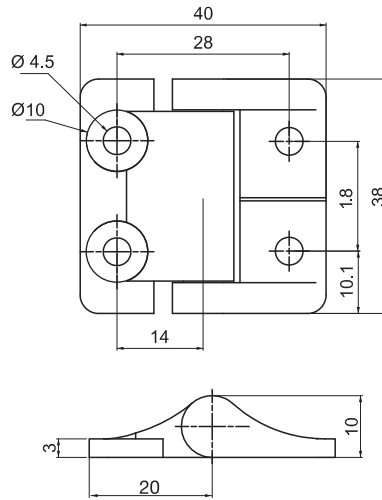
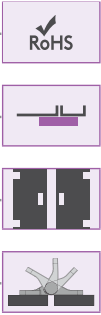
Hinge Rotation Angle



FLAT HINGES

TORQUE HINGE

2099



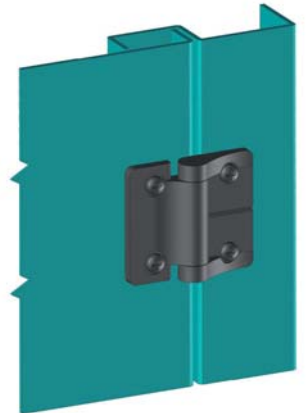
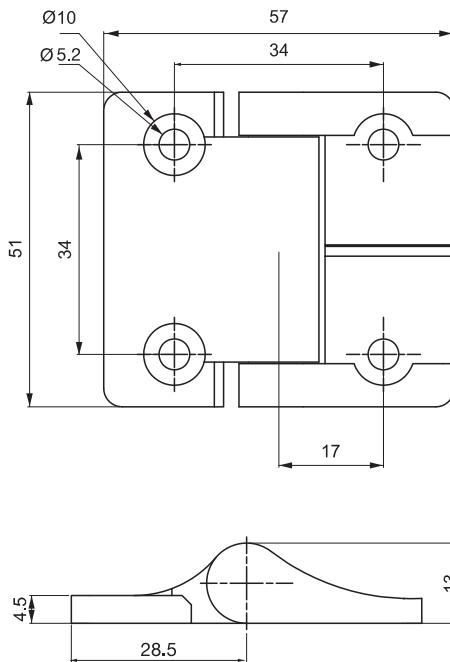
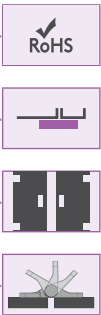
- 2.3 Nm symmetric torque
- Over 25,000 cycle life within $\pm 20\%$ of static torque specification
- Suitable for left- and right-hand application
- M5 screw mounting

MATERIAL

BODY: Zinc Alloy DIN-EN 1774-ZnAl4Cu1
PIN: Steel

TORQUE HINGE

2199

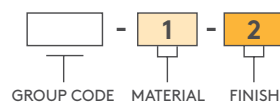


- 3.4 Nm symmetric torque
- Over 25,000 cycle life within $\pm 20\%$ of static torque specification
- Suitable left- and right-hand applications
- M5 screw mounting

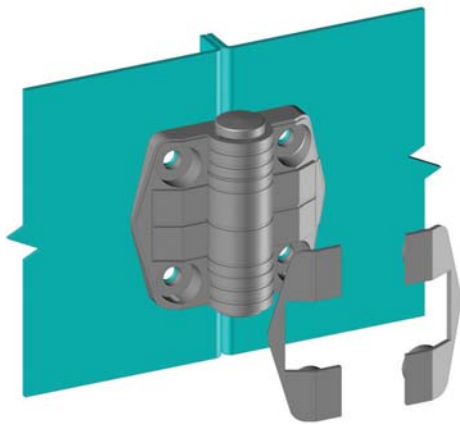
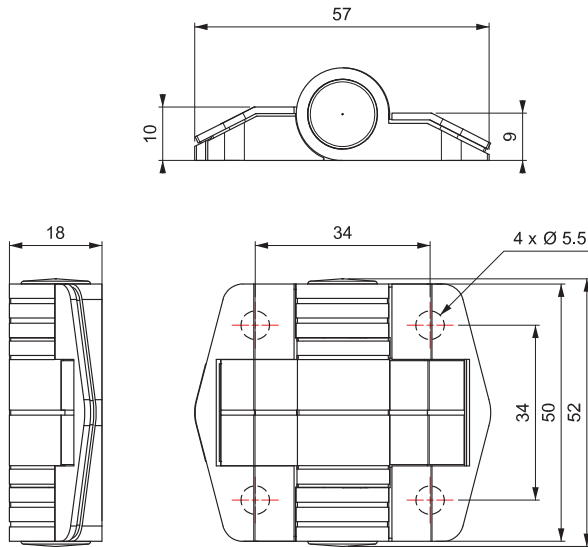
Hinge Rotation Angle



PRODUCT CODE



MATERIAL	M	FINISH	F
Zinc Alloy	1	Black coated	2



2599

INDEX HINGE



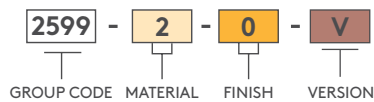
- Different angle and torque is available
- Holds door open at specific degrees. 80°, 115°, 150°

MATERIAL

BODY: Polyamide DIN-EN ISO 1043-1 PA6 GFR 30
 PIN: Plastic

Position	Force (N-m)	Version
	No Detens	10
80°	0.7	21
	1.1	22
	1.7	23
115°	0.7	31
	1.1	32
	1.7	33
150°	0.7	41
	1.1	42
	1.7	43

PRODUCT CODE

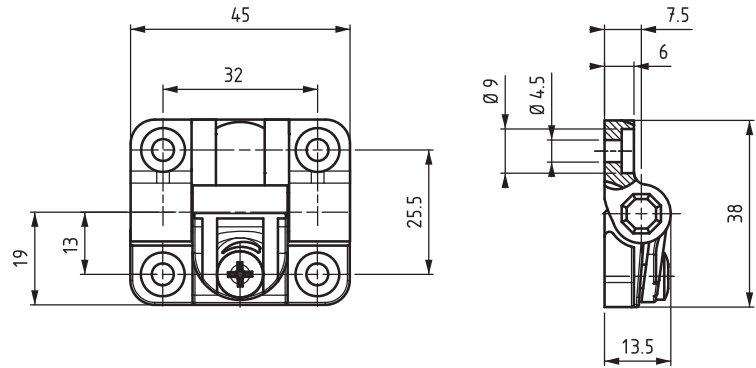
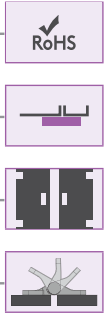


MATERIAL	M	FINISH	F
Plastic	2	No finish	0

FLAT HINGES

ADJUSTABLE TORQUE HINGE

2399



- Hinge torque can be adjusted with screw
- Provide position control
- Suitable for left- and right-hand applications
- Fixed with M4 screw

MATERIAL

BODY: Polyamide DIN-EN ISO 1043-1 PA6 GFR 30

SCREWS AND NUTS: Stainless Steel (AISI 304)

PERFORMANCE DETAILS

Axial load: (N)

Working load: 700

Breaking load weight: 1100

Radial load: (N)

Working load: 1400

Breaking load weight: 1800

Torque value: 0.8 N.m.

Working temperature:

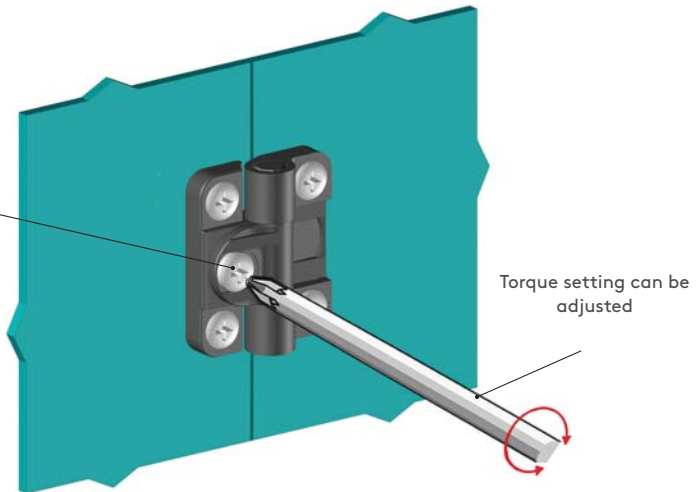
- 5°C + 65°C

Fasteners:

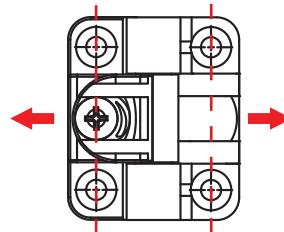
(Bolts and nuts are not supplied)

Screw and nut: M4

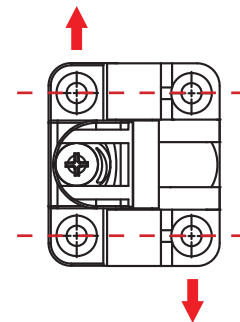
Torque adjustment bolt



Axial load (N)



Radial load (N)



Hinge Rotation Angle



⚠ Note: Bolts and nuts are not supplied

PRODUCT CODE

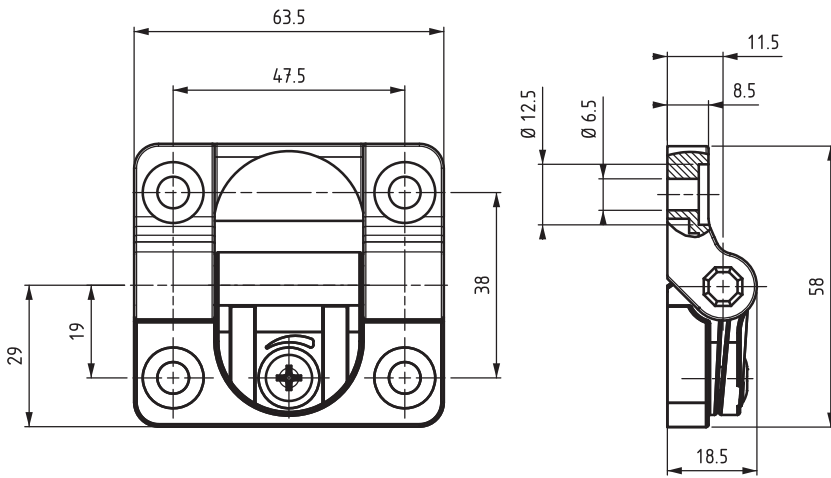
2399 - 2 - 0

GROUP CODE MATERIAL FINISH



2499

ADJUSTABLE TORQUE HINGE



- Hinge torque can be adjusted by screw
- Provides position control
- Suitable for left- and right-hand applications
- Fixed by M6 screw

MATERIAL

BODY: Polyamide DIN-EN ISO 1043-1 PA6 GFR 30

SCREWS AND NUTS: Stainless Steel (AISI 304)

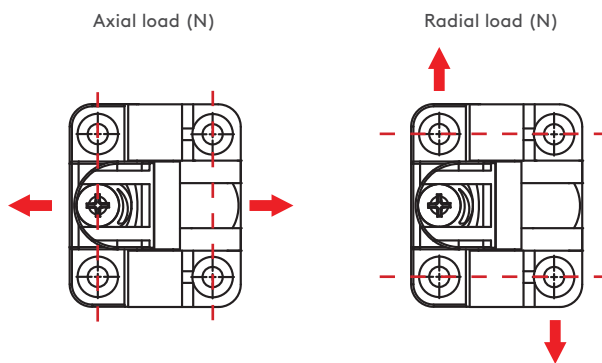
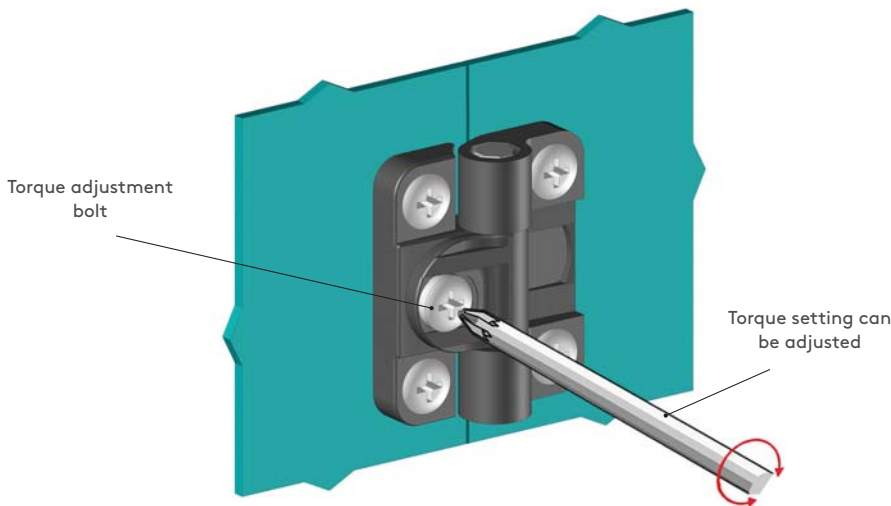
PERFORMANCE DETAILS

Axial load: (N)
Working load: 1500
Breaking load weight: 2350

Radial load: (N)
Working load: 2250
Breaking load weight: 3200

Torque value: 4 Nm
Working temperature: - 5°C + 65°C

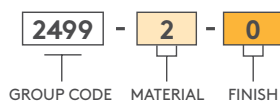
Fasteners:
(Bolts and nut are not supplied)
Screw and nut: M6



Hinge Rotation Angle



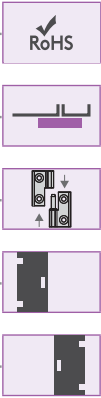
PRODUCT CODE



FLAT HINGES

LIFT-OFF HINGE

699

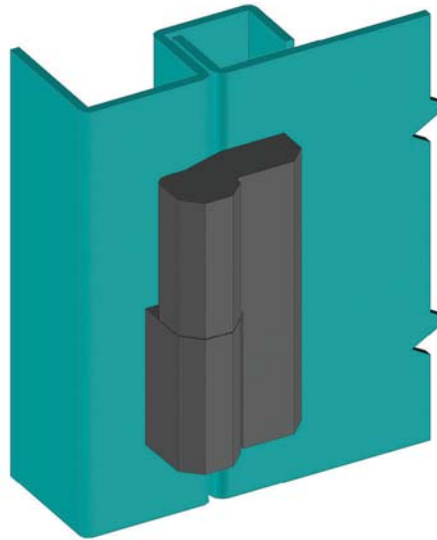
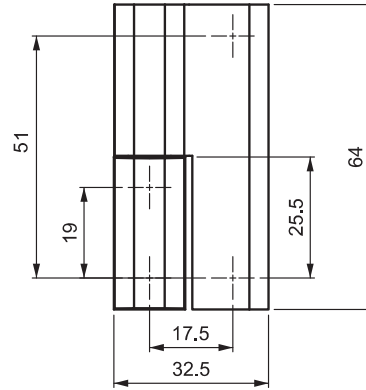
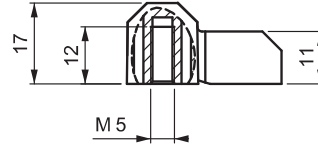


- Concealed mounting screws prevent external access to hinge
- Designed for plain/flush-mounted doors
- Suitable for left- and right-hand applications

MATERIAL

BODY: Zamak DIN-EN 1774-ZnAl4Cu1
 PIN: Stainless Steel

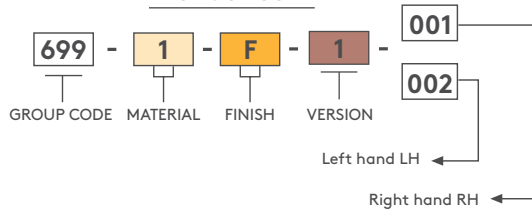
V : 1



Hinge Rotation Angle



PRODUCT CODE

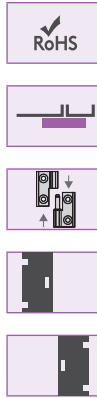


MATERIAL		M	FINISH		F
Zinc Alloy		1	Chrome plated		1
			Black coated		2



699

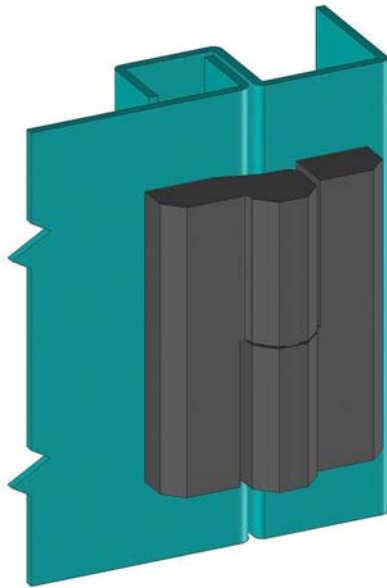
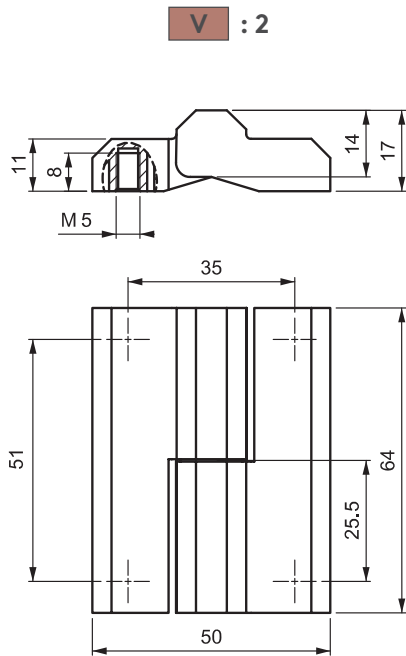
LIFT-OFF HINGE



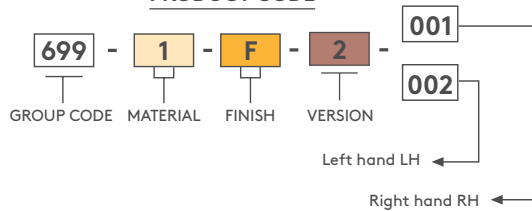
- Concealed mounting screws prevent external access to hinge
- Designed for plain/flush-mounted doors
- Suitable for left- and right-hand applications

MATERIAL

BODY: Zinc Alloy DIN-EN 1774-ZnAl4Cu1
 PIN: Stainless Steel



PRODUCT CODE



Hinge Rotation Angle

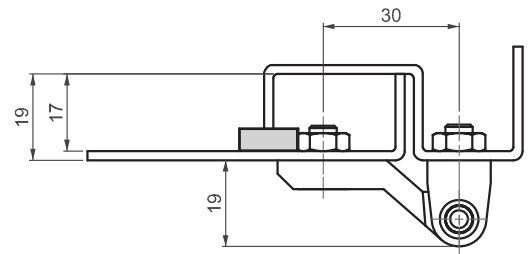
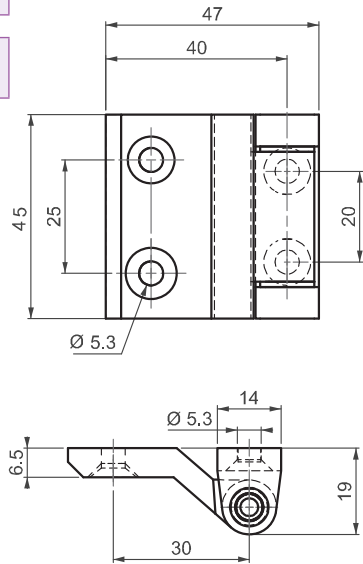


MATERIAL	M	FINISH	F
Zinc Alloy	1	Chrome plated	1
		Black coated	2

FLAT HINGES

HINGE WITH BEARING

100



MATERIAL
 BODY: Zinc Alloy DIN-EN 1774-ZnAl4Cu1
 PIN: Steel
 BEARING: Delrin

FINISH
 Chrome
 Black coated

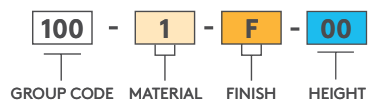


Hinge Rotation Angle



Note: Bolts are not supplied

PRODUCT CODE

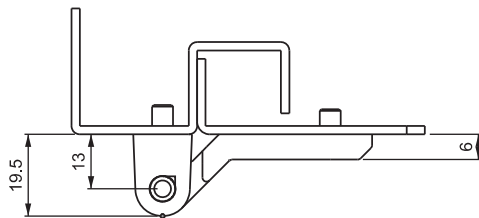
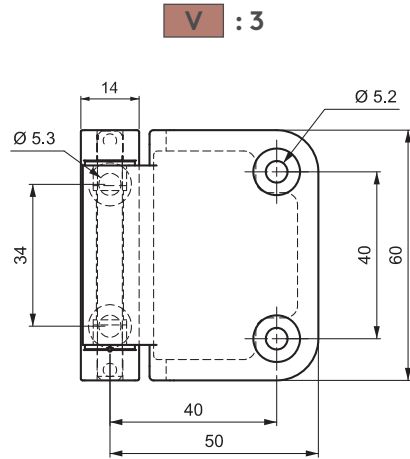
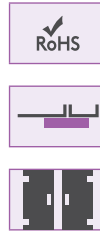


MATERIAL	M	FINISH	F
Zinc Alloy	1	Chrome	1
		Black coated	2



600

HVAC HINGE



- Stainless steel version: page 462
- Designed for plain/flush-mounted doors
- Pin and plastic guides supplied separately
- Can be used for offset doors
Please see Corner Hinges section

MATERIAL

BODY: Zamak DIN-EN 1774-ZnAl4Cu1
PIN: Steel
BEARING: Delrin

FINISH

Black coated

PRODUCT CODE

600 - 1 - 2 - 00 - 3

GROUP CODE MATERIAL FINISH HEIGHT VERSION

MATERIAL	M	FINISH	F
Zinc Alloy	1	Black coated	2

Hinge Rotation Angle



Note: Bolts are not supplied

FLAT HINGES

HVAC HINGE (2D)

600



2D

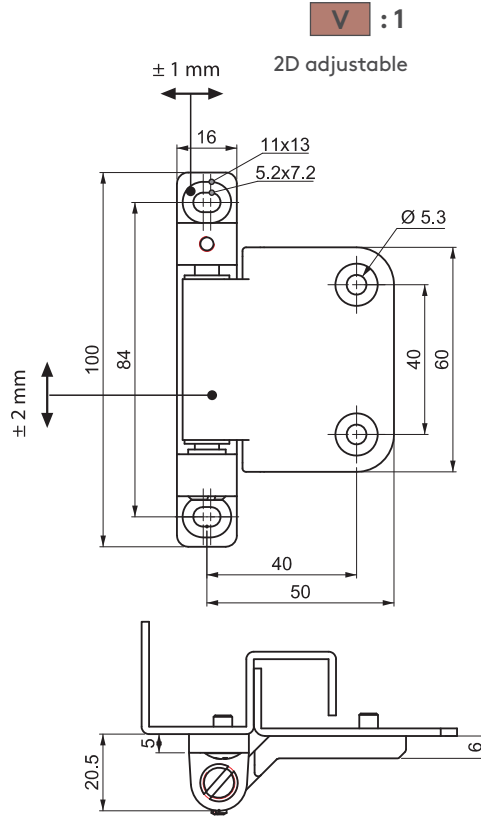
- Designed for plain/flush-mounted doors
- Hinge supplied pre-assembled to decrease labour costs
- Two-dimensional door adjustment possible
- Axial adjustment is +/- 2 mm. Radial adjustment is +/- 1 mm.
- Also can be used for offset doors
Please see Corner Hinges section

MATERIAL

BODY: Zamak DIN-EN 1774-ZnAl4Cu1
PIN: Steel
BEARING: Delrin

FINISH

Black coated

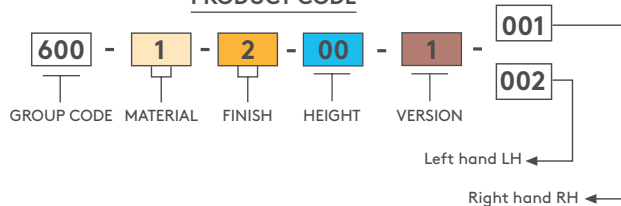


Hinge Rotation Angle



Note: Bolts are not supplied

PRODUCT CODE

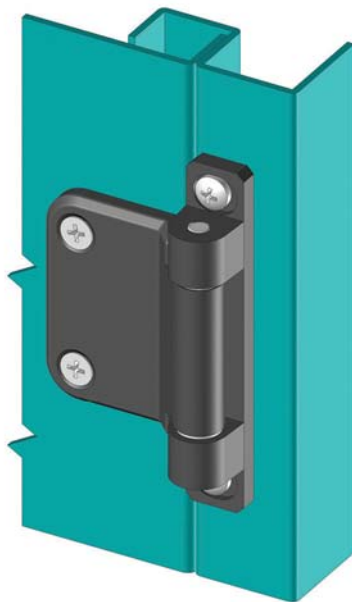
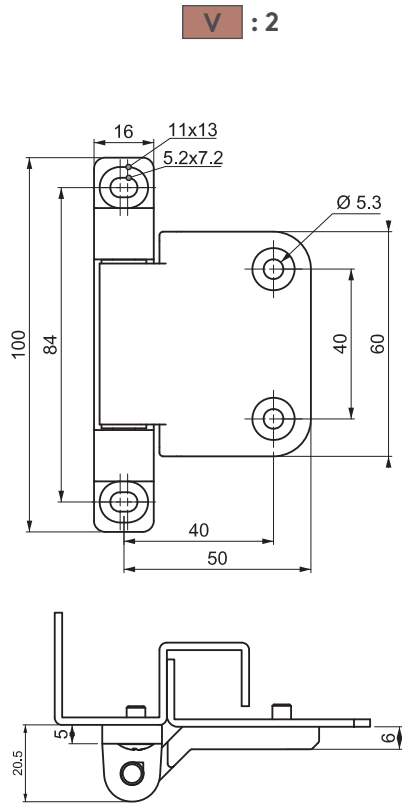
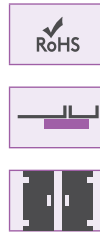


MATERIAL	M	FINISH	F
Zinc Alloy	1	Black coated	2



600

LEAF HINGE



- Designed for plain/flush-mounted doors
- Hinge supplied pre-assembled to decrease labour costs
- Can be used for offset doors
Please see Corner Hinges section

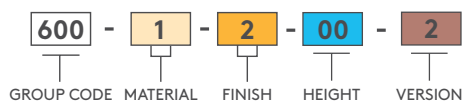
MATERIAL

BODY: Zamak DIN-EN 1774-ZnAl4Cu1
 PIN: Steel
 BEARING: Delrin

FINISH

Black coated

PRODUCT CODE



MATERIAL	M	FINISH	F
Zinc Alloy	1	Black coated	2

Hinge Rotation Angle



Note: Bolts are not supplied

FLAT HINGES

HVAC HINGE (2D)

700



RoHS



2D

- Designed for plain/flush-mounted doors
- Hinge supplied pre-assembled to decrease labour costs
- Two-dimensional door adjustment possible
- Axial adjustment is ± 2 mm. Radial adjustment is ± 1 mm.
- Can be used for offset doors
Please see Corner Hinges section

MATERIAL

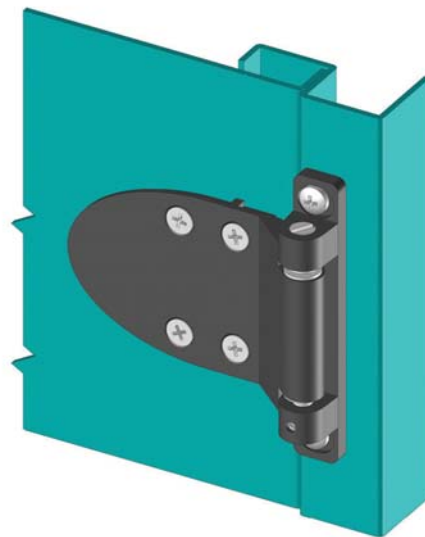
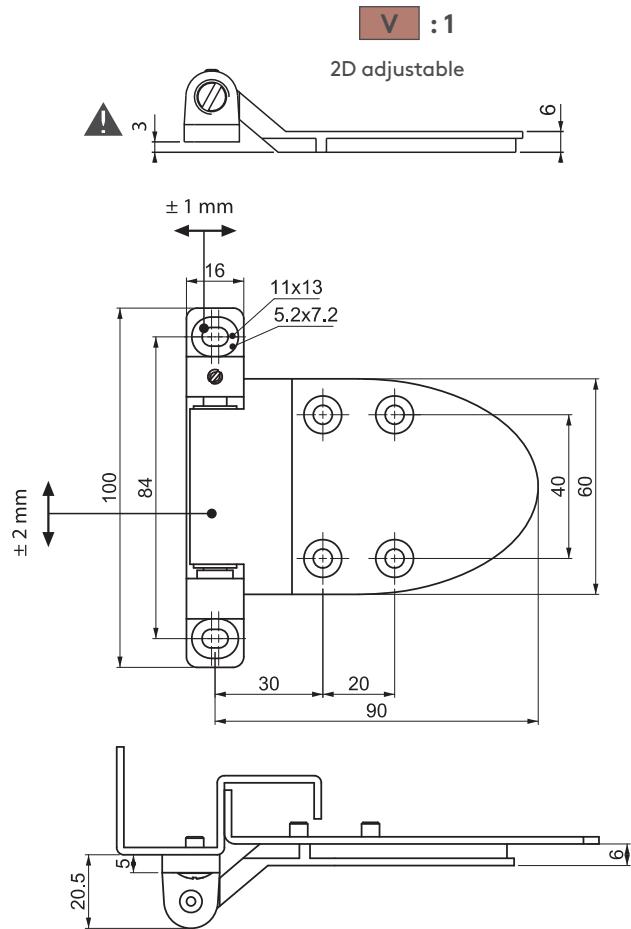
BODY: Zamak DIN-EN 1774-ZnAl4Cu1

PIN: Steel

BEARING: Delrin

FINISH

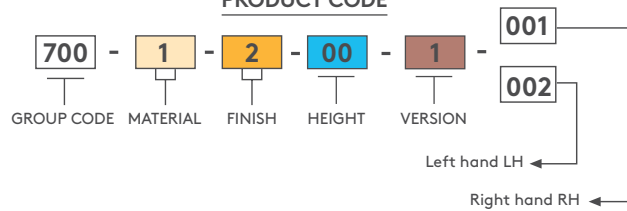
Black coated



Hinge Rotation Angle



PRODUCT CODE

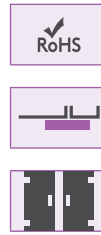


MATERIAL	M	FINISH	F
Zinc Alloy	1	Black coated	2



700

HVAC HINGE



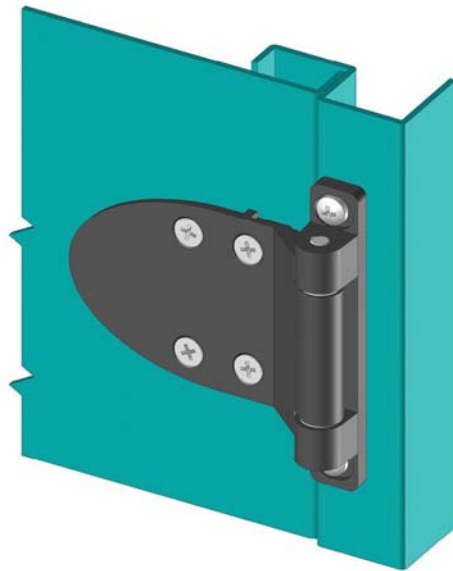
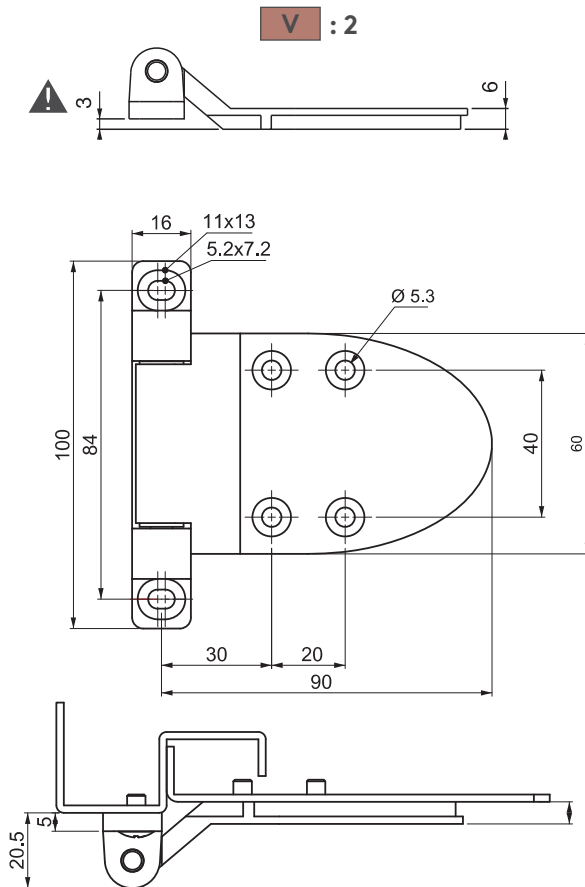
- Design for plain/flush-mounted doors
- For side-mounted doors with a bend of 2-12 mm
- Hinge supplied pre-assembled to decrease labour costs
- Can be used for offset doors
Please see Corner Hinges section

MATERIAL

BODY: Zamak DIN-EN 1774-ZnAl4Cu1
PIN: Steel
BEARING: Delrin

FINISH

Black coated



PRODUCT CODE



MATERIAL	M	FINISH	F
Zinc Alloy	1	Black coated	2

Hinge Rotation Angle



FLAT HINGES

HVAC HINGE (3D)

800

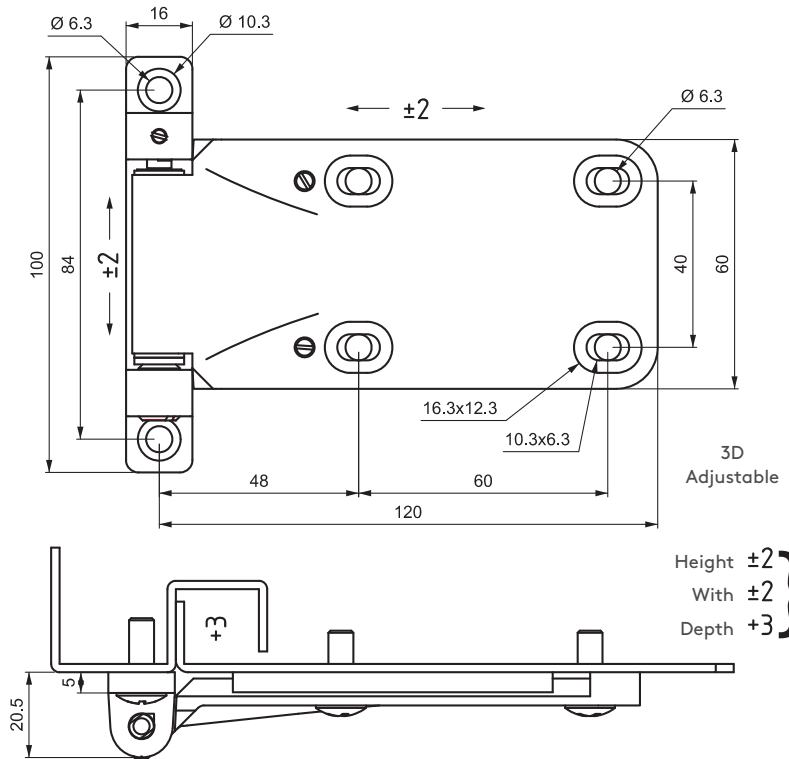


- RoHS
-
-
-
- 3D**

- Suitable for three-dimensional door adjustment
- Can be used for flush doors

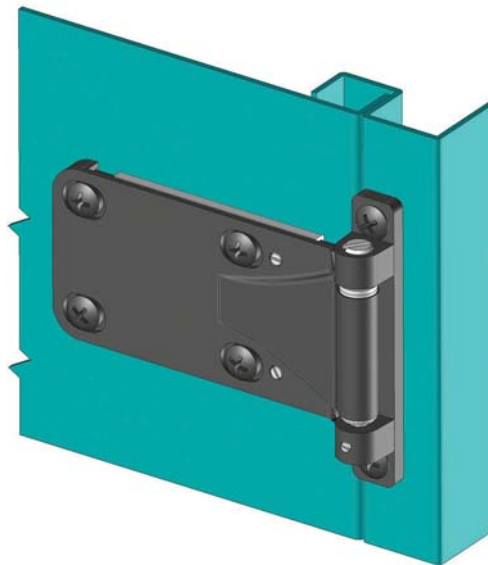
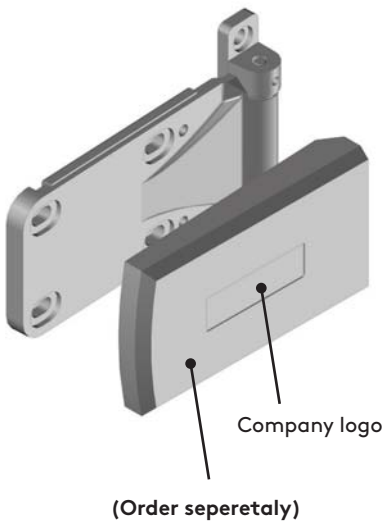
MATERIAL
 BODY: Zinc Alloy DIN-EN 1774-ZnAl4Cu1
 PIN: Steel
 BEARING: Delrin

FINISH
 Black coated

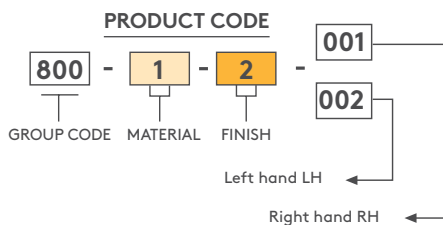


HINGE COVER

320.02.017



MATERIAL
 Polyamide
 DIN-EN ISO1043-1 PA6 GFR 30

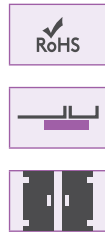


MATERIAL	M	FINISH	F
Zinc Alloy	1	Black coated	2



500

HVAC HINGE



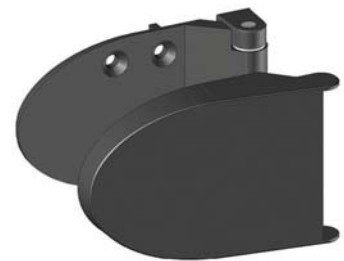
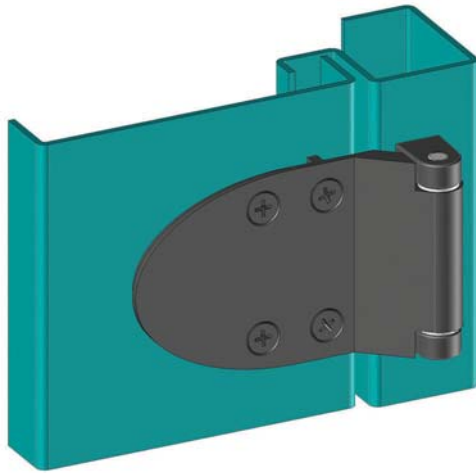
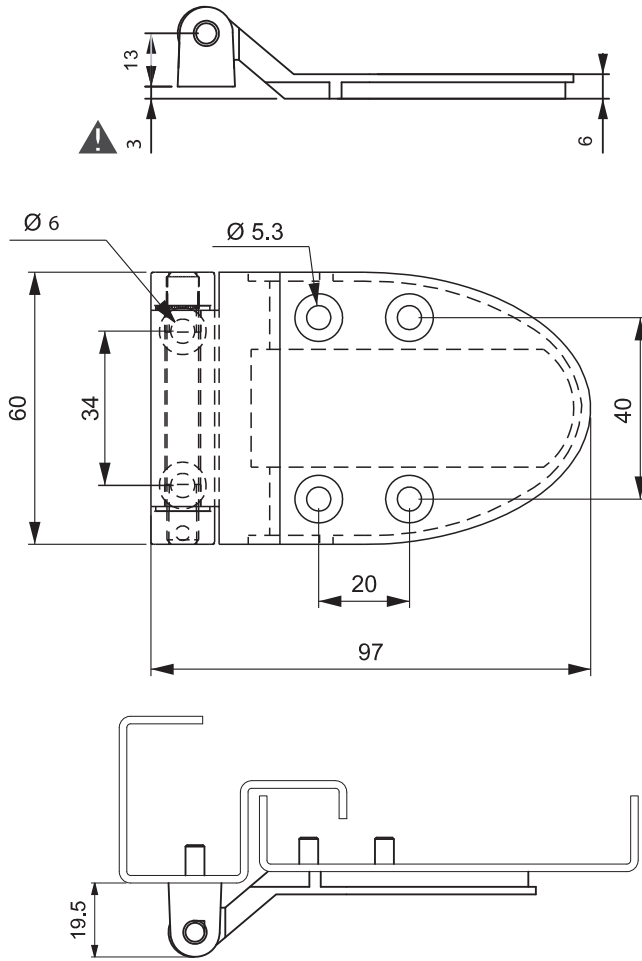
- Generally used for plain/flush-mounted, isolated, heavy doors
- Specially designed for central air conditioning units
- Stylish design
- Supplied with polyamide hinge cover and Stainless steel (AISI 304) hinge pin

MATERIAL

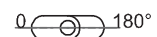
BODY: Zinc Alloy DIN-EN 1774-ZnAl4Cu1
 PIN: Stainless Steel
 BEARING: Delrin
 COVER: PA 6 GFR 30

FINISH

Black coated



Hinge Rotation Angle



! Note: Bolts are not supplied

PRODUCT CODE

500 - 1 - 2

GROUP CODE MATERIAL FINISH

MATERIAL	M	FINISH	F
Zinc Alloy	1	Black coated	2

FLAT HINGES

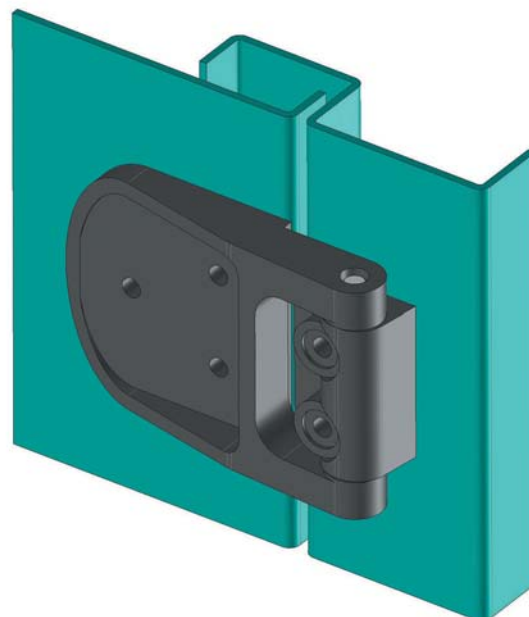
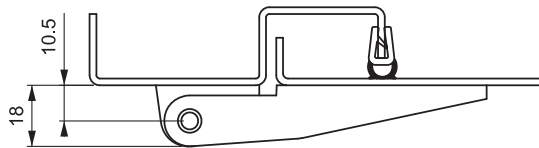
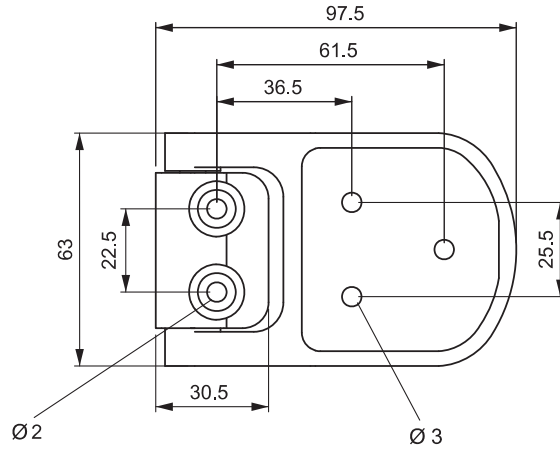
HVAC HINGE

300



MATERIAL

BODY: Polyamide DIN-EN ISO 1043-1
 PA 6 GFR 30
 PIN: Stainless Steel



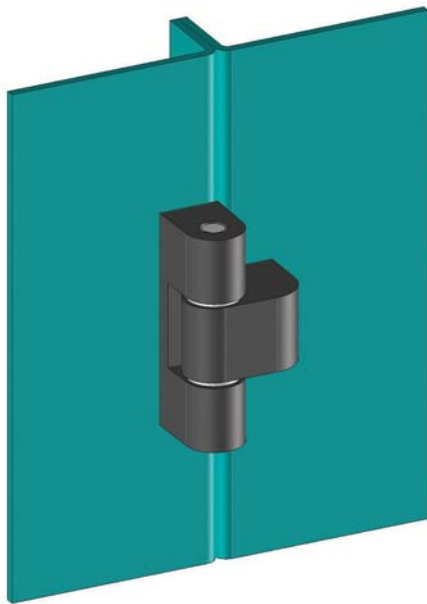
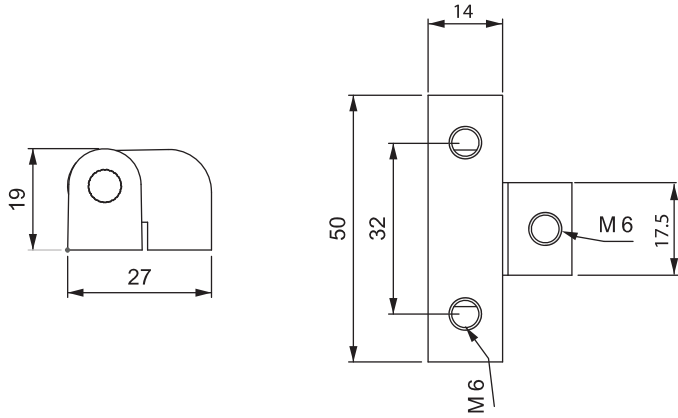
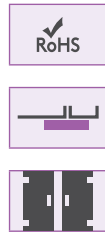
Hinge Rotation Angle





693

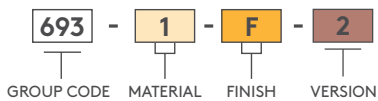
HINGE WITH BEARING



MATERIAL

BODY: Zamak DIN-EN 1774-ZnAl4Cu1
 PIN: Stainless Steel
 BEARING: Delrin

PRODUCT CODE



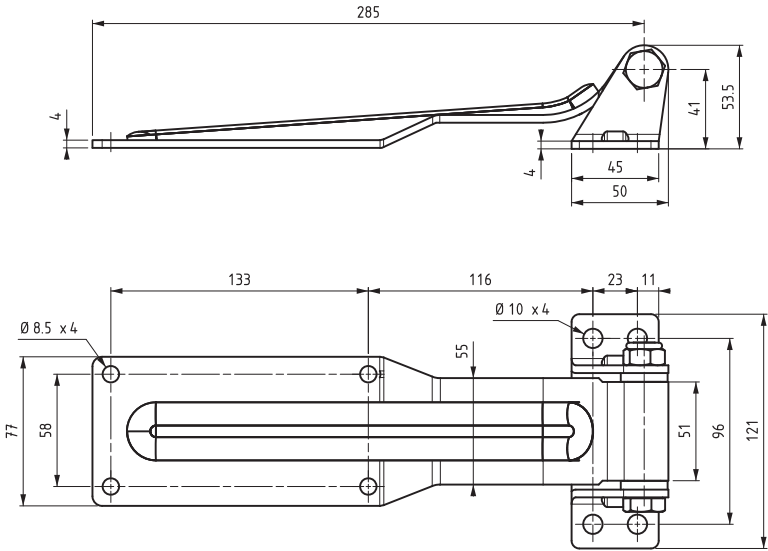
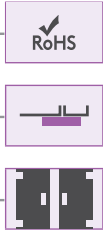
MATERIAL		FINISH	
	M		F
Zinc Alloy	1	Chrome	1
		Black coated	2

Hinge Rotation Angle



FLAT HINGES

TRUCK CARRIER HINGE

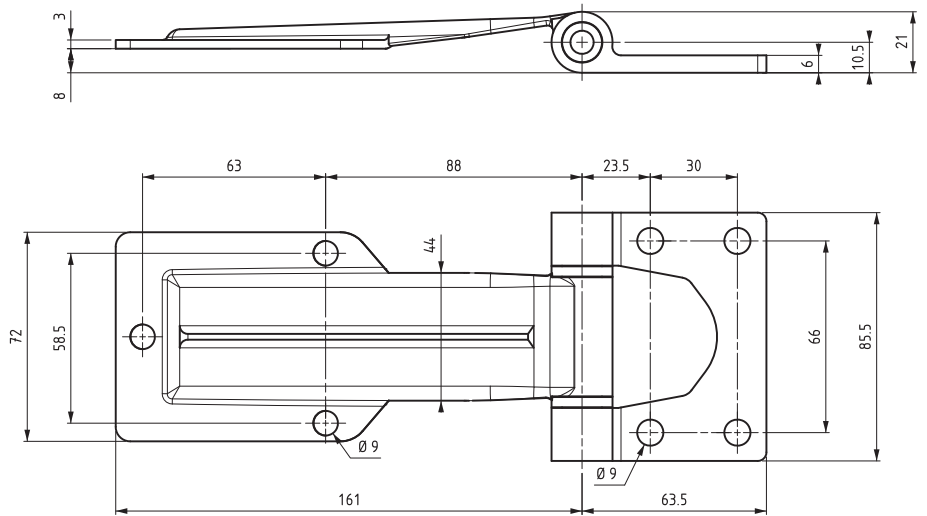


a)

MATERIAL AND FINISH	PRODUCT CODE
Steel – zinc plated	340.0.8024
Steel – black coated	340.0.8025

- Strong hinge used on doors of refrigerated truck carriers and trailers
- Opening angle 270°
- Provided as zinc plated or black-powder coated
- Suitable for left- and right-hand applications

MATERIAL
 Frame part: Steel
 Door part: Steel



b)

MATERIAL AND FINISH	PRODUCT CODE
Steel – zinc plated	340.0.8023
Steel – black coated	340.0.8029

