



HANDLES



HANDLES

GROUP CODE	PRODUCT NAME
184	DRAWER HANDLE
286	GRAB HANDLE
084	MILLENIUM HANDLE
085	DRAWER HANDLE
086	GRAB HANDLE
186	GRAB HANDLE
287	GRAB HANDLE
087	GRAB HANDLE
187	GRAB HANDLE
387	GRAB HANDLE
487	GRAB HANDLE
374	FLUSH PULL (SNAP-IN)
274	FLUSH PULL (SNAP-IN)
074	FLUSH PULL (SNAP-IN)
174	FLUSH PULL (SNAP-IN)



PAGE

420

387

421

421

422

422

423

423

424

425

426

427

428

429

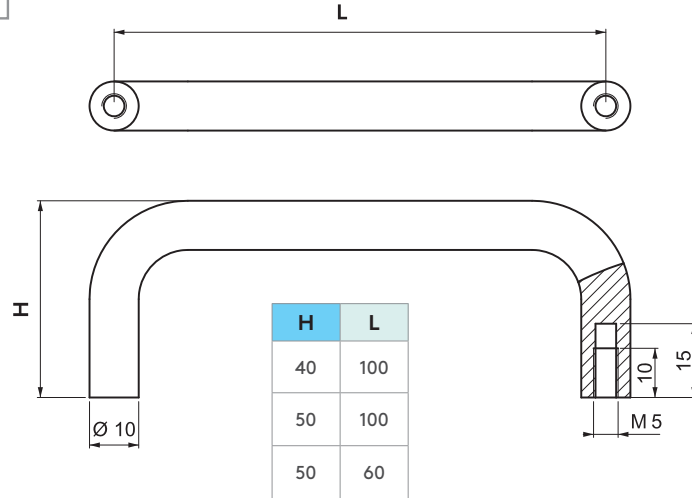
429



HANDLES

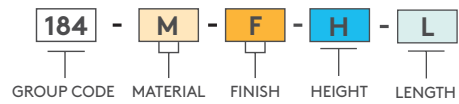
GRAB HANDLE

184



- Stylish handle for wooden furniture and keyboard shelf in rack cabinets

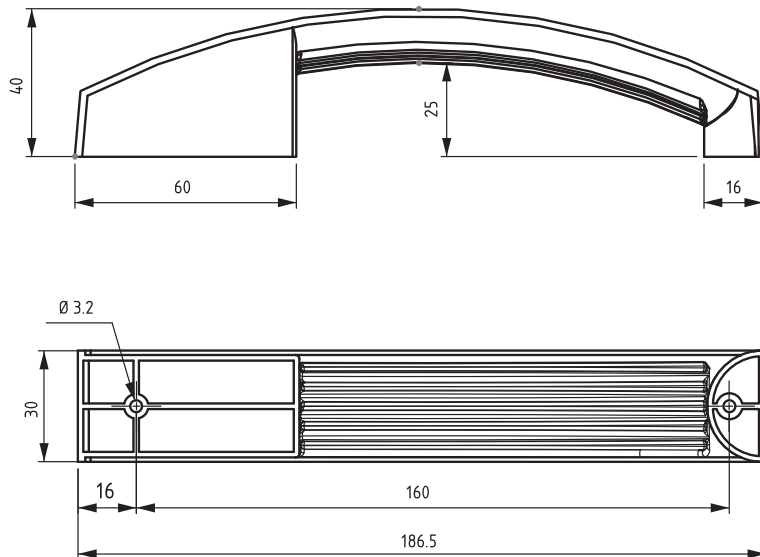
PRODUCT CODE



MATERIAL	M	FINISH	F
Steel	6	Chrome	1
Aluminium	5	Matt anodized	7
Stainless Steel	4	No finish	0

GRAB HANDLE

286



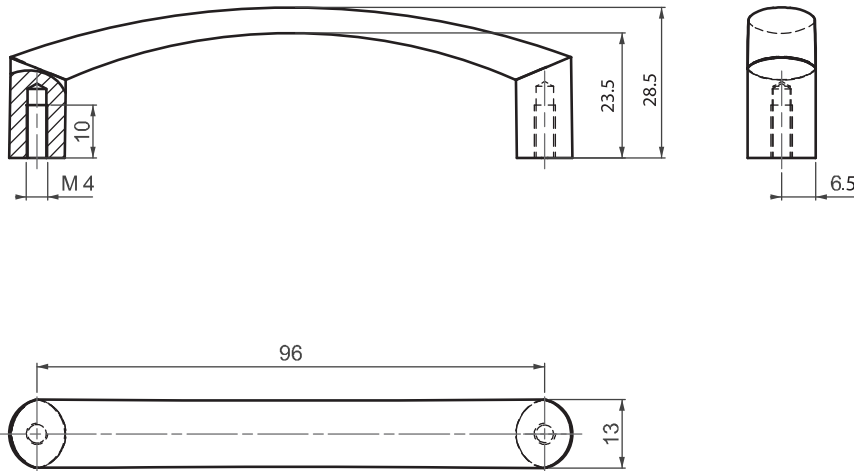
- Stylish
- Internal fixing with two screws

MATERIAL
Polyamide DIN-EN ISO 1043-1
PA 6 GFR 30



084

MILLENIUM HANDLE



- Stylish handle for wooden furniture

MATERIAL

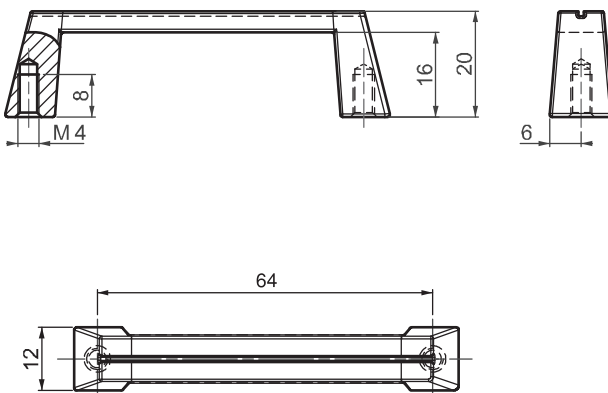
Zinc Alloy DIN-EN 1774-ZnAl4Cu1

FINISH

Chrome or black coated

085

DRAWER HANDLE



- Stylish handle for wooden furniture and keyboard shelf in rack cabinets

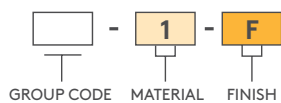
MATERIAL

Zinc Alloy DIN-EN 1774-ZnAl4Cu1

FINISH

Chrome or black coated

PRODUCT CODE

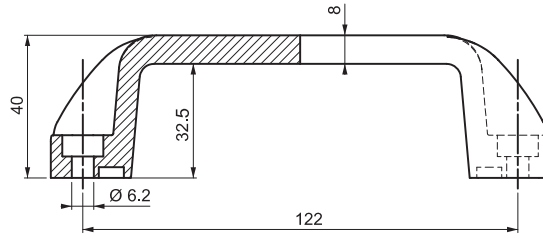


MATERIAL	M	FINISH	F
Zinc Alloy	1	Chrome	1
		Black coated	2

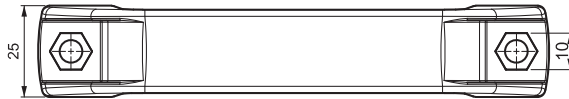
HANDLES

GRAB HANDLE

086



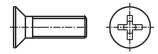
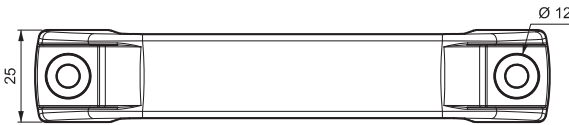
V :1



- Two different fixing types

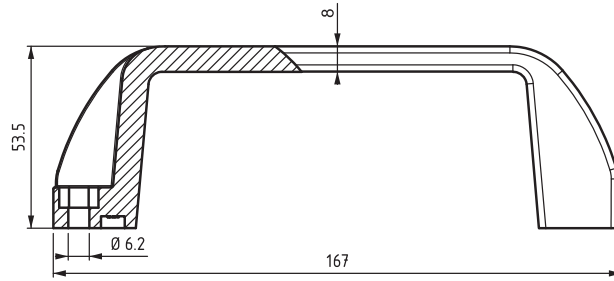
MATERIAL
Polyamide DIN-EN ISO 1043-1
PA 6 GFR 30

V :2

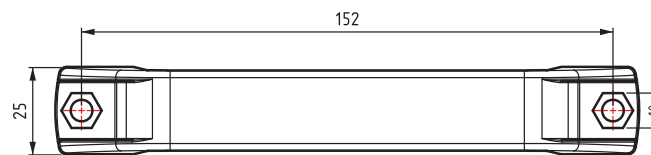


GRAB HANDLE

186



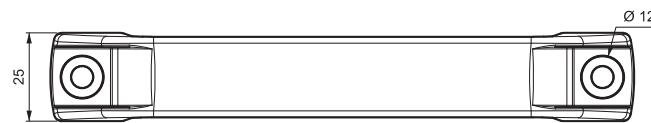
V :1



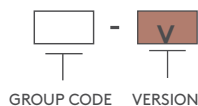
- Two different fixing types

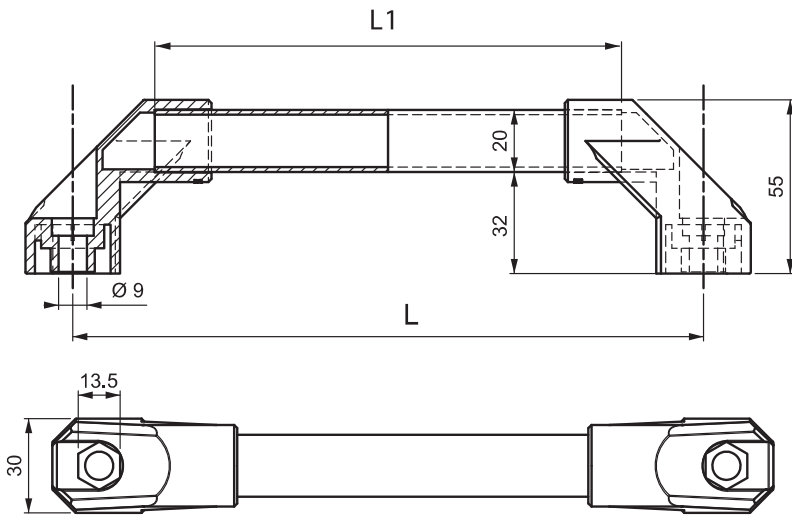
MATERIAL
Polyamide DIN-EN ISO 1043-1
PA 6 GFR 30

V :2



PRODUCT CODE





087

GRAB HANDLE

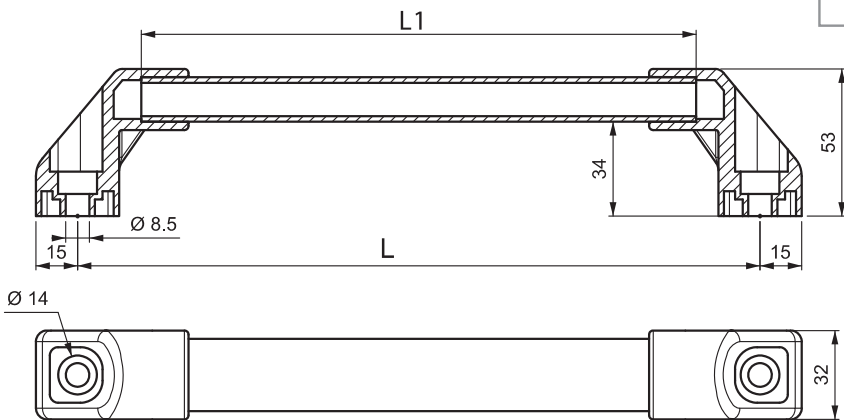


Side part
(350.02.002)

L1 mm	L mm
148	200
248	300
348	400
448	500

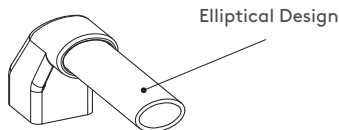
- Matte anodized aluminium
- For different colors and dimensions contact Essentra

MATERIAL
 FIXING PART: Polyamide DIN-EN ISO 1043-1 PA 6 GFR 30
 HANDLE: Aluminium

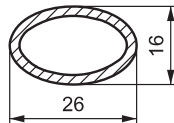


287

GRAB HANDLE



Elliptical Design

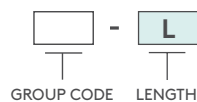


L1 mm	L mm
154	200
254	300
354	400
454	500

- Ergonomic elliptical geometry
- Matte anodized aluminium
- For different colors and dimensions contact Essentra

MATERIAL
 FIXING PART: Polyamide DIN-EN ISO 1043-1 PA 6 GFR 30
 HANDLE: Aluminium

PRODUCT CODE



HANDLES

GRAB HANDLE

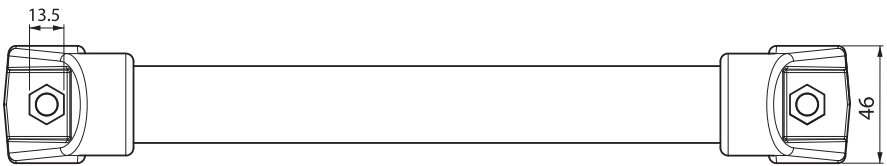
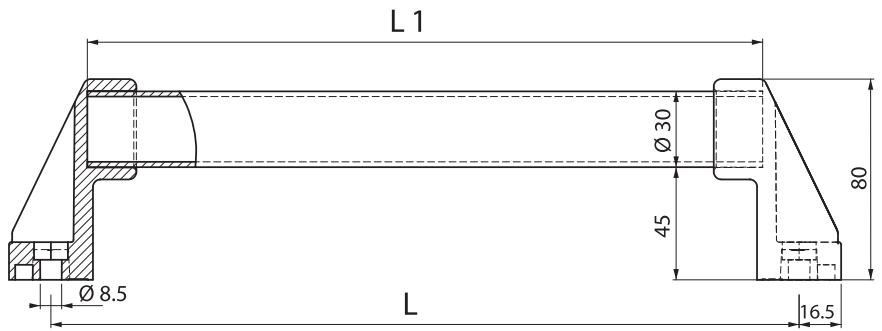
187



- Plastic-coated steel tube
- Centre supports should be used for handle lengths of 1000 mm or more
- For different colors and dimensions contact Essentra

MATERIAL

FIXING PART: Polyamide DIN-EN ISO 1043-1 PA 6 GFR 30
 HANDLE: Plastic coated steel



L1 mm	L mm
269	300
369	400
469	500
569	600
669	700
769	800
969	900



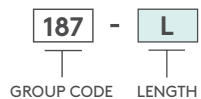
! Middle part should be used for lengths greater than 1000 mm

MIDDLE HOLDER

340.02.501



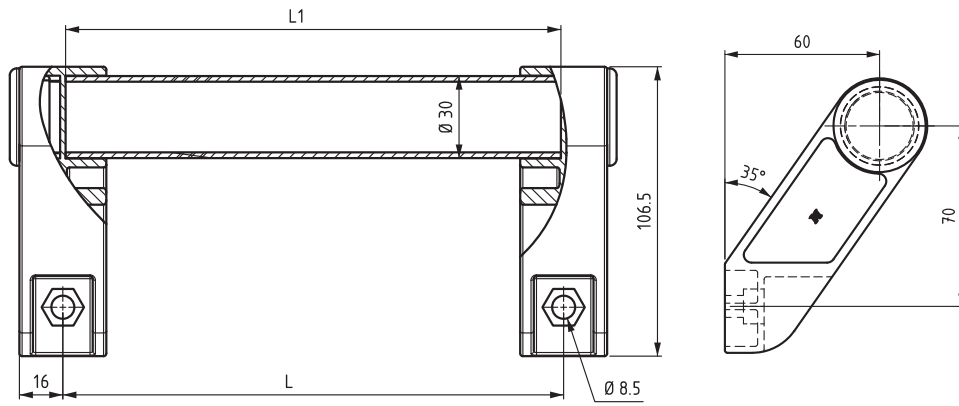
PRODUCT CODE





387

GRAB HANDLE



- Plastic-coated steel tube
- Centre supports should be used for handle lengths of 1000 mm or more
- For different colors and dimensions contact Essentra

MATERIAL

FIXING PART: Polyamide DIN-EN ISO 1043-1 PA 6 GFR 30
HANDLE: Plastic-coated steel

L1 mm	L mm
298	300
398	400
498	500
598	600
698	700
798	800
998	1000



! Middle part should be used for lengths greater than 1000 mm

350.02.028

MIDDLE HOLDER



PRODUCT CODE

387 - L

GROUP CODE LENGTH

HANDLES

GRAB HANDLE

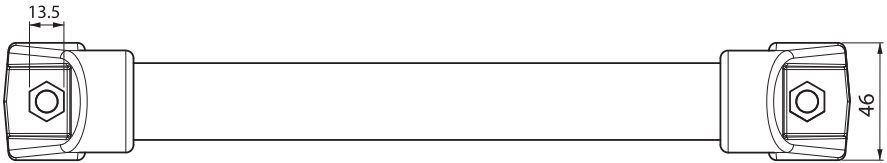
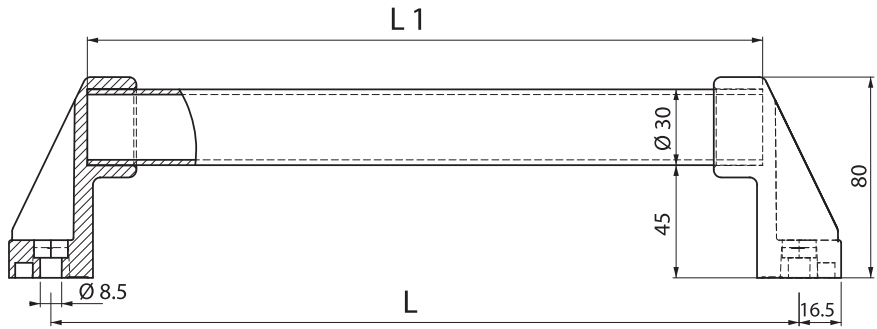
487



- Stainless steel handle
- Centre supports should be used for handle lengths of 1000 mm or more
- For different colors and dimensions contact Essentra

MATERIAL

FIXING PART: Polyamide DIN-EN ISO 1043-1 PA 6 GFR 30
 HANDLE: Stainless steel



L1 mm	L mm
269	300
369	400
469	500
569	600
669	700
769	800
969	900



! Middle part should be used for lengths greater than 1000 mm

MIDDLE HOLDER

340.02.501



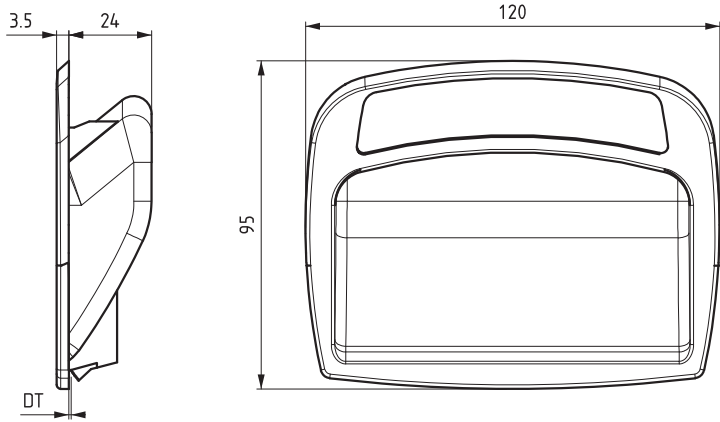
PRODUCT CODE





374

FLUSH PULL (SNAP-IN)

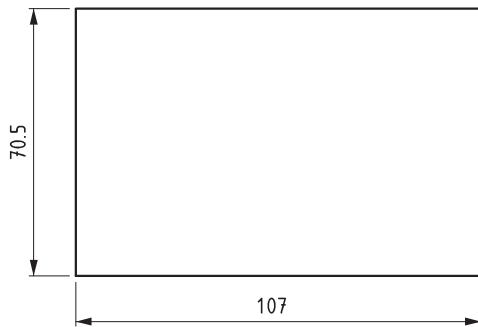


DOOR THICKNESS	DT
0.8 - 1.4 mm	15
1.5 - 2.2 mm	22



- Easy assembly by clips
- For custom logo and colors please contact Essentra

MATERIAL
ABS



Cut Out

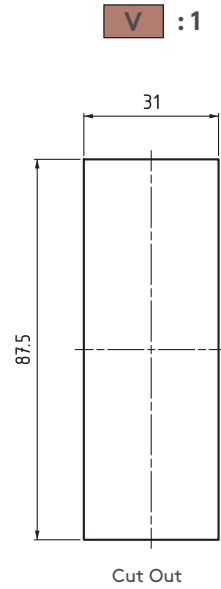
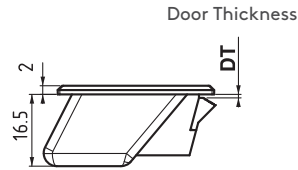
PRODUCT CODE



HANDLES

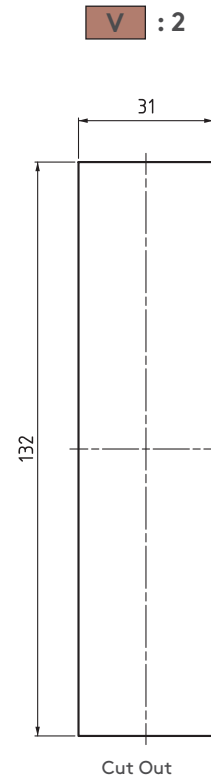
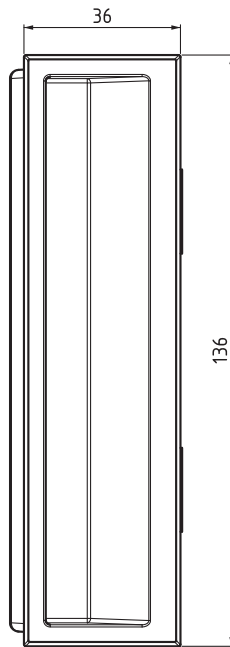
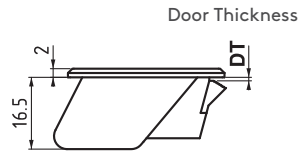
FLUSH PULL (SNAP-IN)

274



- Flush design
- Easy assembly by clips

MATERIAL
ABS



PRODUCT CODE

274 - V - DT

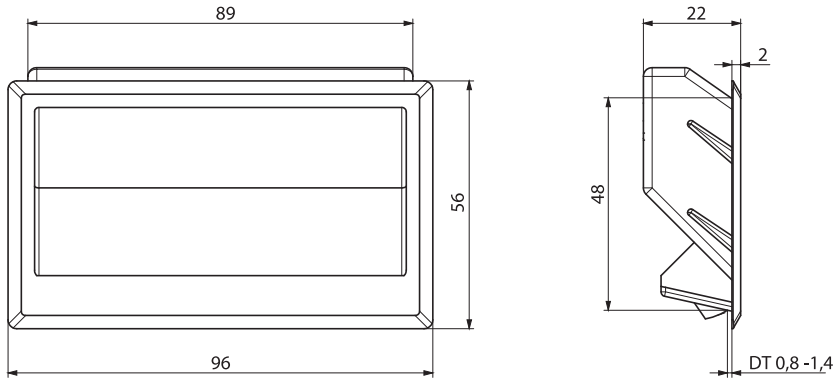
GROUP CODE VERSION DOOR THICKNESS

DOOR THICKNESS	DT
0.8 - 1.4 mm	15
1.5 - 2.2 mm	22



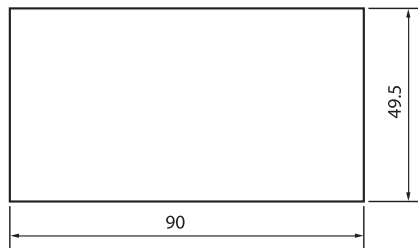
074

FLUSH PULL (SNAP-IN)



- For large door
- Easy assembly by clips

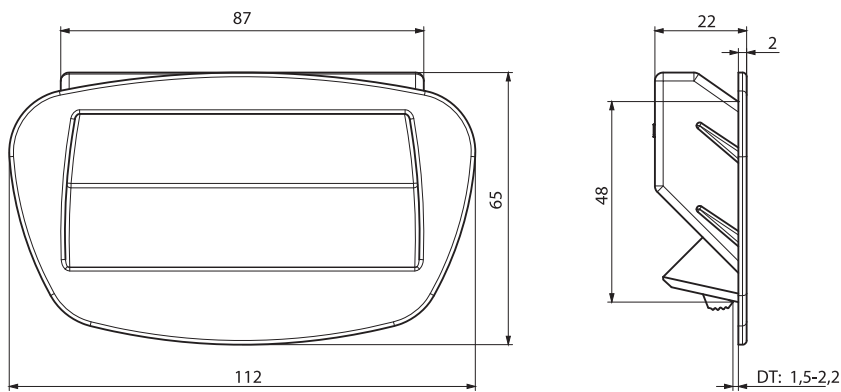
MATERIAL
ABS



Cut Out

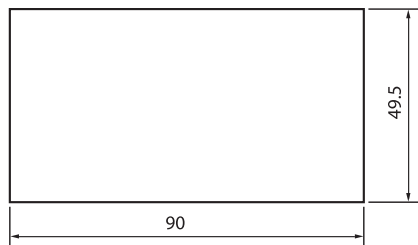
174

FLUSH PULL (SNAP-IN)



- For large doors
- Easy assembly by clips

MATERIAL
ABS



Cut Out