



ACCESSORIES



ACCESSORIES

GROUP CODE	PRODUCT NAME
2150	DRAWING POCKET (A4)
2152	DRAWING POCKET (A5)
2220	CIRCULAR INSPECTION WINDOW
2216	COUNTER SCREEN
2215	COUNTER SCREEN
24XX	EYEBOLT
240X	CAGE NUT
340.00.135	TOGGLE LATCH
340.00.133	TOGGLE LATCH
340.00.131	TOGGLE LATCH
2702	TOGGLE LATCH
2701	TOGGLE LATCH
2700	TOGGLE LATCH
276X	MINI INDEXING PLUNGERS
2750	SPRING LOADED LATCH WITHOUT STUD
2751	SPRING LOADED LATCH WITH STUD
340.02.430	SCREW
025	GLASS HINGE
320.02.16X	CABLE SHUNTING RINGS
079	COVER STAY
279	COVER STAY
179	COVER STAY
340.10.00X	ACOUSTIC SPONGE (Formed type)
340.10.00X	ACOUSTIC SPONGE (Flat type)
340.00.3XX	DIAPHRAGM GROMMETS
340.08.01X	RUBBER STOPPER
340.00.40X	RUBBER PLUG
340.08.001	DOOR HOLDBACK
340.20.0XX	DOOR BOTTOM BRUSHES (Screw type)
340.20.0XX	DOOR BOTTOM BRUSHES (Plug-in type)



PAGE

432

432

433

434

434

435

435

436

436

436

437

437

437

438

439

439

440

441

441

442

443

444

445

445

446

447

447

448

449

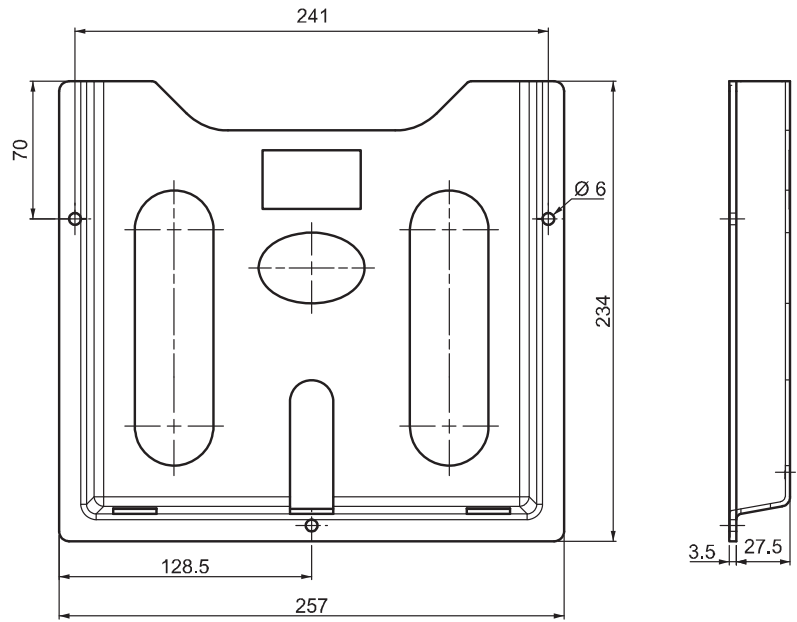
449



ACCESSORIES

DRAWING POCKET (A4)

2150



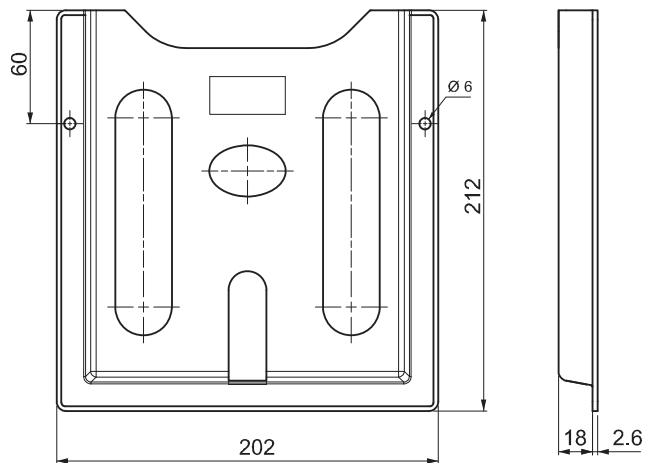
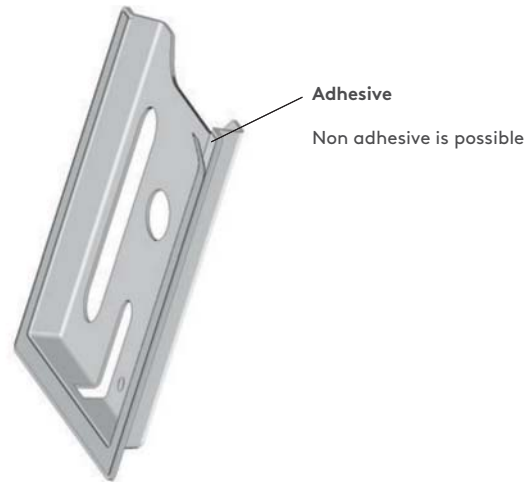
- For A4 size documents. Self adhesive. For special colours or logo, please contact Essentra

MATERIAL
Polystyrene MFI 3-4

COLOR
RAL 7035

DRAWING POCKET (A5)

2152



- For A5 size documents. Self adhesive. For special colours or logo, please contact Essentra

MATERIAL
Polystyrene MFI 3-4

COLOR
RAL 7035

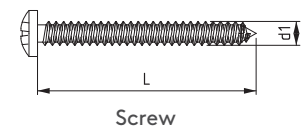
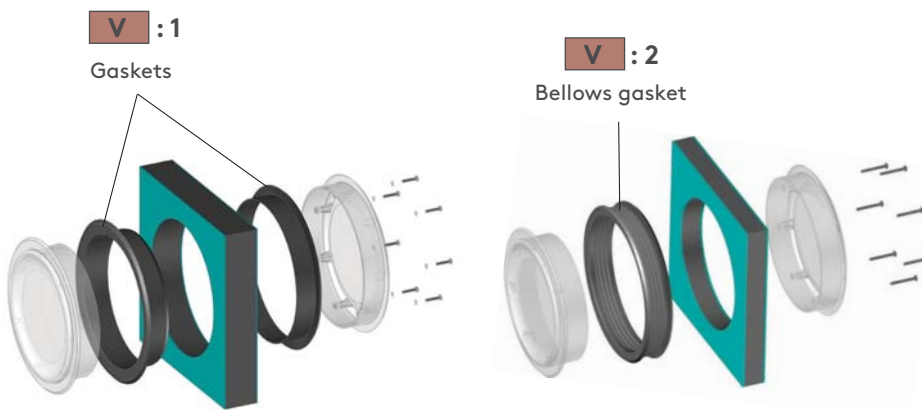
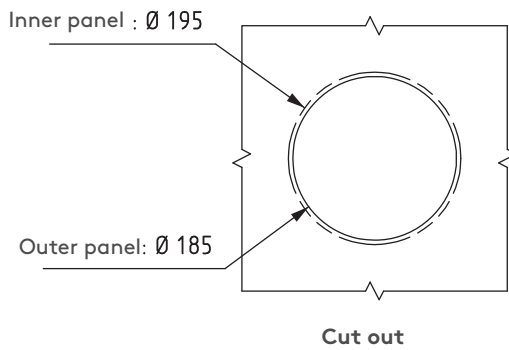
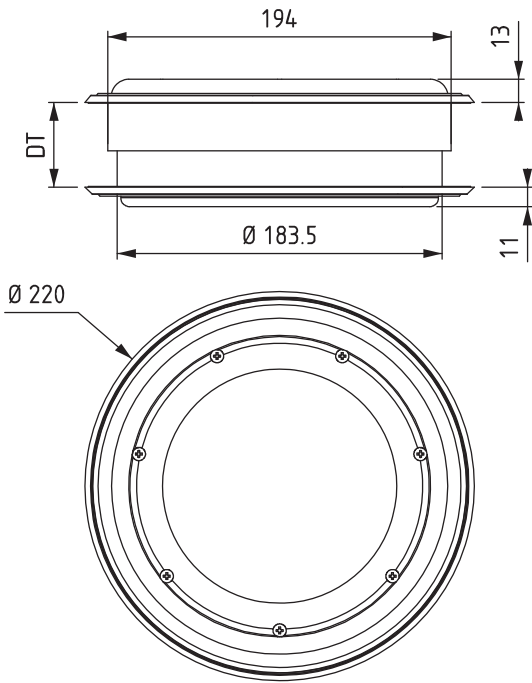
2220

CIRCULAR INSPECTION WINDOW



- Visual inspection of HVAC enclosures
- Adjustable for 30-60 mm isolated doors
- Mounting with 7 screws

MATERIAL
 WINDOW: Polycarbon
 GASKET: Termo rubber



PRODUCT CODE
 2220 - DT - V
 GROUP CODE DOOR THICKNESS VERSION

DT	D1	L	STOCK CODE
30	4.2	38	306.03.138
40	4.2	45	306.03.304
50	4.2	50	306.03.305
60	4.2	60	306.03.306

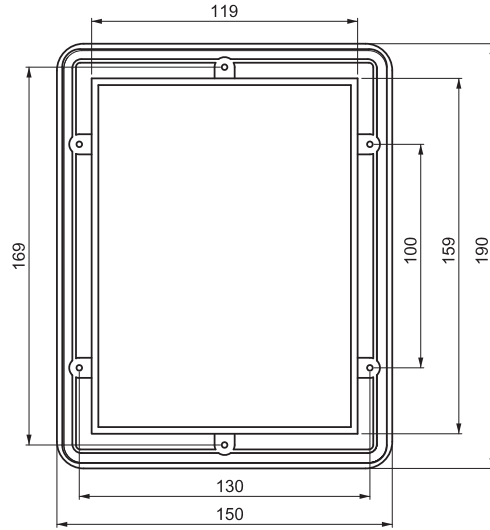
ACCESSORIES

COUNTER SCREEN

2216



- Allows counters or dials to be viewed from outside enclosure.

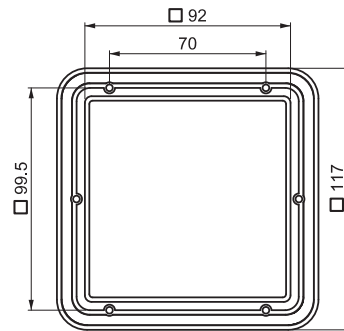


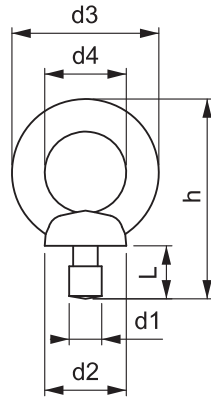
COUNTER SCREEN

2215



- Allows counters or dials to be viewed from outside enclosure.





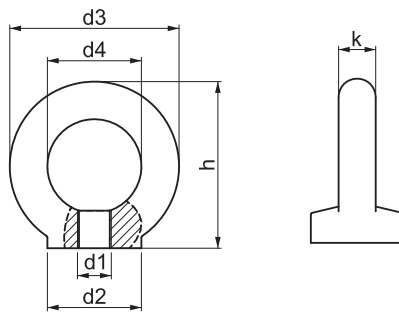
d1	Safety Load (90°)	d2 mm	d3 mm	d4 mm	h mm	L mm	Unit weight	PRODUCT CODE
M8	140	20	36	20	49.0	13.0	0.06	2451
M10	230	25	45	25	63.0	17.0	0.10	2452
M12	340	30	54	30	73.5	20.5	0.18	2453
M14	490	35	63	35	87.0	27.0	0.28	2454
M16	700	35	63	35	89.0	27.0	0.28	2455

EYEBOLT



- Enable enclosure or machine to be moved easily.

EYEBOLT

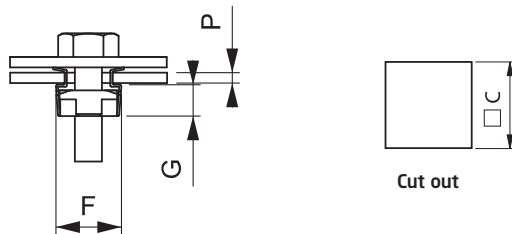


d1	Safety Load (90°)	d2 mm	d3 mm	d4 mm	h mm	k mm	Unit weight	PRODUCT CODE
M8	140	20	36	20	36	8	0.06	2461
M10	230	25	45	25	45	10	0.09	2462
M12	340	30	54	30	53	12	0.16	2463



- Enable enclosure or machine to be moved easily.

CAGE NUT



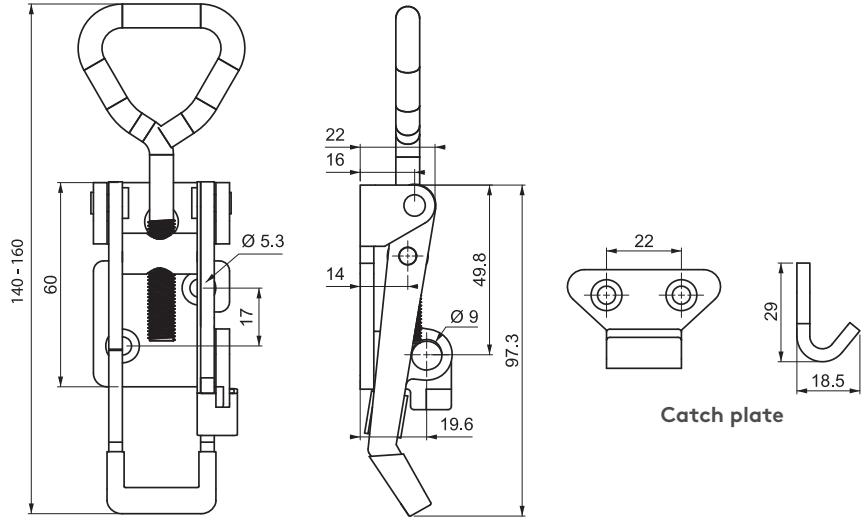
- Designed for attaching two steel plates

Screw	Nut	P	G	F	C	PRODUCT CODE
M5	11x11x4.5	1.7 ~ 2.5	36	20	49.0	2400
M6	11x11x4.5	25	45	25	63.0	2401
M8	14x14x5.5	3.3 ~ 4.1	54	30	73.5	2402

ACCESSORIES

TOGGLE LATCH

340.00.135

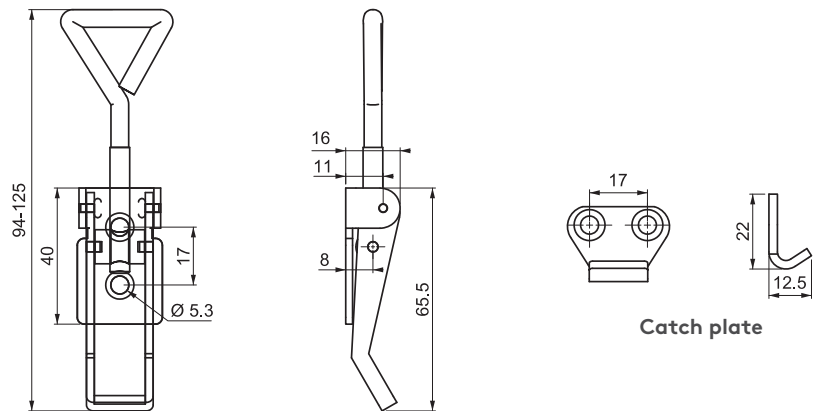


- Adjustable type draw latch.
- Padlockable version
- Used with a special catch plate

MATERIAL AND FINISH
Steel - Zinc Plated

TOGGLE LATCH

340.00.133

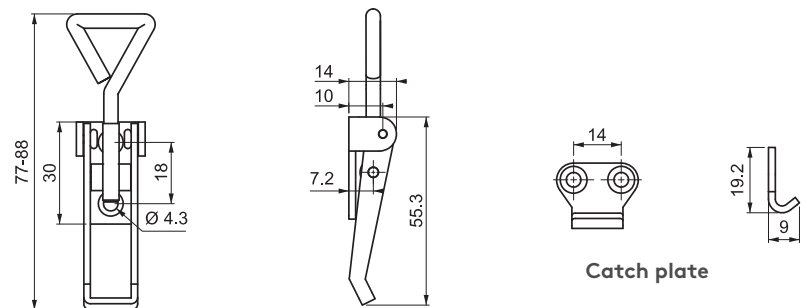


- Used for tool boxes, cabinets

MATERIAL AND FINISH
Steel - Zinc Plated

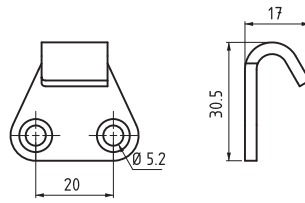
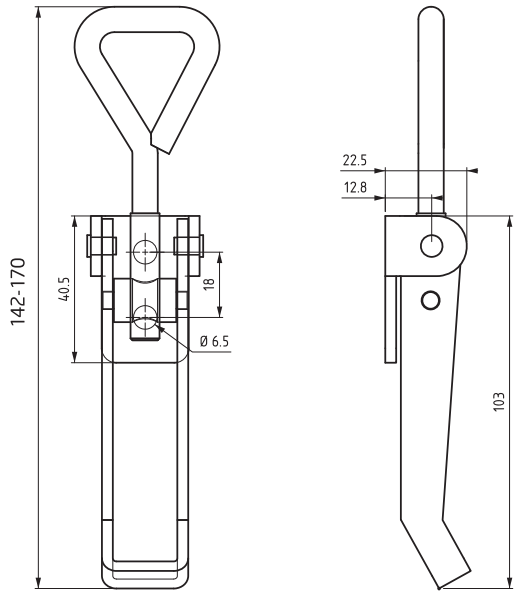
TOGGLE LATCH

340.00.131



- Used for tool boxes, cabinets

MATERIAL AND FINISH
Steel - Zinc Plated



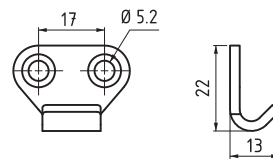
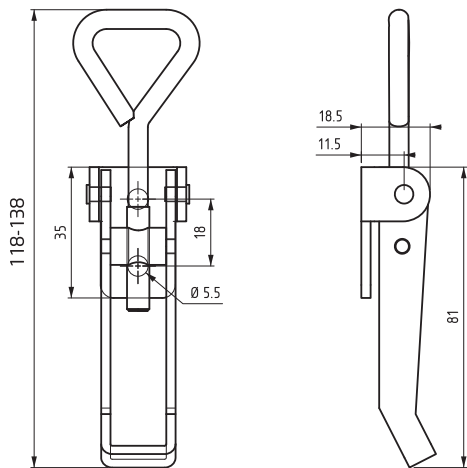
Catch plate

2702

TOGGLE LATCH



MATERIAL AND FINISH
Steel -Zinc Plated



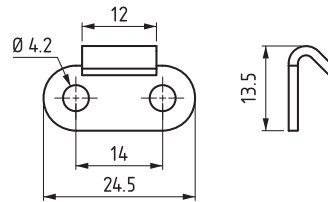
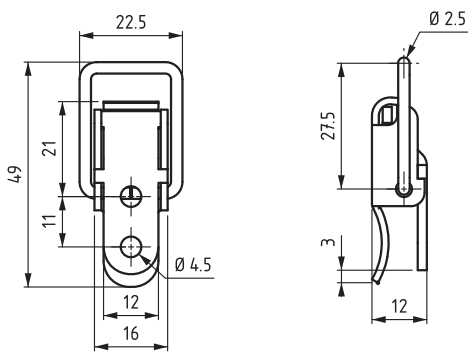
Catch plate

2701

TOGGLE LATCH



MATERIAL AND FINISH
Steel -Zinc Plated



Catch plate

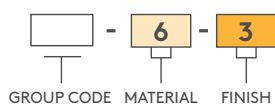
2700

TOGGLE LATCH



MATERIAL AND FINISH
Steel -Zinc Plated

PRODUCT CODE



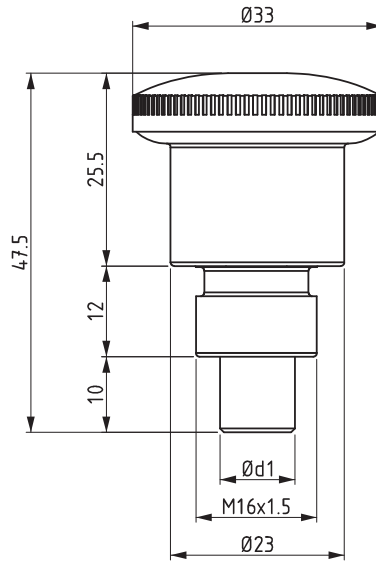
MINI INDEXING PLUNGERS



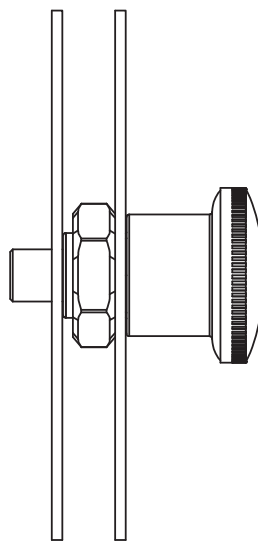
- Suitable for assembly on thin sheets.

MATERIAL

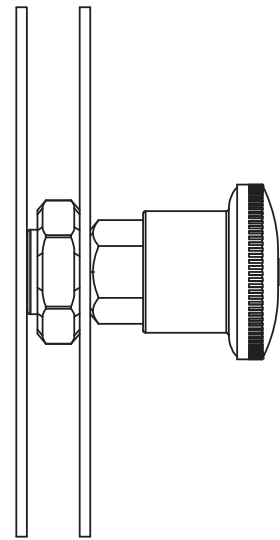
KNOB : Polyamide DIN EN ISO 1043-1 PA6 GFR 30
BODY : Steel
NUT : Steel
PIN : Stainless Steel
Finish : Zinc Plated



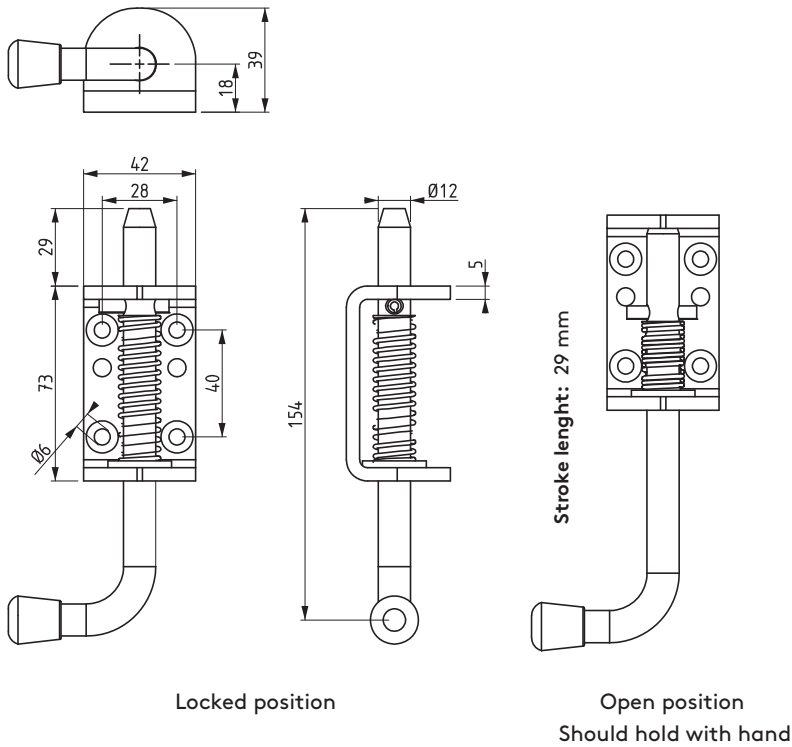
Product code	Ød1	Stroke
2760	10	10
2761	8	8
2762	6	6



Locked position



Open position



2750

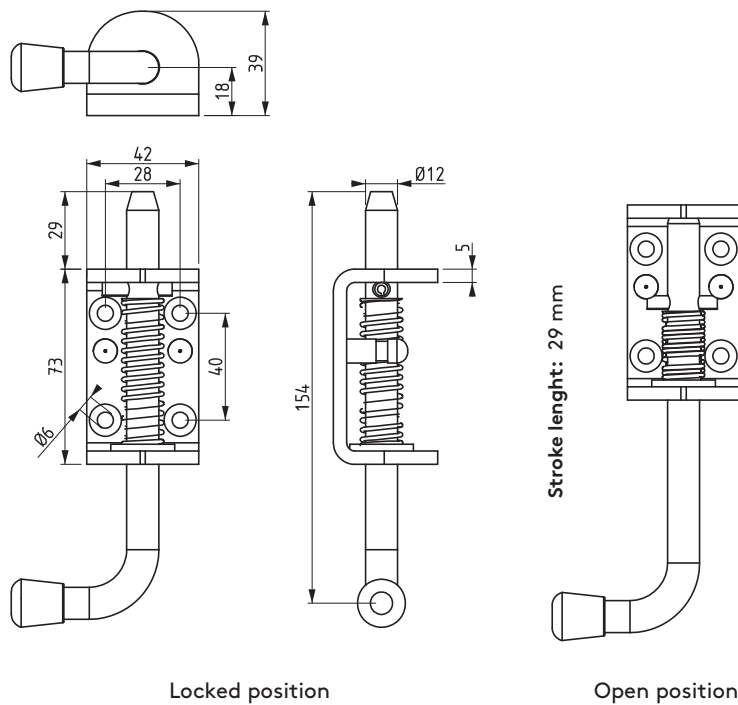
SPRING LOADED LATCH WITHOUT STUD



- Versatile galvanized steel latch great for wood or metal application.

MATERIAL

Body : Steel
Pin : Steel
Finish : Zinc Plated



2751

SPRING LOADED LATCH WITH STUD

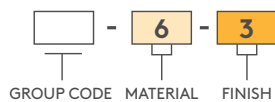


- Pin system allows for the latch to be locked in the open position.
- Non-directional.

MATERIAL

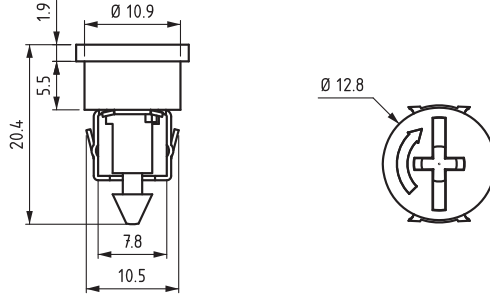
Body : Steel
Pin : Steel
Finish : Zinc Plated

PRODUCT CODE



SCREW

340.02.430



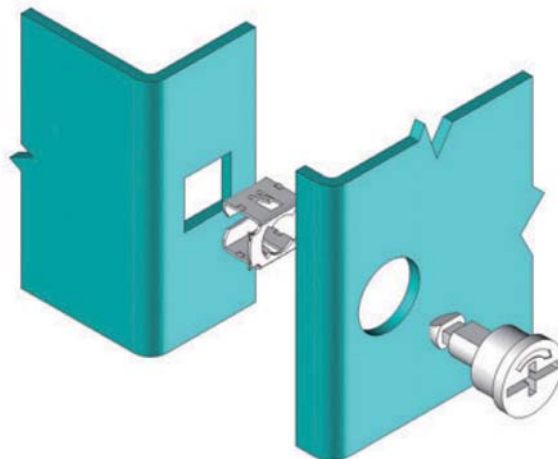
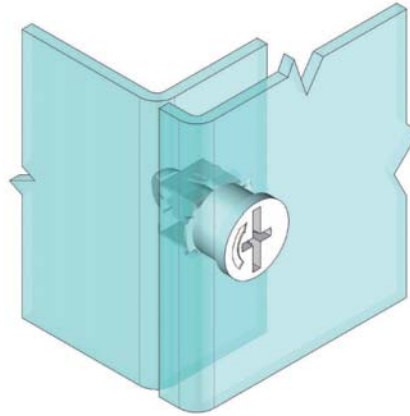
- Provides easy fixing with quarter turn

MATERIAL

SCREW: Zinc Alloy DIN-EN 1774-ZnAl4Cu11
CATCH PLATE : Steel

FINISH

Zinc plated



CABLE SHUNTING RING



- Quick fixing in a square hole by turning 45 degrees
- Mounting by M6 Screw as an option
- Install horizontally or vertically

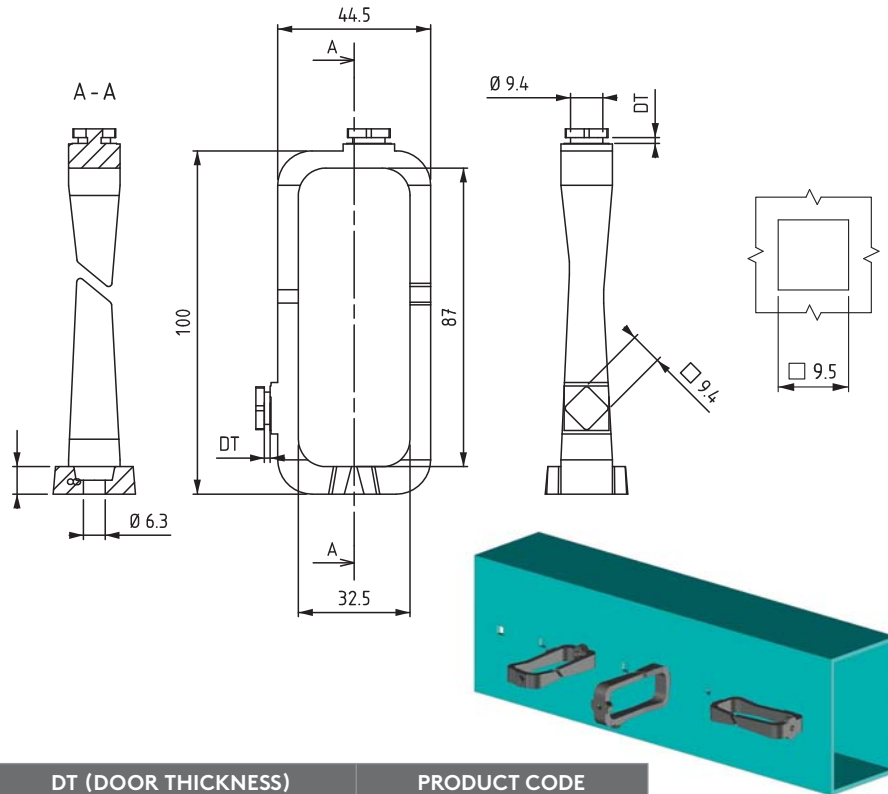
MATERIAL
PA 6 Black

GLASS HINGE



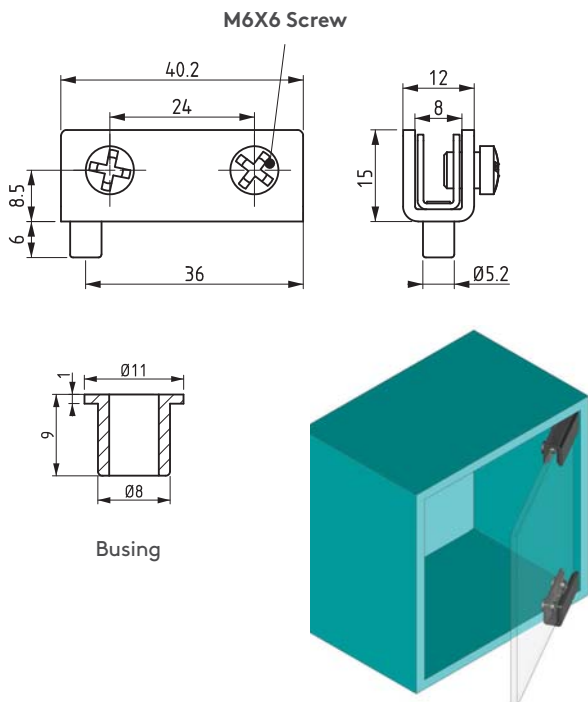
- Suitable for glass thickness max. 6 mm
- The glass is safe from damage between the plastic plates and the steel screw

MATERIAL
Body : Steel
Screw : Steel
Busing : Delrin



DT (DOOR THICKNESS)	PRODUCT CODE
1.3 - 1.5 mm thickness panel	320.02.164
1.6 - 2.0 mm thickness panel	320.02.165

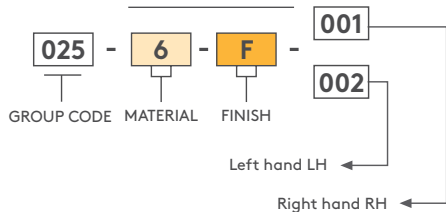
025



M6X6 Screw

Busing

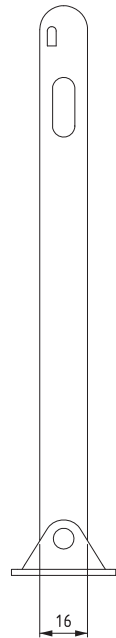
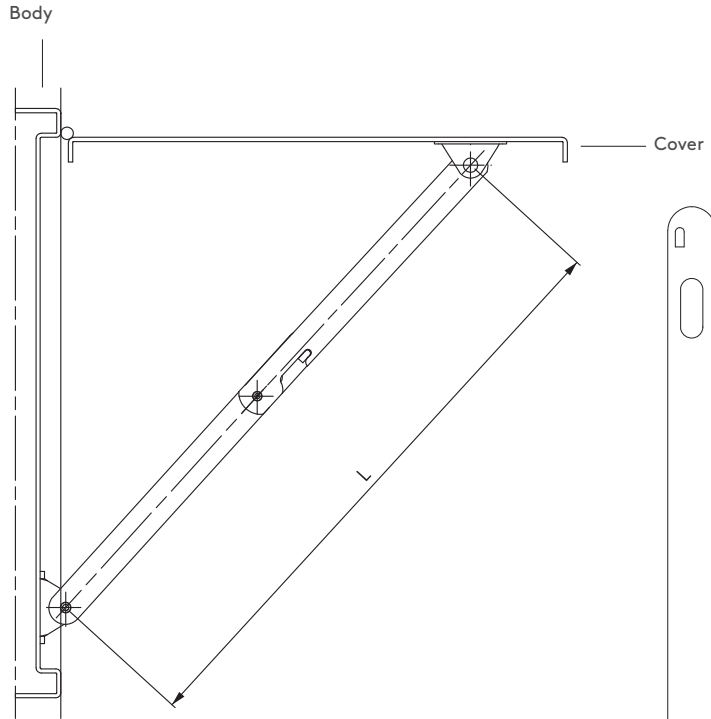
PRODUCT CODE



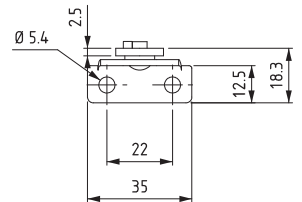
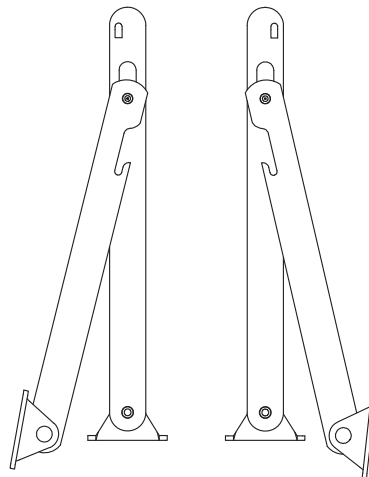
FINISH	F
Nickel	4
Black coated	2

COVER STAY

079



LEFT RIGHT

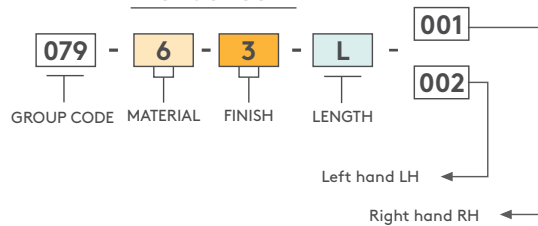


Lmm
292
202
135

MATERIAL
Steel
FINISH
Zinc plated

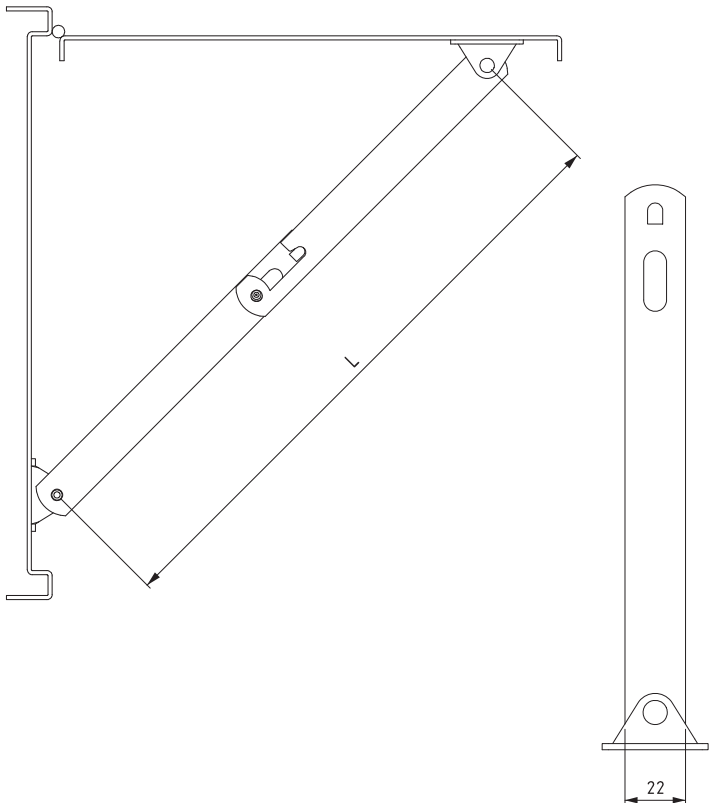
• Stainless steel version: page 520

PRODUCT CODE



279

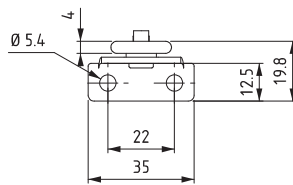
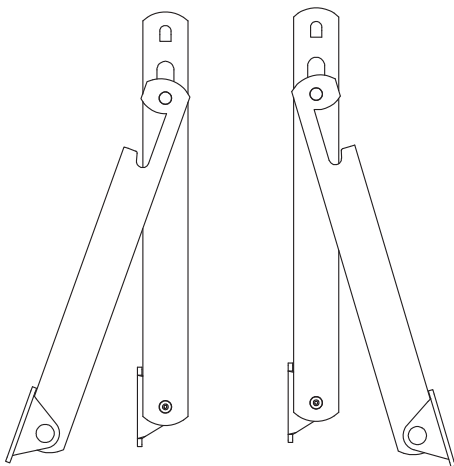
COVER STAY



- Stainless steel version: page 519
- Suitable for heavy-duty applications
- Manufactured using 4 mm thick steel

RIGHT

LEFT

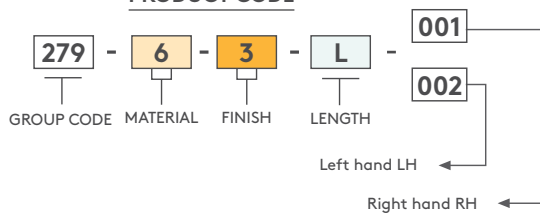


Lmm
292
202
135

MATERIAL
Steel

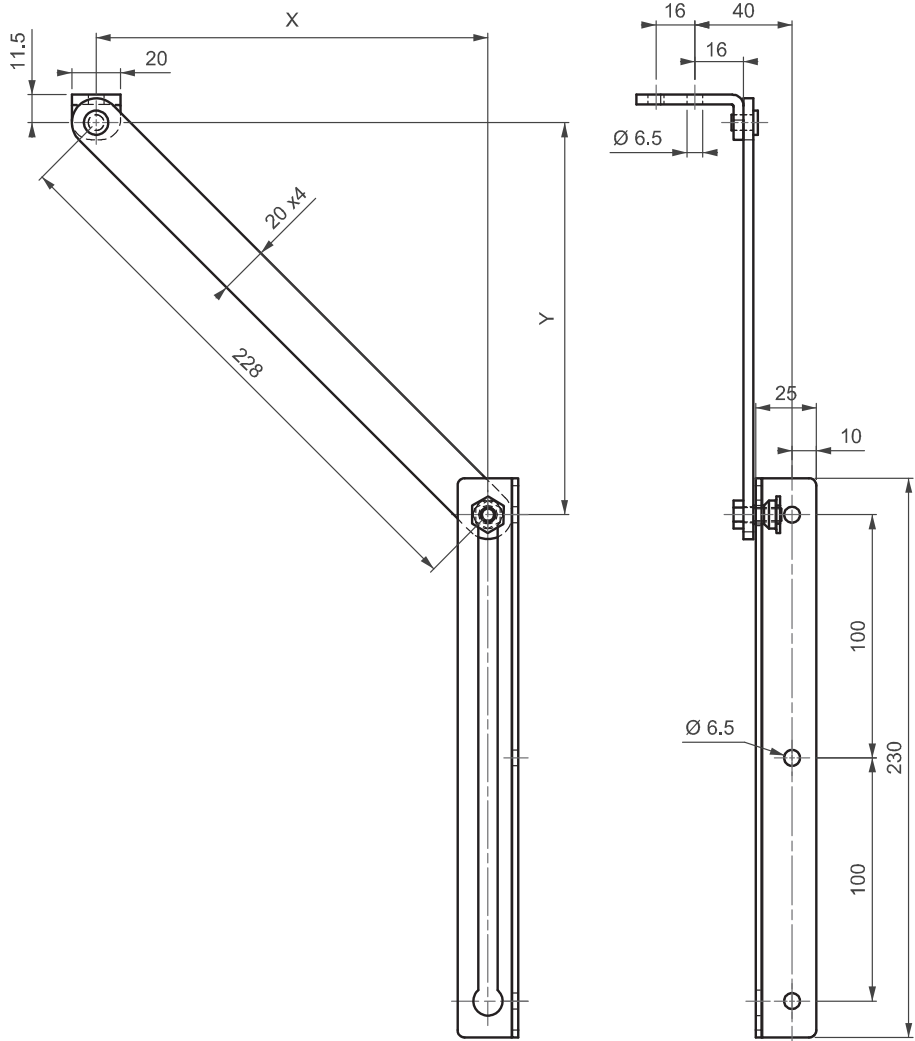
FINISH
Zinc plated

PRODUCT CODE



COVER STAY

179



- Stainless steel version: page 521
- Cover Stay with automatic lock to keep the door open
- LH and RH application is possible

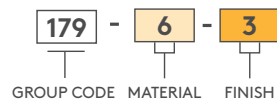
MATERIAL
Steel
FINISH
Zinc plated

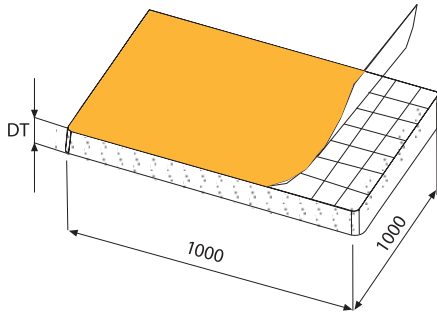
Installation dimensions

OPENING ANGLE	DIMENSIONS		MINIMAL DOOR WIDTH
	X	Y	
90°	140	180	405
105°	120	166	390
120°	110	150	375
135°	100	146	370

For other configurations:
y = X + min.40

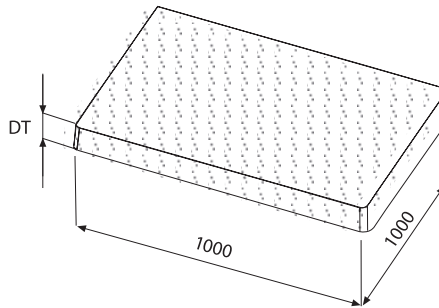
PRODUCT CODE





Self - adhesive

DT MM	PRODUCT CODE
30	340.10.046
40	340.10.047
50	340.10.048



Non - adhesive

DT MM	PRODUCT CODE
30	340.10.066
40	340.10.067
50	340.10.068

ACOUSTIC SPONGE
(FLAT TYPE)

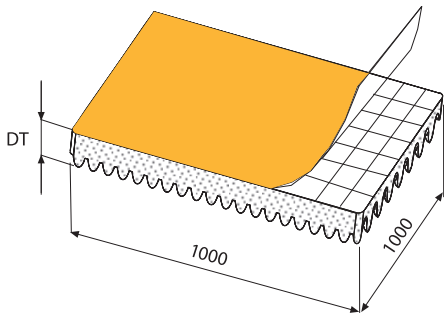


- With or without Adhesive band at back side is available
- Can be supplied as plate or Roll type.
- Provides sound and heat isolation
- Flame retardant properties
- Can be used between -30 , +130 °C
- Please contact Essentra for different sizes

MATERIAL
Polyurethane

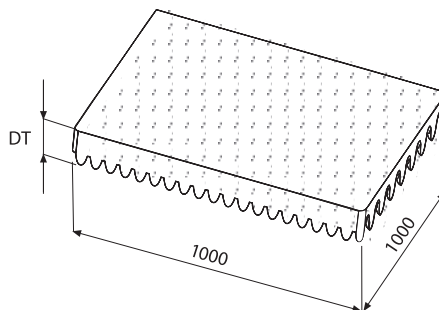
COLOR
Black

ACOUSTIC SPONGE
(FORMED TYPE)



Self - adhesive

DT MM	PRODUCT CODE
30/15	340.10.006
40/20	340.10.007
50/25	340.10.008



Non - adhesive

DT MM	PRODUCT CODE
30/15	340.10.026
40/20	340.10.027
50/25	340.10.028



- With or without Adhesive band at back side is available
- Can be supplied as plate or Roll type.
- Provides sound and heat isolation
- Flame retardant properties
- Can be used† between -30 , +130 °C
- Please contact Essentra for different sizes

MATERIAL
Polyurethane

COLOR
Black

ACCESSORIES

DIAPHRAGM GROMMETS



- For use as a blanking grommet prior to installation of cables
- The membrane is drilled while using as a wire protector
- Produced from NBR rubber
- Suitable for different wire diameters

APPLICATIONS

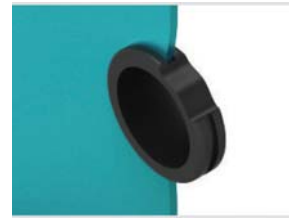
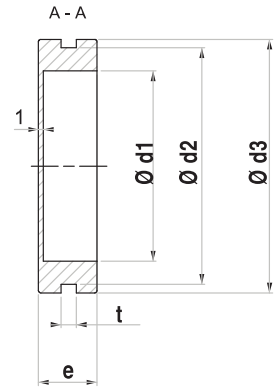
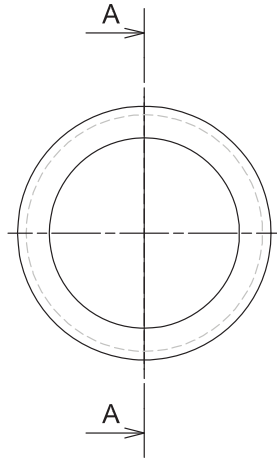
Electric panels

MATERIAL

NR Rubber, or TP

COLOR

Black



Ø D1 MM	Ø D2 MM	Ø D3 MM	T MM	E MM	PRODUCT CODE
29	36	43	3.5	11.5	340.00.370
39	48.5	52	3.2	12	340.00.371
48.5	57	63.5	3.5	14	340.00.372

DIAPHRAGM GROMMETS



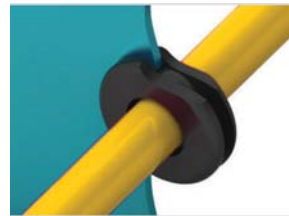
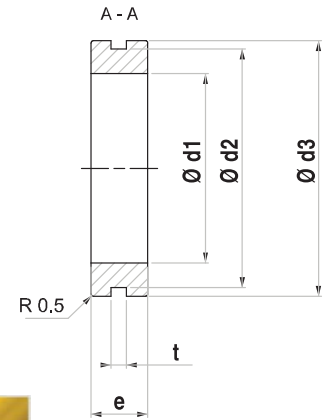
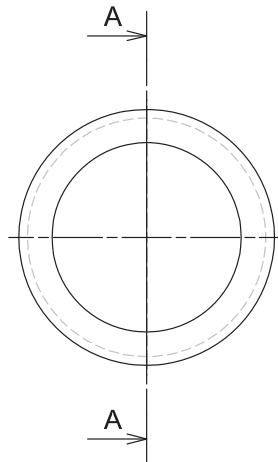
- Used for protecting wires and cables passing through the panel holes.
- Design provides easy fixing of grommet

MATERIAL

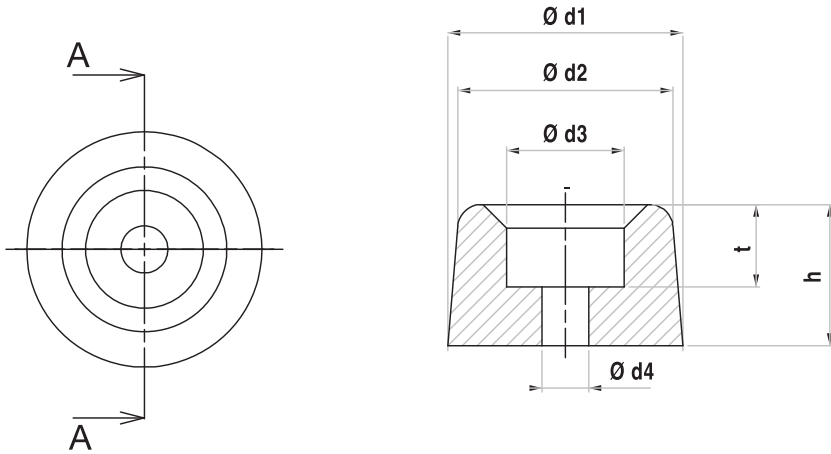
NR Rubber, or TP

COLOR

Black



Ø D1 MM	Ø D2 MM	Ø D3 MM	T MM	E MM	PRODUCT CODE
13.5	19.5	27	3.2	8	340.00.380
20	25	30	3.5	11.5	340.00.381
23.5	29	34	3.5	11.5	340.00.382
38.5	48.5	52	3.2	11.5	340.00.383



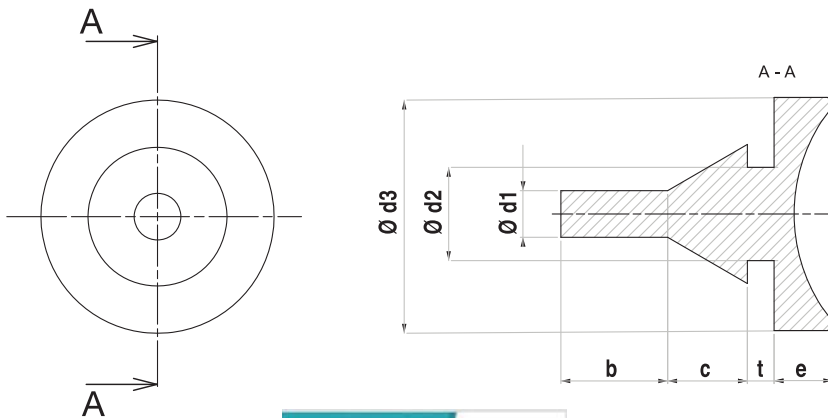
Ø D1 MM	Ø D2 MM	Ø D3 MM	Ø D4 MM	T MM	E MM	PRODUCT CODE
20	18	10	4	7	12	340.08.010
20	19	10	4	8	22.5	340.08.011
30	25	14	4	20	30	340.08.012
40	38	13	6	12	32	340.08.013

RUBBER STOPPER



- Prevents damage to doors
- Design provides easy fixing of grommet.

MATERIAL
NR Rubber, or TP
COLOR
Black



Ø D1 MM	Ø D2 MM	Ø D3 MM	T MM	B MM	C MM	E MM	PRODUCT CODE
2.5	4	14	2.5	13.5	3.5	8	340.00.400
4	7	17.5	1.5	8.5	6	5	340.00.401
4	7	18	2	8.5	6	6	340.00.402

RUBBER PLUG



- For use as a blanking grommet prior to installation of cables
- Suitable for different sheet thickness and diameters
- Design provides easy fixing

MATERIAL
NR Rubber, or TP
COLOR
Black

DOOR HOLDBACK

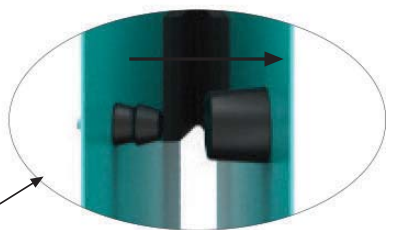
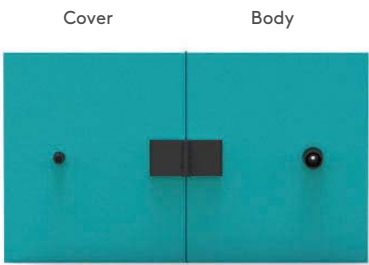
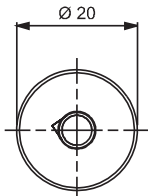
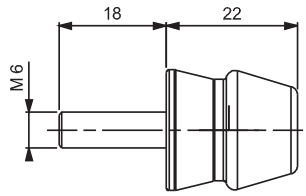
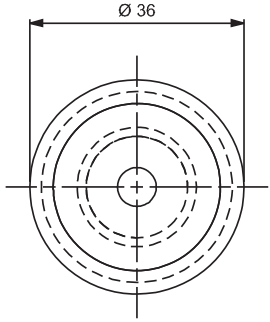
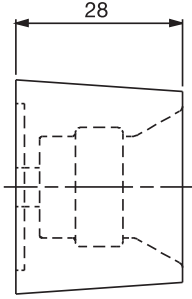
340.08.001



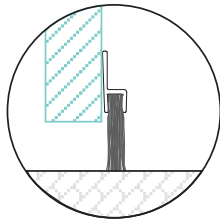
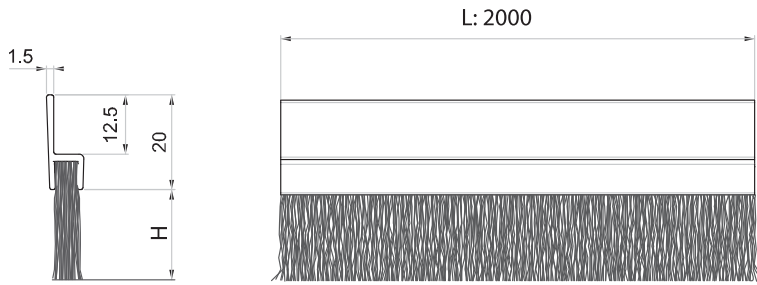
- Provides good shock absorbing properties while the door contacts with frame of the cabinet
- Keeps the door at open position and can be used instead of cover stays
- Suitable for outdoor cabinets with high corrosion resistance

MATERIAL
NBR Rubber

COLOR
Black



**DOOR BOTTOM BRUSHES
(Screw type)**

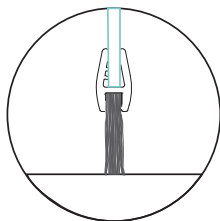
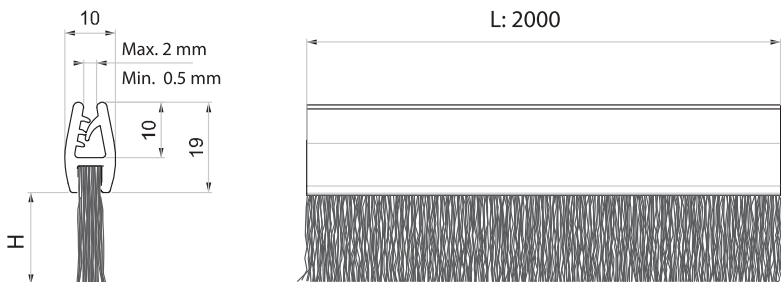


H MM	PRODUCT CODE
40	340.20.005
50	340.20.006
60	340.20.007
70	340.20.008
80	340.20.009
90	340.20.010
100	340.20.011

- Can be fixed with screw
- Fixing plate is made of Aluminium
- Do not allow dust to go through the cabinets
- Please contact Essentra for different sizes

MATERIAL
BODY : Aluminium

**DOOR BOTTOM BRUSHES
(plug-in type)**



H MM	PRODUCT CODE
40	340.20.025
50	340.20.026
60	340.20.027
70	340.20.028
80	340.20.029
90	340.20.030
100	340.20.031

- Can be fixed by plugging in to the door
- Do not allow dust to go through the cabinets
- Please contact Essentra for different sizes

MATERIAL
BODY : Plastic